

METALCARRELLI ®



Products catalogue

013.15

PROUD OF OUR PAST

THE PAST

During the winter months in 1964, to make up for the fact he wasn't working during that period, (hotel occupancy being a very seasonal affair in the area) a hotelier from Bellaria decided to occupy his time by producing equipment.

It was thus that the first Metalcarrelli trolleys were produced, as a result of years of experience gained in the hotel management business.

THE PRESENT

Today Metalcarrelli is run by Ivana Petrucci, the daughter of that far-sighted hotelier, along with Franco Picchi, who has been the company's CEO since 1970. Over 40 years of specific experience in this field make the company a veritable benchmark for the industry.

It is a dynamic business enterprise with what is considered to be one of the most comprehensive ranges of products in the sector, comprising over 2,000 articles.

THE FUTURE

Even faced with a scenario of great uncertainty and economic crisis, those who have succeeded in managing their resources well over the years can look towards the future with greater peace of mind.

And that's precisely how Metalcarrelli is preparing to deal with fresh challenges with renewed commitment, determination and reliability - characteristics that have always been our hallmark.



OVER 40 YEARS' EXPERIENCE IN THE HO.RE.CA SECTOR

We design and manufacture trolleys and other decorative service items and accessories for professional use in the most varied sectors, including hotels, restaurants, hospitals, care homes, institutions etc...

Our history is firmly rooted in the world of artisan craftsmanship.

We have developed our know-how as a result of forty years' experience in the sector and have invested in order to optimize production, becoming market leaders and benchmark partners for many professional operators.

Our catalogue comprises a remarkably vast range of items, all of which offer great value for money.

We firmly believe in the importance of "Made in Italy" and work daily with numerous clients both in Italy and overseas.

We constantly work towards improving production standards through the use of new technologies and materials and particularly focus on energy saving methods and in compliance with all health and safety regulations.

Our products are virtually indispensable for business enterprises in a variety of sectors; in the kitchens of large institutions, care homes and hospitals, in school refectories and staff canteens and all other areas of the catering and hospitality sector.



ATTENTIVE TO OUR CLIENTS' REQUIREMENTS

Our company has always been committed to achieving complete client satisfaction; indeed it is our primary objective.

We work with utmost dedication and commitment in selecting the products we offer, to ensure they address the strictest needs and most demanding requirements of the ho.re.ca sector, in drafting estimates, in our pre- and after-

sales technical assistance and in the care we take in fulfilling orders. Wherever possible, we will also happily evaluate and consider requests for special items that do not feature in our catalogue.

The trust and respect we have gained from our clients over the years has always fully rewarded our efforts and spurs us on to renew our constant commitment to achieve the highest possible level of

client satisfaction, as we trust we have accomplished in drafting this catalogue.

The Metalcarrelli brand has always been synonymous with quality and trustworthiness and is therefore the most reliable response to your requirements.



General Manager
Franco Picchi
☎ +39 0541 331891
Fax +39 0541 331561
picchi@metalcarrelli.com

Administration Manager
Ivana Petrucci
☎ +39 0541 333802
Fax +39 0541 331427
petrucci@metalcarrelli.com

Sales Department Italy
☎ +39 0541 333803
Fax +39 0541 331561
vendite@metalcarrelli.com

Sales Department Overseas
☎ +39 0541 333801
Fax +39 0541 331561
sales@metalcarrelli.com

Logistics Department
☎ +39 0541 331627
Fax +39 0541 331561
logistica@metalcarrelli.com

Technical Department
Fax +39 0541 331561
tecnico@metalcarrelli.com

Purchasing Department
☎ +39 0541 333800
Fax +39 0541 331561
acquisti@metalcarrelli.com

www.metalcarrelli.com



We have created a dynamic website, especially designed to meet our clients' requirements. Indeed it not only offers visitors the possibility to see detailed images of our products, it also contains their exact specification.

As well as the entire catalogue it is also possible to view technical manuals and price lists.

All the information you need, available with little more than a simple click!

From the home page you can access:

1. contents in English
2. internal website search engine
3. main menu
(company - news - promotional offers - events - where to find us)
4. reserved area (newsletter - dealer area - catalogue download area)
5. Metalcarrelli presentation
6. news interactive animated banner
7. promotional events interactive animated banner
8. events interactive animated banner
9. category menu



Reserved area
for operators, with access to the price list and the possibility to purchase directly from the website.


Possibility to download the catalogue in PDF format.



Registration for the newsletter
so you can keep up to date on company news.

Immediate accessibility to images and technical specification for everyone, with the possibility to download documents in PDF format for use in personalized quotations.

Carrelli inox portata pesante



Art. 1540PL

Art. 1540PL Carrelli inox per trasporto pesante - 2 piani lisci - dim. cm 108x81x93

Descrizione

Struttura in tubo di acciaio inox AISI 304 sezione cm 2,5x2,5
N° 2 piani in lamiera di acciaio inox AISI 304, lisci, saldati al telaio
Paracolpi in gomma grigia agli angoli
Ruote piroettanti a piastra, 2 girevoli con freno Ø cm 12,5
Portata complessiva kg 200
Dim. max ingombro - cm 108x81x93

Accessori


- AB01 Bacinella portarifiuti in PVC
- AB02 Bacinella portarifiuti in PVC
- SE230 Set 4 ruote elastiche, di cui 2 con freno



METALCARRELLI

Carrelli di servizio in metallo

Carrelli portabagagli



Art. 1920

Art. 1921R Carrelli portabagagli, struttura ottoneata, moquette bordeaux

Descrizione

Struttura in tubo di acciaio ottoneato, protetto da vernice trasparente.
Ripiano rivestito in moquette, colore bordeaux.
Puntello esterno protetto da paracolpi in gomma.
Ruote Ø cm 16, due fisse e due piroettanti con freno.
» Set ruote piroettanti elastiche Ø cm 16 in gomma grigia morbida di cui n.2 con freno, per pavimenti scottati (OPTIONAL).
Dim. max ingombro - cm 798x69x189

Accessori

- SE280 Set 4 ruote elastiche, di cui 2 con freno
- SE310 Set 4 ruote elastiche, di cui 2 con freno



METALCARRELLI

Porta stoffe, Portabagagli, Reggivelivelli, Azio delimita corsie

As well as the opportunity to navigate the product area to obtain more technical information and visualize enlarged images, it is also possible to explore the area dedicated to news, featuring new products that do not

appear on the catalogue. The products in this area also have fully-accessible technical information and photos.

1



WOODEN SERVICE TROLLEYS

Guéridon	12-21
Service trolleys - wood - series 6060	22-25
Service trolleys - wood - series 6050	26-27
Service trolleys - wood - series 6100	28-32
Liqueur trolleys	33
Service trolleys - wood - series 6800	34-39
Service trolleys - wood - series 65	40-59
Flambé trolleys	60-63
Bain-Marie trolleys	64-65

2



METAL SERVICE TROLLEYS

Service trolleys - stainless steel / wood	68-69
Service trolleys - chrome-plated / plastic coated	70-72
Cutlery trolleys	73
Clearing trolleys	74-75
Deep tray shelves	76-83
Pressed shelves	84-89
Heavy duty trolleys	90-91

3



WAITER'S STATIONS

Waiter's stations - wood - series 1600	94-99
Waiter's stations - wood - series 8500	100-105

4



DISPLAY UNITS (HEATED/CHILLED)

Heated/chilled display cases	110-113
Refrigerated trolleys	114-119
Hot and chilled buffet mobile counters	120-145
Drop-in wells	146-149
Stainless steel refrigerated trolleys	150-151

5



HOTPLATES AND BAIN-MARIE TROLLEYS

Countertop hotplates - Infrared lamps	154-161
Stainless steel Gastronorms	162-163
Countertop Bain-Marie units	164-167
Bain-Marie trolleys	168-219
Drinks dispensers	220-221

6



TABLEWARE HANDLING TROLLEYS

Plate warmer cabinets	224-225
Countertop / Wheeled plate stackers	226-229
Plate trolleys	230-232
Plate dispensers and lowerators	233
Crockery and glassware draining trolleys	234-237
Wall-mounted drainers	238
Tray/lid draining trolleys	239
Dishwasher rack trolleys	240-241

7



TRAY/PAN RACKING TROLLEYS

GN - EN tray trolleys	244-253
Universal tray trolleys	254-263
Container trolleys	266-276
Tray/pan mobile cupboards	277-293

8



LUGGAGE RACKS AND CARTS, POSTS FOR BARRIER SYSTEMS AND SHOE POLISHERS

Birdcage luggage carts	296-301
Garment rails	302
Luggage carts with garment rails	303-307
Luggage racks	308-311
Posts for barrier systems	312-313
Shoe polishers	314

9



ROOM SERVICE TABLES AND AND HOUSEKEEPING TROLLEYS

Room service tables	318-321
Insulated food carriers and food carrier trolleys	322-323
Mini bar restocking trolleys	324-325
Chambermaid/Housekeeping trolleys	326-337
Linen trucks	338-343

10



WASTE BINS, WASTE PAPER BINS, ASHTRAYS, UMBRELLA STANDS, PAPER TOWEL DISPENSERS

Wheeled waste collectors	346-349
Waste sack-holders	350-351
Waste bins - recycling range	352-357
Waste paper bins	358-367
Litter bins and ashtray top litter bins	368-372
Ashtrays	373-375
Umbrella stands	376-377
Paper towel dispensers/Paper towel roll holders	378-379

11



HANDLING, STORAGE, PLATFORM TRUCKS AND ROLL CAGES

Roll cages _____	382-385
Platform trucks _____	386-391
Changing room lockers _____	392-393
Modular shelving systems - snap-in type _____	394-395
Modular shelving systems - bolted type _____	396-397

12



SPARE PARTS







Castors/Wheels _____	400-403
Domes _____	404-407
Sneeze guards _____	408-409
Electrical components _____	410
Heating elements - Bumpers _____	411
Miscellaneous _____	412-413

General sales terms and conditions _____	414
--	-----

SYMBOLS

	Heated: heated wells or compartments		Light: provided with lighting system
	Refrigerated: refrigerated wells or compartments		Capacity: tray capacity
	Mixed: refrigerated and heated wells or compartments		Capacity: bakery pan capacity
	Ambient: ambient wells or compartments		Loading capacity: max loading capacity of a trolley expressed in kg
	Heating temperature: operating temperature range		Plate diameter: max plate diameter
	Refrigeration temperature: operating temperature range		Gas powered: powered by gas
	Ventilated: ventilation system for heated elements		Electrically powered: powered by electricity

CAPTIONS

	Finish/Colour: finish or available colours		Numbered photo or drawing
	Resilient castors/wheels for uneven floors and outdoor use		Packaging dimensions
			Item supplied: Assembled (A) Disassembled (D)
			Net and gross weight

OPTIONAL: solutions to be input at the time of placing the order.

ACCESSORY: can be purchased later too.



WOODEN SERVICE
TROLLEYS

GUÉRIDON

- Stainless steel square tube frame
- Melamine-faced shelves
- Top shelf fitted with full wrap-around rubber bumper
- Swivel castors, ø 9.5cm



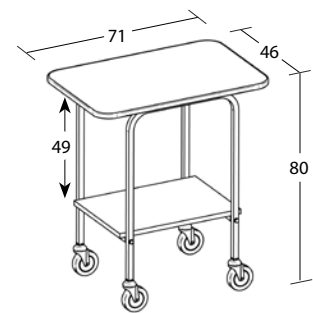
Cherry wood



Wenge



Item 1095I



12

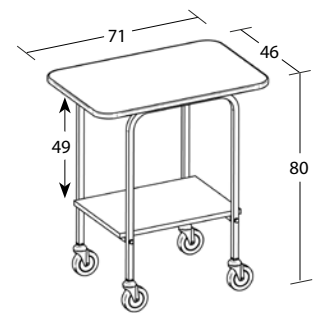
Item	Finish	Tiers	Max dim. (cm)
1095I	Cherry wood	2	71x46x80
1095IW	Wenge	2	71x46x80

Options	Description	For item
S1130	1 Set with 2 chrome-plated braked castors	1095I - 1095IW
SE130	2 Set with 4 resilient castors (2 with brake)	1095I - 1095IW





Item 1095IW



GUÉRIDON

- Chrome-plated steel round tube frame
- Melamine-faced shelves
- Top shelf fitted with full wrap-around rubber bumper
- Swivel castors, ø 9.5cm



Cherry wood



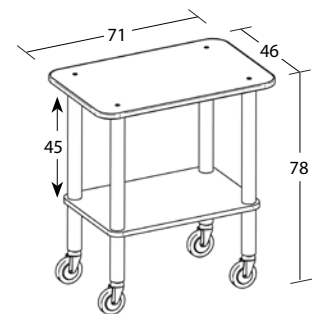
Black



Wenge



Item 1095C



14

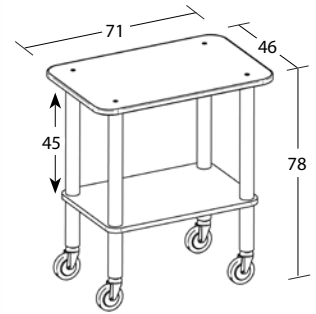
Item	Finish	Tiers	Max dim. (cm)
1095C	Cherry wood	2	71x46x78
1095CN	Black	2	71x46x78
1095CW	Wenge	2	71x46x78

Options	Description	For item
S1120	1 Set with 2 chrome-plated braked castors	1095C - 1095CN - 1095CW
SE120	2 Set with 4 resilient castors (2 with brake)	1095C - 1095CN - 1095CW

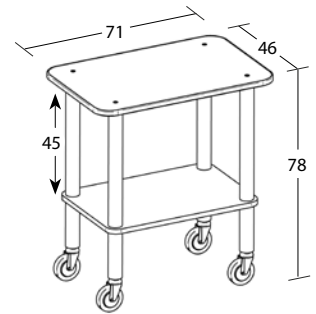




Item 1095CN + S1120



Item 1095CW



GUÉRIDON

- Brass-plated or black round tube frame
- Melamine-faced shelves
- Top shelf fitted with full wrap-around rubber bumper
- Swivel castors, \varnothing 9.5cm



Cherry wood



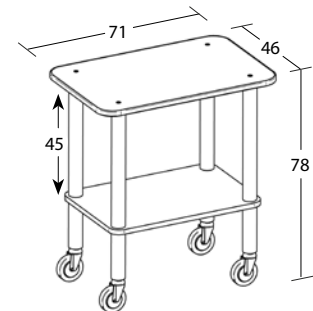
Black



Wenge



Item 1080



16

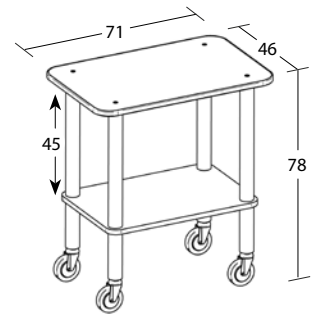
Item	Trolley finish	Tiers	Leg finish	Max dim. (cm)
1080	Black	2	Black	71x46x78
1088	Cherry wood	2	Brass-plated	71x46x78
1088N	Black	2	Brass-plated	71x46x78
1088W	Wenge	2	Brass-plated	71x46x78

Options	Description	For item
S1110	- Set with 2 brass-plated braked castors	1088 - 1088N - 1088W
S1120	1 Set with 2 chrome-plated braked castors	1080
SE110	2 Set with 4 resilient castors (2 with brake)	1088 - 1088N - 1088W
SE120	2 Set with 4 resilient castors (2 with brake)	1080

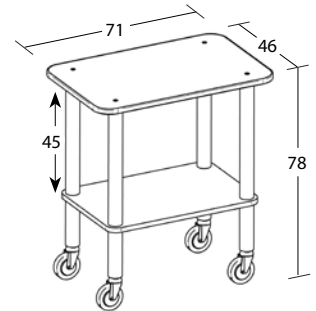




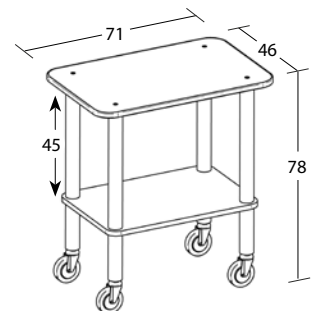
Item 1088



Item 1088N + S1110



Item 1088W



GUÉRIDON

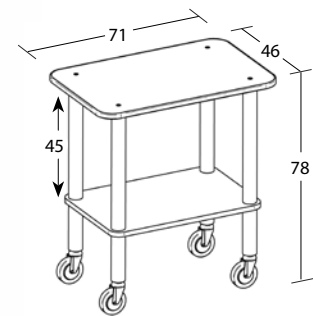
- Solid wood frame
- Melamine-faced shelves
- Top shelf fitted with full wrap-around rubber bumper
- Swivel castors, ø 9.5cm



Cherry wood



Wenge



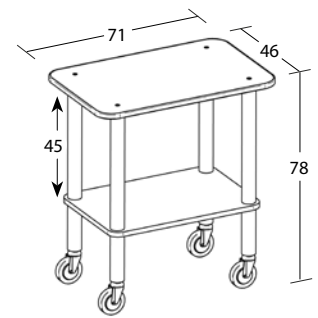
Item 1095S

18

Item	Finish	Tiers	Max dim. (cm)
1095S	Cherry wood	2	71x46x78
1095SW	Wenge	2	71x46x78

Options	Description	For item
S1110	- Set with 2 brass-plated braked castors	1095S
S1120	1 Set with 2 chrome-plated braked castors	1095SW
SE110	2 Set with 4 resilient castors (2 with brake)	1095S
SE120	2 Set with 4 resilient castors (2 with brake)	1095SW





Item 1095SW



GUÉRIDON

- Solid wood frame
- Veneered MDF shelves
- Bottom shelf with raised edge
- Swivel castors, ø 10cm



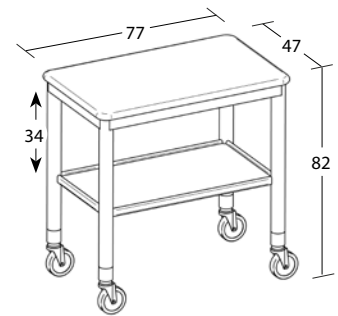
Walnut



Wenge



Item 6000



20

Item	Finish	Tiers	Max dim. (cm)
6000	Walnut	2	77x47x82
6000W	Wenge	2	77x47x82

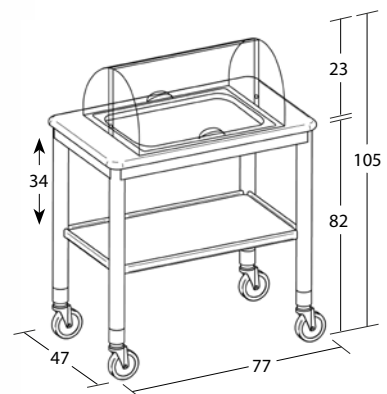
Options	Description	For item
S1140	1 Set with 2 chrome-plated braked castors	6000 - 6000W
SE140	2 Set with 4 resilient castors (2 with brake)	6000 - 6000W



- Solid wood frame
- Veneered MDF shelves
- Top shelf with roll-top dome opening on both sides and one 1/1GN 20mm-deep stainless steel tray
- Bottom shelf with raised edge
- Swivel castors, ø 10cm



Item 6000CW



Item	Finish	Tiers	Max dim. (cm)
6000C	Walnut	2	77x47x105
6000CW	Wenge	2	77x47x105

Options	Description	For item
S1140	1 Set with 2 chrome-plated braked castors	6000C - 6000CW
SE140	2 Set with 4 resilient castors (2 with brake)	6000C - 6000CW



SERIES 6060

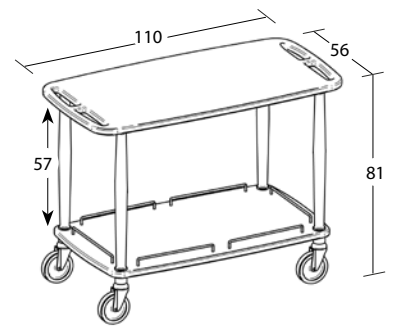
- Solid wood frame
- Veneered MDF shelves
- Push handles built in the top shelf
- Rails on lower shelves
- Swivel castors, ø 12.5cm



Cherry wood



Wenge

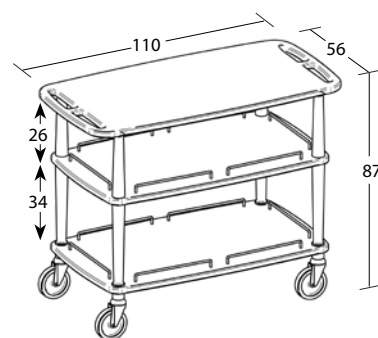


Item 6060 + S1180

Item	Finish	Tiers	Shelf dim. (cm)	Max dim. (cm)
6060	Cherry wood	2	94.5x55	110x56x81
6060W	Wenge	2	94.5x55	110x56x81
6062	Cherry wood	3	94.5x55	110x56x87
6062W	Wenge	3	94.5x55	110x56x87

Options	Description	For item
S1180	1 Set with 2 braked castors	All
SE180	2 Set with 4 resilient castors (2 with brake)	All





Item 6062W + S1180

Accessories		Description	For item
A0096	3	Sliding PVC cutlery drawer	All
A0035	4	Sliding plate support, cherry wood stained	6060 - 6062
A0035W	5	Sliding plate support, wenge stained	6060W - 6062W
R0822	6	12-bottle rack, chrome-plated steel wire	All
R0824	6	16-bottle rack, chrome-plated steel wire	All



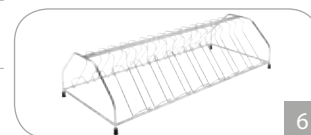
3



4



5



6

SERIES 6060

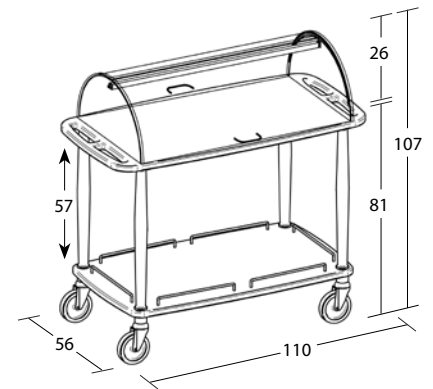
- Solid wood frame
- Veneered MDF shelves
- Push handles built in the top shelf
- Acrylic dome opening on both sides
- Rails on lower shelves
- Swivel castors, ø 12.5cm



Cherry wood



Wenge



Item 6060C + S1180

Item	Finish	Tiers	Shelf dim. (cm)	Max dim. (cm)
6060C	Cherry wood	2	94.5x55	110x56x107
6060CW	Wenge	2	94.5x55	110x56x107
6062C	Cherry wood	3	94.5x55	110x56x113
6062CW	Wenge	3	94.5x55	110x56x113

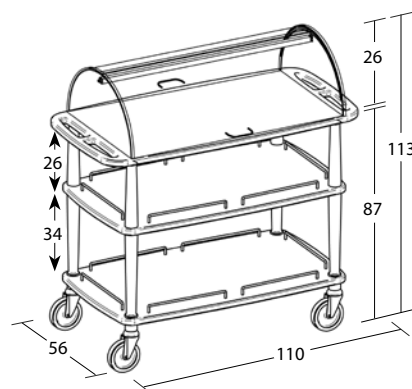
Options	Description	For item
---------	-------------	----------

S1180	1 Set with 2 braked castors	All
-------	-----------------------------	-----



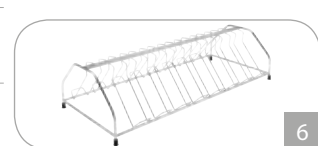
SE180	2 Set with 4 resilient castors (2 with brake)	All
-------	---	-----





Item 6062CW + S1180

Accessories		Description	For item
A0096	3	Sliding PVC cutlery drawer	All
A0035	4	Sliding plate support, cherry wood stained	6060C - 6062C
A0035W	5	Sliding plate support, wenge stained	6060CW - 6062CW
R0822	6	12-bottle rack, chrome-plated steel wire	All
R0824	6	16-bottle rack, chrome-plated steel wire	All



SERIES 6050

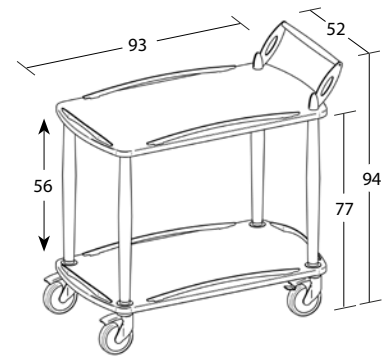
- Solid wood frame
- Plywood shelves
- Rails and details in aluminum painted metal protected by clear coat
- Swivel castors (2 with brake), ø 12.5cm



Cherry wood



Wenge

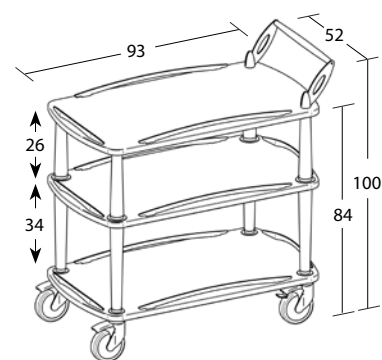


Item 6050

Item	Finish	Tiers	Shelf dim. (cm)	Max dim. (cm)
6050	Cherry wood	2	93x52	97x52x94
6050W	Wenge	2	93x52	97x52x94
6052	Cherry wood	3	93x52	97x52x100
6052W	Wenge	3	93x52	97x52x100

Options	Description	For item
SE170	1 Set with 4 resilient castors (2 with brake)	All





Item 6052W



SERIES 6100

- Solid wood frame
- Plywood shelves with edges and handles in solid wood
- Sliding plate support
- Swivel castors, ø 10cm



Walnut



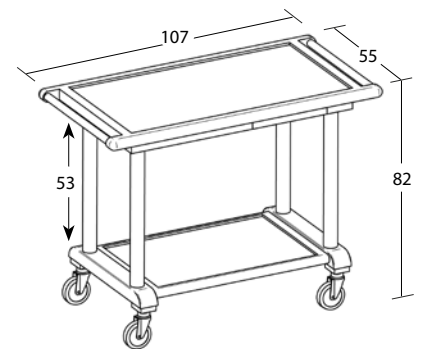
Wenge



Plate support, standard



Item 6100

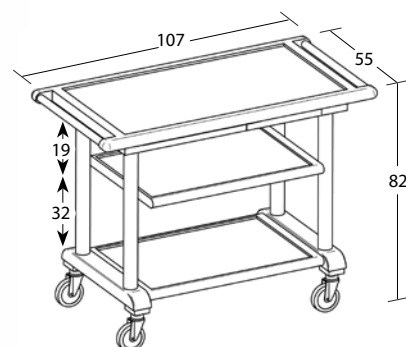


Item	Finish	Tiers	Max dim. (cm)
6100	Walnut	2	107x55x82
6100W	Wenge	2	107x55x82
6102	Walnut	3	107x55x82
6102W	Wenge	3	107x55x82

Options	Description	For item
S1140	1 Set with 2 braked castors	All
SE140	2 Set with 4 resilient castors (2 with brake)	All



Plate support, standard



Item 6102W



Walnut



Wenge



Item 6100



Item 6102W

Item		Finish	Description	Max dim. (cm)
6100A	1	Walnut	Sweet/cheese display set with dome	93x53x28
6100AW	-	Wenge	Sweet/cheese display set with dome	93x53x28
6100B	2	Walnut	Set for appetizers - dome and trays	93x53x35
6100BW	-	Wenge	Set for appetizers - dome and trays	93x53x35
6100C	5	Walnut	Bottle holder with raised edge and rail	93x53x28
6100CW	-	Wenge	Bottle holder with raised edge and rail	93x53x28
6100E	6	Walnut	Top 13-bottle rack, wood	88x47x20
6100EW	-	Wenge	Top 13-bottle rack, wood	88x47x20
6100F	6	Walnut	Lower 9-bottle rack, wood	66x47x20
6100FW	-	Wenge	Lower 9-bottle rack, wood	66x47x20



Item 6100A
Sweet/cheese display set including a solid wood board with semi-cylindrical dome opening on both sides



Item 6100C
Bottle holder with raised edge and rail



Item 6100B
Set for appetizers including a solid wood shelf with semi-cylindrical dome opening on both sides, and 65mm-deep GN trays: no. 5 x 1/6 + no. 5 x 1/3



Item 6100E
Top 13-bottle rack, wood
Item 6100F
Lower 9-bottle rack, wood



Item 6100G
Set for appetizers, sweet and cheeses - refrigeration available -, including a solid wood shelf with semi-cylindrical dome opening on both sides, grid and housing for eutectic plates (Item 6100H)



Item R0822
Lower 12-bottle rack, chrome-plated steel wire
Item R0824
Top 16-bottle rack, chrome-plated steel wire



Item 6100H
Set of 16 eutectic plates suitable for Item 6100G

Item		Finish	Description	Max dim. (cm)
6100G	3	Walnut	Set for cold appetizers	93x53x35
6100GW	-	Wenge	Set for cold appetizers	93x53x35
6100H	4	-	Set with 16 eutectic plates	-
R0822	7	-	Lower 12-bottle rack, steel wire	70x40x22
R0824	7	-	Top 16-bottle rack, steel wire	90x40x22

SERIES 6100

- Solid wood frame
- Plywood shelves with edges and handles in solid wood
- Acrylic semi-cylindrical dome opening on both sides
- Sliding plate support
- Swivel castors, ø 10cm



Walnut



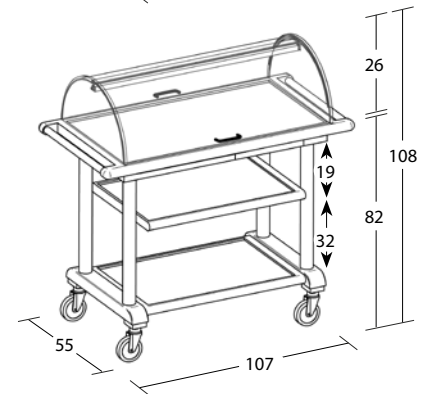
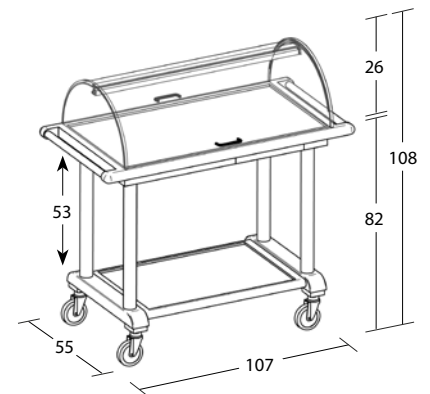
Wenge



Plate support, standard



Item 6200



Item	Finish	Tiers	Max dim. (cm)
6200	Walnut	2	107x55x108
6200W	Wenge	2	107x55x108
6202	Walnut	3	107x55x108
6202W	Wenge	3	107x55x108

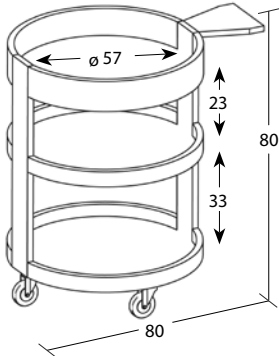
Options	Description	For item
S1140	1 Set with 2 braked castors	All
SE140	2 Set with 4 resilient castors (2 with brake)	All



- Solid wood frame
- Round plywood shelves
- Sliding glass support
- Swivel castors, ø 8cm



Item 6310



Item	Finish	Tiers	Max dim. (cm)
6310	Walnut	3	ø 59x80
6310W	Wenge	3	ø 59x80



SERIES 6800 - 70x45cm

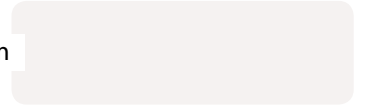
- Square section solid wood legs
- MDF shelves
- Matt lacquer finish
- Push handle built in the top shelf
- Sliding plate support (depending on model)
- Top shelf with roll-top dome opening on both sides, and one 1/1GN 20mm-deep stainless steel tray (depending on model)
- Swivel castors, ø 9.5cm, 2 with brake



Charcoal



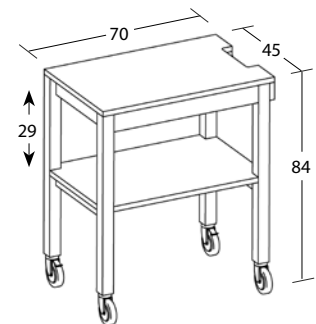
Cream



Dove grey



Item 6830A



34

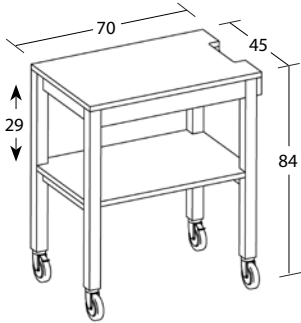
Item	Lacquer finish	Sliding plate support	Dome	Max dim. (cm)
6830A	Charcoal	No	No	70x45x84
6830P	Cream	No	No	70x45x84
6830T	Dove grey	No	No	70x45x84
6832A	Charcoal	Yes	No	70x45x84
6832P	Cream	Yes	No	70x45x84
6832T	Dove grey	Yes	No	70x45x84
6834A	Charcoal	Yes	Roll-top, 1/1 GN	70x45x107
6834P	Cream	Yes	Roll-top, 1/1 GN	70x45x107
6834T	Dove grey	Yes	Roll-top, 1/1 GN	70x45x107

Options	Description	For item
SE120	1 Set with 4 resilient castors (2 with brake)	All

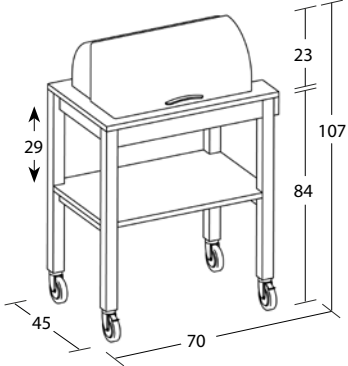




Item 6832A



Item 6834A



SERIES 6800 - 100x45cm

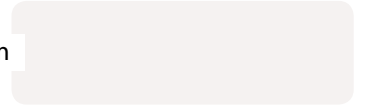
- Square section solid wood legs
- MDF shelves
- Matt lacquer finish
- Push handle built in the top shelf
- Sliding plate support (depending on model)
- Top shelf with roll-top dome opening on both sides, and one 1/1GN 20mm-deep stainless steel tray (depending on model)
- Swivel castors, \varnothing 9.5cm, 2 with brake



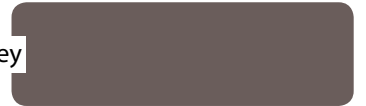
Charcoal



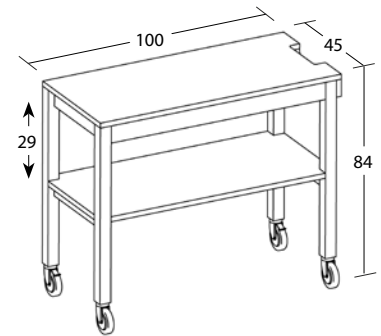
Cream



Dove grey



Item 6840A



36

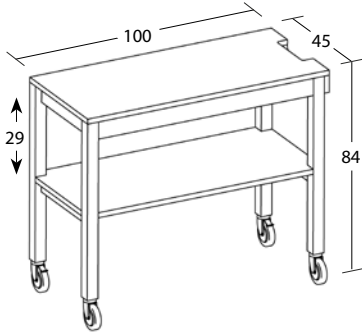
Item	Lacquer finish	Sliding plate support	Dome	Max dim. (cm)
6840A	Charcoal	No	No	100x45x84
6840P	Cream	No	No	100x45x84
6840T	Dove grey	No	No	100x45x84
6842A	Charcoal	Yes	No	100x45x84
6842P	Cream	Yes	No	100x45x84
6842T	Dove grey	Yes	No	100x45x84
6844A	Charcoal	Yes	Roll-top, 1/1 GN	100x45x107
6844P	Cream	Yes	Roll-top, 1/1 GN	100x45x107
6844T	Dove grey	Yes	Roll-top, 1/1 GN	100x45x107

Options	Description	For item
SE120	1 Set with 4 resilient castors (2 with brake)	All

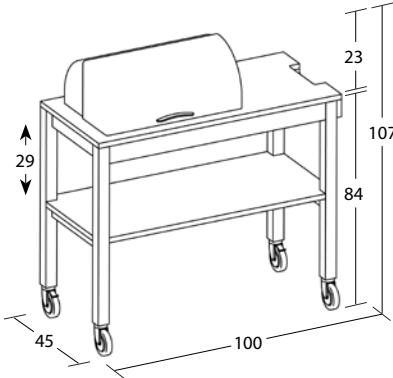




Item 6842A



Item 6844A



SERIES 6800 - 100x56cm

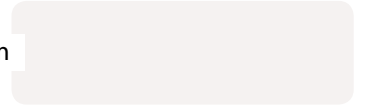
- Square section solid wood legs
- MDF shelves
- Matt lacquer finish
- Push handle built in the top shelf
- Sliding plate support (depending on model)
- Top shelf with acrylic semi-cylindrical dome opening on both sides (depending on model)
- Swivel castors, \varnothing 9.5cm, 2 with brake



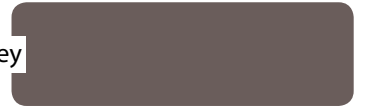
Charcoal



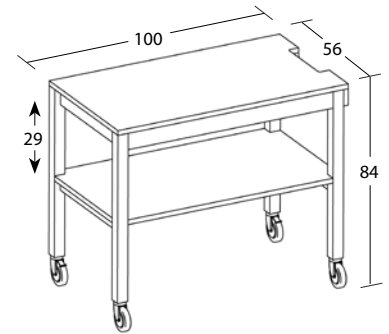
Cream



Dove grey



Item 6850A



38

Item	Lacquer finish	Sliding plate support	Dome	Max dim. (cm)
6850A	Charcoal	No	No	100x56x84
6850P	Cream	No	No	100x56x84
6850T	Dove grey	No	No	100x56x84
6852A	Charcoal	Yes	No	100x56x84
6852P	Cream	Yes	No	100x56x84
6852T	Dove grey	Yes	No	100x56x84
6854A	Charcoal	Yes	Semi-cylindrical	100x56x110
6854P	Cream	Yes	Semi-cylindrical	100x56x110
6854T	Dove grey	Yes	Semi-cylindrical	100x56x110

Options



Description

For item

SE120

1

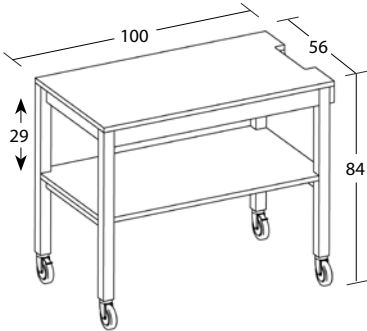
Set with 4 resilient castors (2 with brake)

All

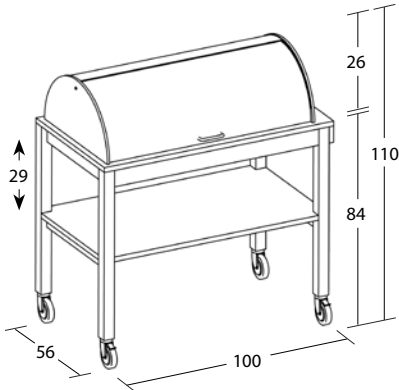




Item 6852A



Item 6854A



SERIES 65 - 70x55cm

- Square section solid wood legs
- Removable veneered wood top shelf with solid wood frame
- Veneered wood lower shelves
- Push handles
- Sliding plate support
- Hooded swivel castors, ø 10cm, 2 with brake



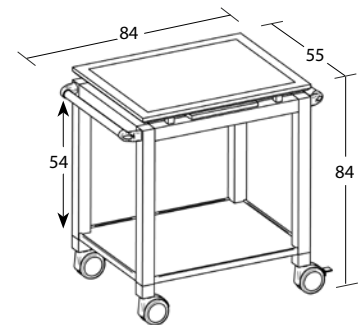
Oak



Wenge



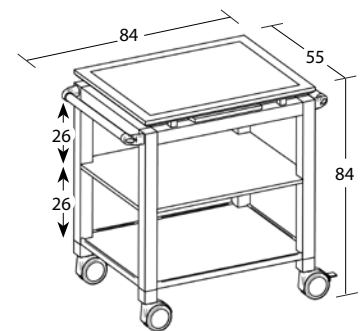
Item 65-07002



40



Item 65-07006



Item	Finish	Tiers	Shelf dim. (cm)	Max dim. (cm)
65-07002	Wenge	2	70x55	84x55x84
65-07002R	Oak	2	70x55	84x55x84
65-07006	Wenge	3	70x55	84x55x84
65-07006R	Oak	3	70x55	84x55x84

Options	Description	For item
SE160	1 Set with 4 resilient castors (2 with brake)	All



- Square section solid wood legs
- Removable veneered wood top shelf with solid wood frame
- Veneered wood lower shelves
- Push handles
- Sliding plate support
- 4-compartment cutlery drawer on runners
- Hooded swivel castors, ø 10cm, 2 with brake



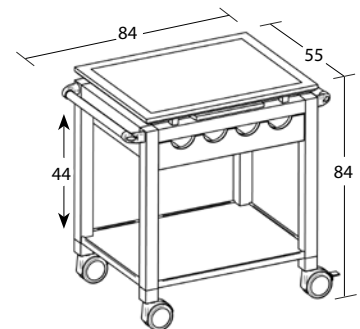
Oak



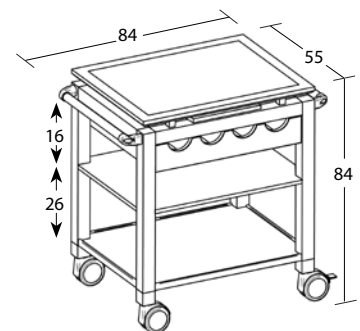
Wenge



Item 65-07004



Item 65-07008



Item	Finish	Tiers	Shelf dim. (cm)	Max dim. (cm)
65-07004	Wenge	2	70x55	84x55x84
65-07004R	Oak	2	70x55	84x55x84
65-07008	Wenge	3	70x55	84x55x84
65-07008R	Oak	3	70x55	84x55x84

Options	Description	For item
SE160	1 Set with 4 resilient castors (2 with brake)	All



SERIES 65 - 70x55cm

- Square section solid wood legs
- Top shelf in stardust marble finished with anti-stain treatment and solid wood frame
- Veneered wood lower shelves
- Push handles
- Sliding plate support
- Hooded swivel castors, ø 10cm, 2 with brake



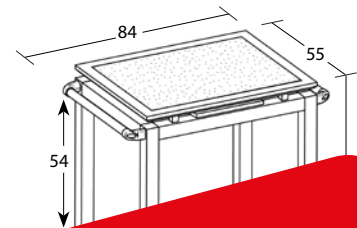
Oak



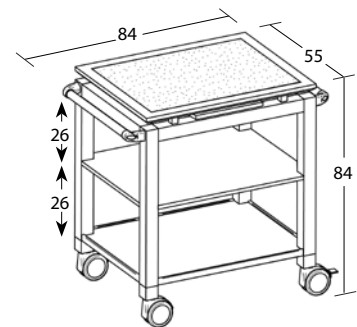
Wenge



Item 65-07012



Item 65-07016



Item	Finish	Tiers	Shelf dim. (cm)	Max dim. (cm)
65-07012	Wenge	2	70x55	84x55x84
65-07012R	Oak	2	70x55	84x55x84
65-07016	Wenge	3	70x55	84x55x84
65-07016R	Oak	3	70x55	84x55x84

Options	Description	For item
SE160	1 Set with 4 resilient castors (2 with brake)	All



- Square section solid wood legs
- Top shelf in stardust marble finished with anti-stain treatment and solid wood frame
- Veneered wood lower shelves
- Push handles
- Sliding plate support
- 4-compartment cutlery drawer on runners
- Hooded swivel castors, ø 10cm, 2 with brake



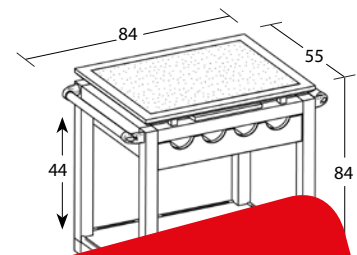
Oak



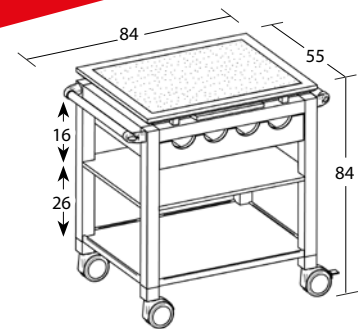
Wenge



Item 65-07014



Item 65-07018



DISCONTINUED
all the items

Item	Finish	Tiers	Shelf dim. (cm)	Max dim. (cm)
65-07014	Wenge	2	70x55	84x55x84
65-07014R	Oak	2	70x55	84x55x84
65-07018	Wenge	3	70x55	84x55x84
65-07018R	Oak	3	70x55	84x55x84

Options	Description	For item
SE160	1 Set with 4 resilient castors (2 with brake)	All



SERIES 65 - 70x55cm

- Square section solid wood legs
- Removable veneered wood top shelf with solid wood frame and acrylic semi-cylindrical dome opening on both sides
- Veneered wood lower shelves
- Push handles
- Sliding plate support
- 4-compartment cutlery drawer on runners
- Hooded swivel castors, ø 10cm, 2 with brake



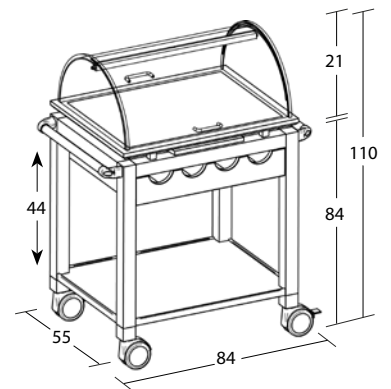
Oak



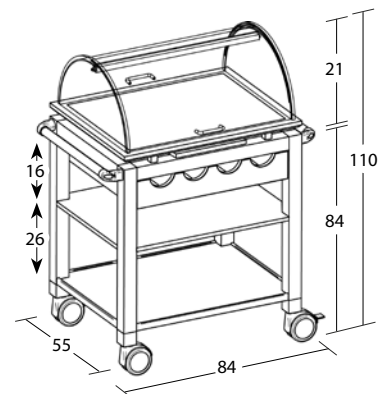
Wenge



Item 65-07022



Item 65-07024



Item	Finish	Tiers	Shelf dim. (cm)	Max dim. (cm)
65-07022	Wenge	2	70x55	84x55x110
65-07022R	Oak	2	70x55	84x55x110
65-07024	Wenge	3	70x55	84x55x110
65-07024R	Oak	3	70x55	84x55x110

Options	Description	For item
SE160	1 Set with 4 resilient castors (2 with brake)	All



- Square section solid wood legs
- Top shelf in stardust marble finished with anti-stain treatment and solid wood frame, with acrylic semi-cylindrical dome opening on both sides
- Veneered wood lower shelves
- Push handles
- Sliding plate support
- 4-compartment cutlery drawer on runners
- Hooded swivel castors, ø 10cm, 2 with brake



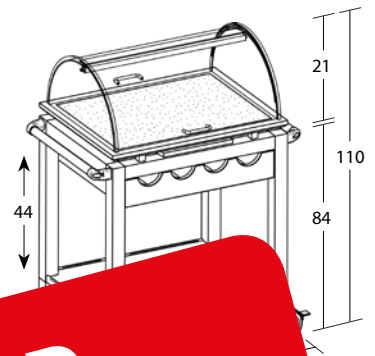
Oak



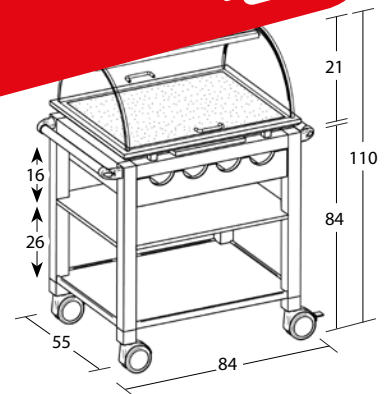
Wenge



Item 65-07026



Item 65-07028



DISCONTINUED
all the items

Item	Finish	Tiers	Shelf dim. (cm)	Max dim. (cm)
65-07026	Wenge	2	70x55	84x55x110
65-07026R	Oak	2	70x55	84x55x110
65-07028	Wenge	3	70x55	84x55x110
65-07028R	Oak	3	70x55	84x55x110

Options	Description	For item
SE160	1 Set with 4 resilient castors (2 with brake)	All

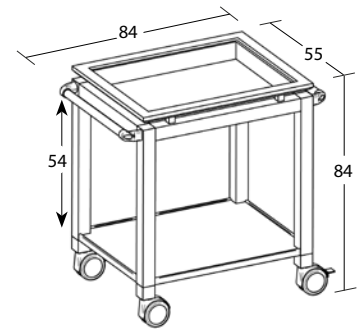


SERIES 65 - 70x55cm

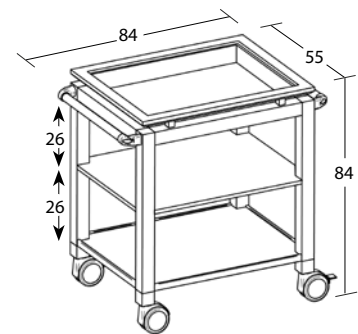
- Square section solid wood legs
- Top shelf with solid wood frame, including a 50mm-deep well and a removable bottle rack
- Veneered wood lower shelves
- Push handles
- Hooded swivel castors, ø 10cm, 2 with brake



Item 65-07032



Item 65-07034



Item	Finish	Tiers	Shelf dim. (cm)	Max dim. (cm)
65-07032	Wenge	2	70x55	84x55x84
65-07032R	Oak	2	70x55	84x55x84
65-07034	Wenge	3	70x55	84x55x84
65-07034R	Oak	3	70x55	84x55x84

Options	Description	For item
SE160	1 Set with 4 resilient castors (2 with brake)	All

- Square section solid wood legs
- Top shelf including a watertight well with eutectic plates for cooling, stainless steel display board with solid wood frame and acrylic semi-cylindrical dome opening on both sides
- Veneered wood lower shelves
- Push handles
- 4-compartment cutlery drawer on runners
- Hooded swivel castors, ø 10cm, 2 with brake



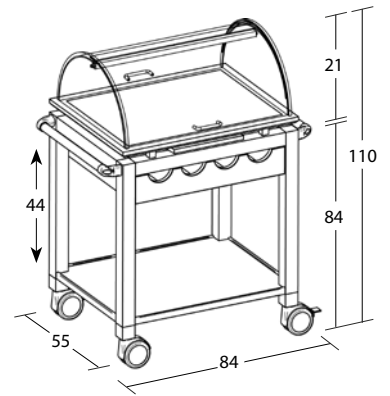
Oak



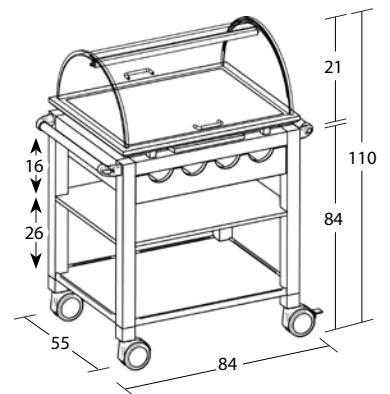
Wenge



Item 65-07036



Item 65-07038



Item	Finish	Tiers	Shelf dim. (cm)	Max dim. (cm)
65-07036	Wenge	2	70x55	84x55x110
65-07036R	Oak	2	70x55	84x55x110
65-07038	Wenge	3	70x55	84x55x110
65-07038R	Oak	3	70x55	84x55x110

Options	Description	For item
SE160	1 Set with 4 resilient castors (2 with brake)	All

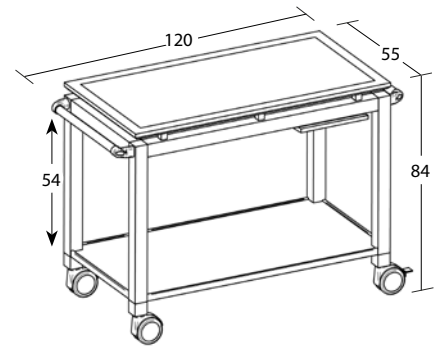


SERIES 65 - 105x55cm

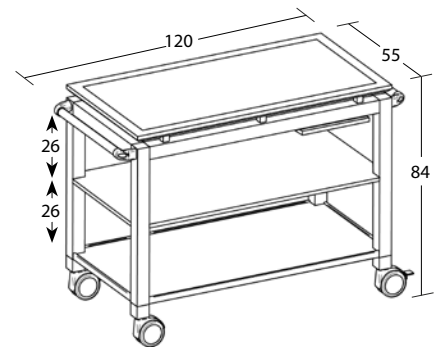
- Square section solid wood legs
- Removable veneered wood top shelf with solid wood frame
- Veneered wood lower shelves
- Push handles
- Sliding plate support
- Hooded swivel castors, ø 10cm, 2 with brake



Item 65-10502



Item 65-10506



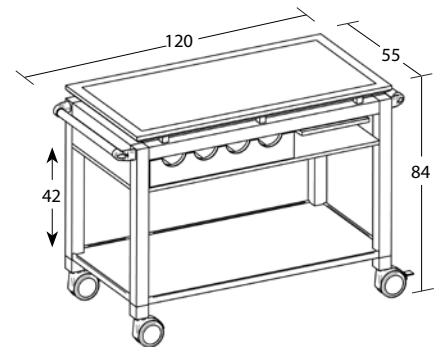
Item	Finish	Tiers	Shelf dim. (cm)	Max dim. (cm)
65-10502	Wenge	2	105x55	120x55x84
65-10502R	Oak	2	105x55	120x55x84
65-10506	Wenge	3	105x55	120x55x84
65-10506R	Oak	3	105x55	120x55x84

Options	Description	For item
SE160	1 Set with 4 resilient castors (2 with brake)	All

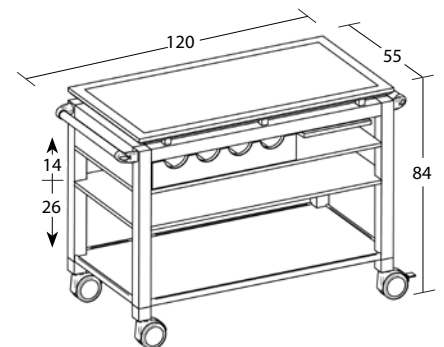
- Square section solid wood legs
- Removable veneered wood top shelf with solid wood frame
- Veneered wood lower shelves
- Push handles
- Sliding plate support
- 4-compartment cutlery drawer on runners
- Hooded swivel castors, ø 10cm, 2 with brake



Item 65-10504



Item 65-10508



Item	Finish	Tiers	Shelf dim. (cm)	Max dim. (cm)
65-10504	Wenge	2	105x55	120x55x84
65-10504R	Oak	2	105x55	120x55x84
65-10508	Wenge	3	105x55	120x55x84
65-10508R	Oak	3	105x55	120x55x84

Options	Description	For item
SE160	1 Set with 4 resilient castors (2 with brake)	All

SERIES 65 - 105x55cm

- Square section solid wood legs
- Top shelf in stardust marble finished with anti-stain treatment and solid wood frame
- Veneered wood lower shelves
- Push handles
- Sliding plate support
- Hooded swivel castors, ø 10cm, 2 with brake



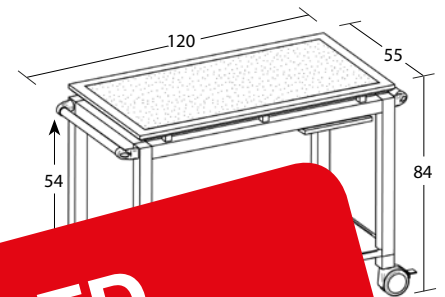
Oak



Wenge



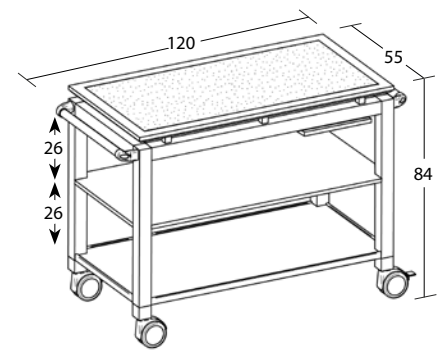
Item 65-10512



DISCONTINUED
all the items



Item 65-10516



Item	Finish	Tiers	Shelf dim. (cm)	Max dim. (cm)
65-10512	Wenge	2	105x55	120x55x84
65-10512R	Oak	2	105x55	120x55x84
65-10516	Wenge	3	105x55	120x55x84
65-10516R	Oak	3	105x55	120x55x84

Options	Description	For item
SE160	1 Set with 4 resilient castors (2 with brake)	All



- Square section solid wood legs
- Top shelf in stardust marble finished with anti-stain treatment and solid wood frame
- Veneered wood lower shelves
- Push handles
- Sliding plate support
- 4-compartment cutlery drawer on runners
- Hooded swivel castors, ø 10cm, 2 with brake



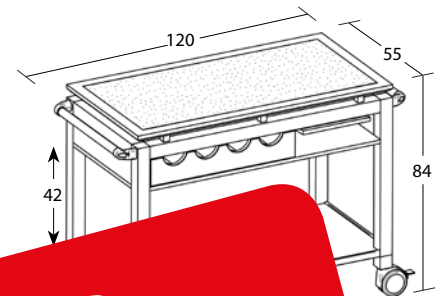
Oak



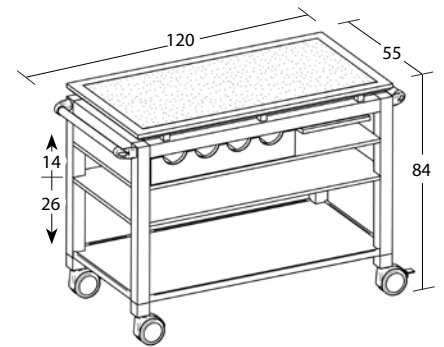
Wenge



Item 65-10514



Item 65-10518



DISCONTINUED
all the items

Item	Finish	Tiers	Shelf dim. (cm)	Max dim. (cm)
65-10514	Wenge	2	105x55	120x55x84
65-10514R	Oak	2	105x55	120x55x84
65-10518	Wenge	3	105x55	120x55x84
65-10518R	Oak	3	105x55	120x55x84

Options	Description	For item
SE160	1 Set with 4 resilient castors (2 with brake)	All

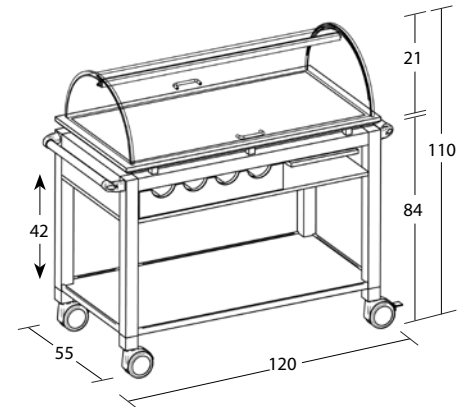


SERIES 65 - 105x55cm

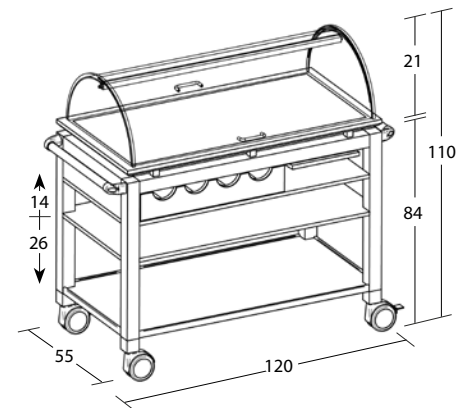
- Square section solid wood legs
- Removable veneered wood top shelf with solid wood frame and acrylic semi-cylindrical dome opening on both sides
- Veneered wood lower shelves
- Push handles
- Sliding plate support
- 4-compartment cutlery drawer on runners
- Hooded swivel castors, ø 10cm, 2 with brake



Item 65-10522



Item 65-10524



Item	Finish	Tiers	Shelf dim. (cm)	Max dim. (cm)
65-10522	Wenge	2	105x55	120x55x110
65-10522R	Oak	2	105x55	120x55x110
65-10524	Wenge	3	105x55	120x55x110
65-10524R	Oak	3	105x55	120x55x110

Options	Description	For item
SE160	1 Set with 4 resilient castors (2 with brake)	All



- Square section solid wood legs
- Top shelf in stardust marble finished with anti-stain treatment with solid wood frame and acrylic semi-cylindrical dome opening on both sides
- Veneered wood lower shelves
- Push handles
- Sliding plate support
- 4-compartment cutlery drawer on runners
- Hooded swivel castors, ø 10cm, 2 with brake



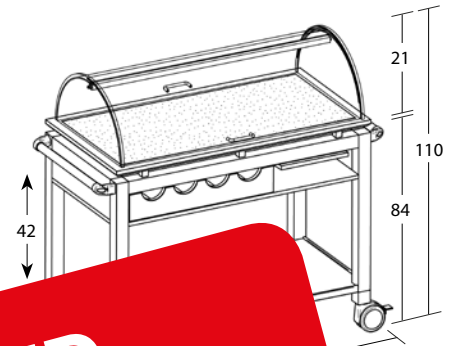
Oak



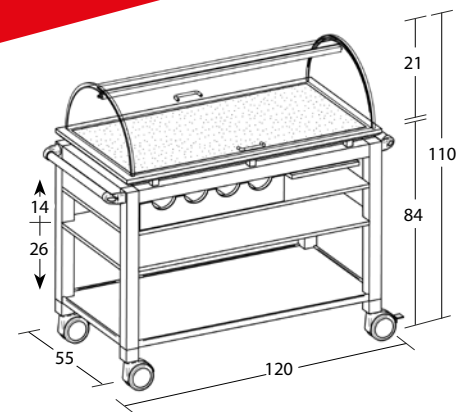
Wenge



Item 65-10526



Item 65-10528



DISCONTINUED
all the items

Item	Finish	Tiers	Shelf dim. (cm)	Max dim. (cm)
65-10526	Wenge	2	105x55	120x55x110
65-10526R	Oak	2	105x55	120x55x110
65-10528	Wenge	3	105x55	120x55x110
65-10528R	Oak	3	105x55	120x55x110

Options	Description	For item
SE160	1 Set with 4 resilient castors (2 with brake)	All

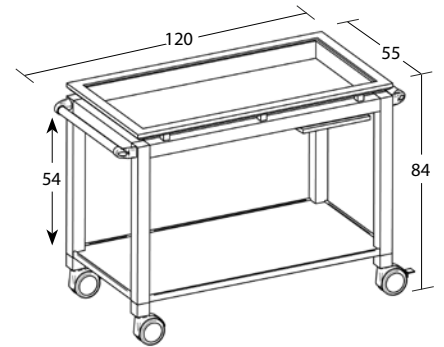


SERIES 65 - 105x55cm

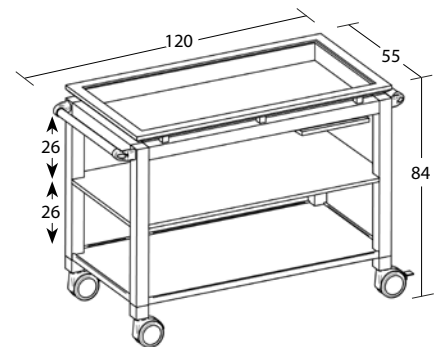
- Square section solid wood legs
- Top shelf with solid wood frame, including a 50mm-deep well and a removable bottle rack
- Veneered wood lower shelves
- Push handles
- Hooded swivel castors, \varnothing 10cm, 2 with brake



Item 65-10532



Item 65-10534



Item	Finish	Tiers	Shelf dim. (cm)	Max dim. (cm)
65-10532	Wenge	2	105x55	120x55x84
65-10532R	Oak	2	105x55	120x55x84
65-10534	Wenge	3	105x55	120x55x84
65-10534R	Oak	3	105x55	120x55x84

Options	Description	For item
SE160	1 Set with 4 resilient castors (2 with brake)	All

- Square section solid wood legs
- Top shelf including a watertight well with eutectic plates for cooling, stainless steel display board with solid wood frame and acrylic semi-cylindrical dome opening on both sides
- Veneered wood lower shelves
- Push handles
- 4-compartment cutlery drawer on runners
- Hooded swivel castors, ø 10cm, 2 with brake



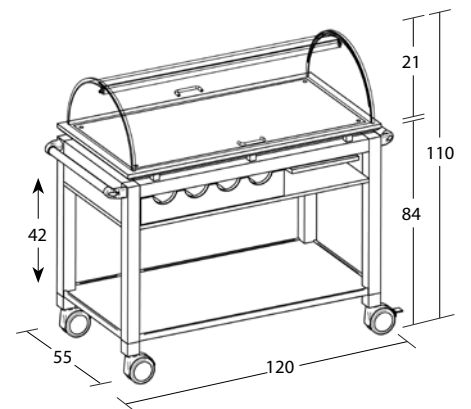
Oak



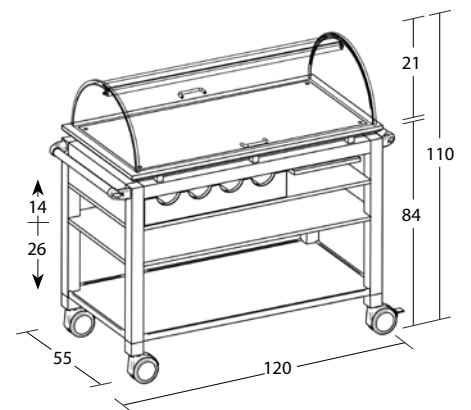
Wenge



Item 65-10536



Item 65-10538



55

Item	Finish	Tiers	Shelf dim. (cm)	Max dim. (cm)
65-10536	Wenge	2	105x55	120x55x110
65-10536R	Oak	2	105x55	120x55x110
65-10538	Wenge	3	105x55	120x55x110
65-10538R	Oak	3	105x55	120x55x110

Options	Description	For item
SE160	1 Set with 4 resilient castors (2 with brake)	All



SERIES 65 - 140x55cm

- Square section solid wood legs
- Top shelf fitted with various accessories depending on models
- Lower shelves and back panel in veneered wood
- Push handles
- Two sliding plate supports
- 4-compartment cutlery drawer on runners
- Hooded swivel castors, ø 10cm, 2 with brake



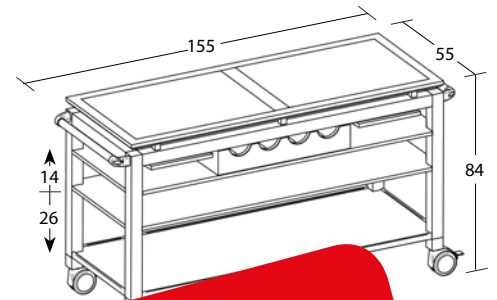
Oak



Wenge



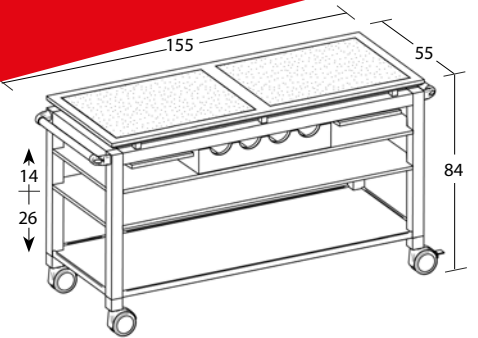
Item 65-14002



DISCONTINUED
all the items



Item 65-14006



- Top shelf with solid wood frame consisting of two stardust marble shelves finished with anti-stain treatment

Item	Finish	Top shelf	Shelf dim. (cm)	Max dim. (cm)
65-14002	Wenge	Wood	140x55	155x55x84
65-14002R	Oak	Wood	140x55	155x55x84
65-14006	Wenge	Marble	140x55	155x55x84
65-14006R	Oak	Marble	140x55	155x55x84

Options	Description	For item
SE160	1 Set with 4 resilient castors (2 with brake)	All



- Square section solid wood legs
- Top shelf fitted with various accessories depending on models
- Lower shelves and back panel in veneered wood
- Push handles
- Two sliding plate supports
- 4-compartment cutlery drawer on runners
- Hooded swivel castors, ø 10cm, 2 with brake



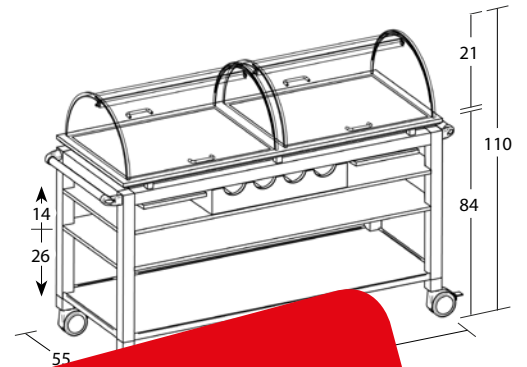
Oak



Wenge



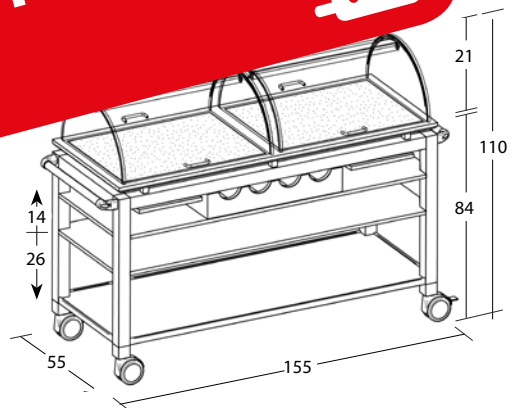
Item 65-14004



DISCONTINUED
all the items



Item 65-14008



- Top shelf with solid wood frame consisting of two stardust marble shelves finished with anti-stain treatment and two acrylic domes opening on both sides

Item	Finish	Top shelf	Shelf dim. (cm)	Max dim. (cm)
65-14004	Wenge	Wood	140x55	155x55x110
65-14004R	Oak	Wood	140x55	155x55x110
65-14008	Wenge	Marble	140x55	155x55x110
65-14008R	Oak	Marble	140x55	155x55x110

Options	Description	For item
SE160	1 Set with 4 resilient castors (2 with brake)	All



SERIES 65 - 140x55cm

- Square section solid wood legs
- Top shelf fitted with various accessories depending on models
- Lower shelves and back panel in veneered wood
- Push handles
- Two sliding plate supports
- 4-compartment cutlery drawer on runners
- Hooded swivel castors, ø 10cm, 2 with brake



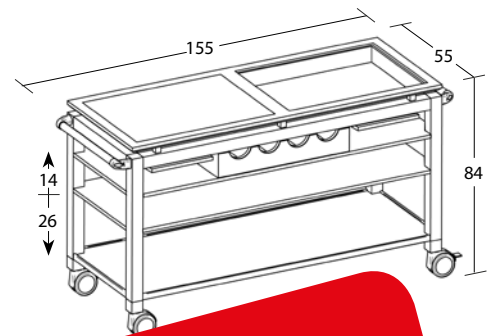
Oak



Wenge



Item 65-14010

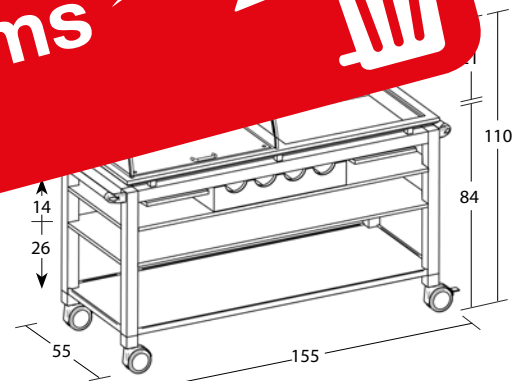


ing of a
50mm-
bottle

DISCONTINUED
all the items



Item 65-14014



- Top shelf with solid wood frame, consisting of a watertight well with eutectic plates for cooling, a display board in stainless steel with acrylic dome, and a 50mm-deep well with removable stainless steel bottle rack

Item	Finish	Shelf dim. (cm)	Max dim. (cm)
65-14010	Wenge	140x55	155x55x84
65-14010R	Oak	140x55	155x55x84
65-14014	Wenge	140x55	155x55x110
65-14014R	Oak	140x55	155x55x110

Options	Description	For item
SE160	1 Set with 4 resilient castors (2 with brake)	All



- Square section solid wood legs
- Top shelf fitted with various accessories depending on models
- Lower shelves and back panel in veneered wood
- Push handles
- Two sliding plate supports
- 4-compartment cutlery drawer on runners
- Hooded swivel castors, ø 10cm, 2 with brake



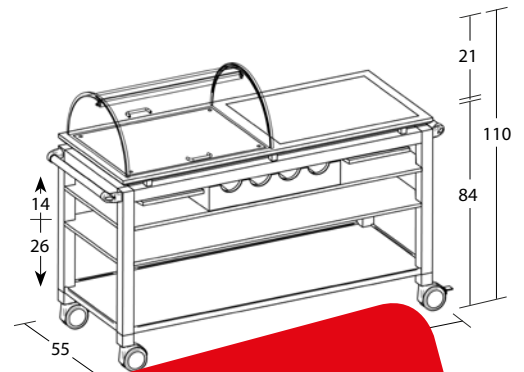
Oak



Wenge



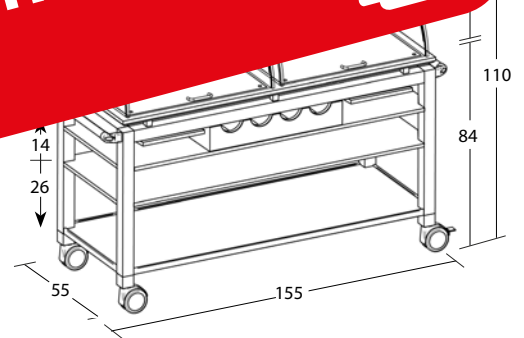
Item 65-14012



DISCONTINUED
all the items



Item 65-14016



- Top shelf with solid wood frame, consisting of two watertight wells with eutectic plates for cooling and two display boards in stainless steel with acrylic domes

Item	Finish	Shelf dim. (cm)	Max dim. (cm)
65-14012	Wenge	140x55	155x55x110
65-14012R	Oak	140x55	155x55x110
65-14016	Wenge	140x55	155x55x110
65-14016R	Oak	140x55	155x55x110

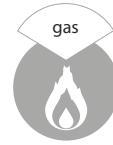
Options	Description	For item
SE160	1 Set with 4 resilient castors (2 with brake)	All



FLAMBÉ TROLLEYS

- Melamine-faced frame
- Cutlery drawer
- LPG cylinder housing door
- Stainless steel hob with flame failure safety device conform to EC standards
- Side condiment shelf
- Chrome-plated steel bottle holder
- Swivel castors (2 with brake), ø 12.5cm

Note: LPG cylinder and gas pressure regulator not included



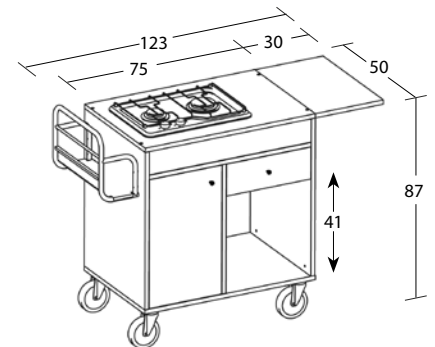
Cherry wood



Wenge



Item 1160



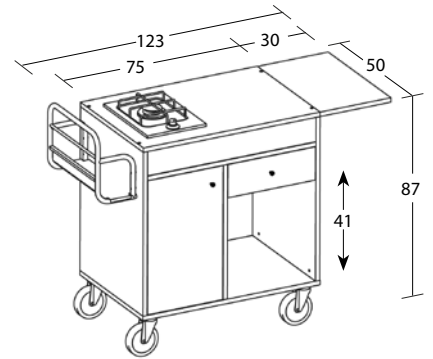
60

Item	Finish	Gas burners	Max dim. - open (cm)	Max dim. - closed (cm)
1160	Cherry wood	twin	123x50x87	95x50x87
1160W	Wenge	twin	123x50x87	95x50x87
1160S	Cherry wood	single	123x50x87	95x50x87
1160SW	Wenge	single	123x50x87	95x50x87
1160D	Cherry wood	double	123x50x87	95x50x87
1160DW	Wenge	double	123x50x87	95x50x87

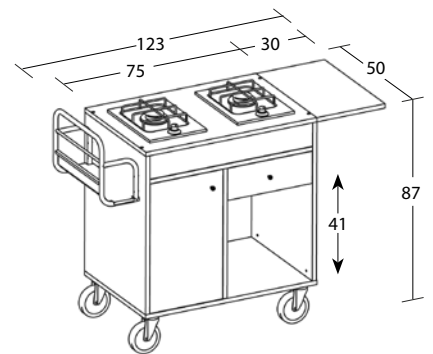
Accessories	Description	For item
A80	1 Gas pressure regulator (LPG 30 mbar), single, c/w fittings	1160S - 1160SW - 1160 - 1160W
A82	2 Gas pressure regulator (LPG 30 mbar), double, c/w fittings	1160D - 1160DW



Item 1160S

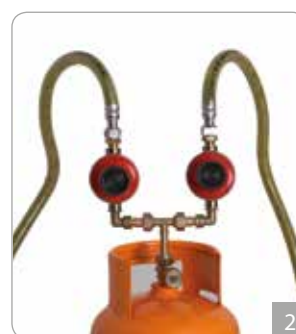


Item 1160D



Item A80
Single pressure regulator

1



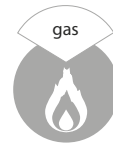
Item A82
Double pressure regulator

2

FLAMBÉ TROLLEYS

- Solid wood frame
- Cutlery drawers
- LPG cylinder housing door
- Stainless steel hob with flame failure safety device conform to EC standards
- Support top with metal spacers
- Side condiment shelf
- Chrome-plated steel bottle holder
- Swivel castors, ø 10cm

Note: LPG cylinder and gas pressure regulator not included



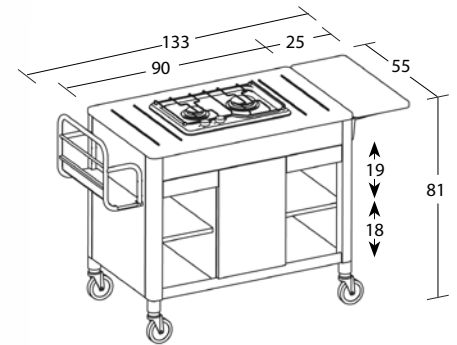
Walnut



Wenge



Item 6400



62

Item	Finish	Gas burners	Max dim. - open (cm)	Max dim. - closed (cm)
6400	Walnut	twin	133x55x81	118x55x81
6400W	Wenge	twin	133x55x81	118x55x81
6402	Walnut	double	133x55x81	118x55x81
6402W	Wenge	double	133x55x81	118x55x81
6404	Walnut	single	133x55x81	118x55x81
6404W	Wenge	single	133x55x81	118x55x81

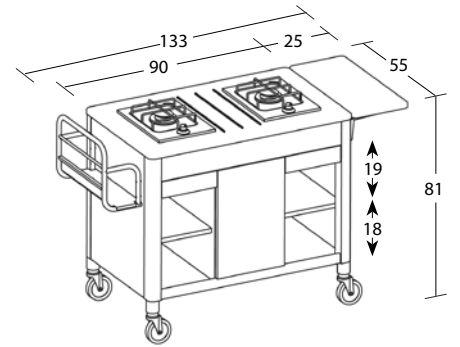
Options	Description	For item
S1140	1 Set with 2 braked castors	All
SE140	2 Set with 4 resilient castors (2 with brake)	All

Accessories	Description	For item
A80	1 Gas pressure regulator (LPG 30 mbar), single, c/w fittings	6400 - 6400W - 6404 - 6404W
A82	2 Gas pressure regulator (LPG 30 mbar), double, c/w fittings	6402 - 6402W

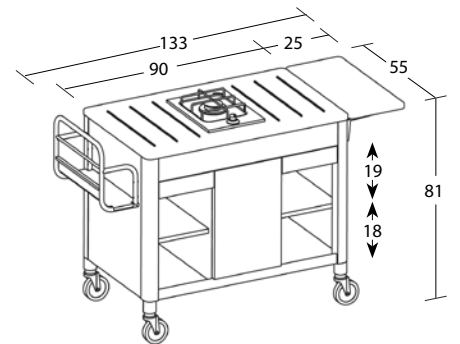




Item 6402

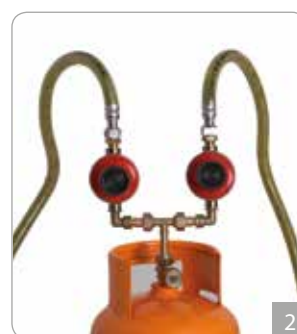


Item 6404



Item A80
Single pressure regulator

1

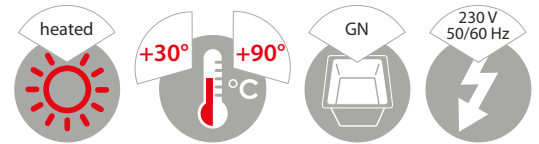


Item A82
Double pressure regulator

2

BAIN-MARIE TROLLEYS

- Solid wood frame with plywood side panels and bottom shelf
- Push handle
- Stainless steel well suitable for up to 200mm-deep Gastronorms (GN pans sold separately)
- Bain-Marie immersion heating element with protection grille
- Wattage: 1950 W
- Mains supply: 230V, 50/60 Hz, single-phase
- Bain-Marie condense drain at base of well with drain tap
- Digital thermometer/thermostat
- Sliding polythene chopping board
- Knife rack
- Swivel castors, ø 10cm



Walnut

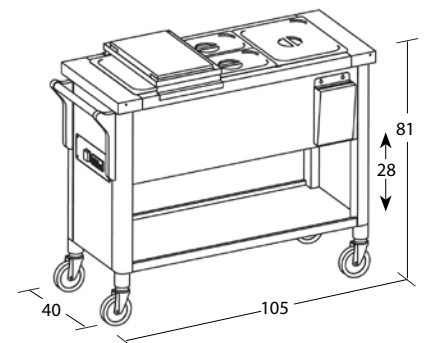


Wenge



Optional pans - see p. 162-163

64

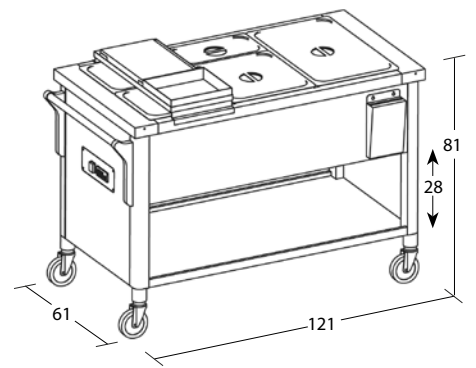


Item 6600S + pans


Item	Finish	Capacity	Max dim. (cm)
6600S	Walnut	3x1/2 GN	105x40x81
6600SW	Wenge	3x1/2 GN	105x40x81
6602S	Walnut	3x1/1 GN	121x61x81
6602SW	Wenge	3x1/1 GN	121x61x81

Options	Description	For item
S1140	1 Set with 2 braked castors	All
SE140	2 Set with 4 resilient castors (2 with brake)	All





Item 6602S + pans

Accessories		Finish	Description	For item
A0010	3	Walnut	Folding plate support	6600S
A0010W	4	Wenge	Folding plate support	6600SW
A0011	3	Walnut	Folding plate support	6602S
A0011W	4	Wenge	Folding plate support	6602SW
A0015	5	-	Stainless steel lid holder	All





METAL SERVICE
TROLLEYS

SERVICE TROLLEYS - STAINLESS STEEL/WOOD

- Stainless steel 2x2cm square tube frame, brushed finish
- Melamine-faced shelves with brushed stainless steel tubular edges
- Grey rubber ring buffers
- Swivel castors, \varnothing 12.5cm

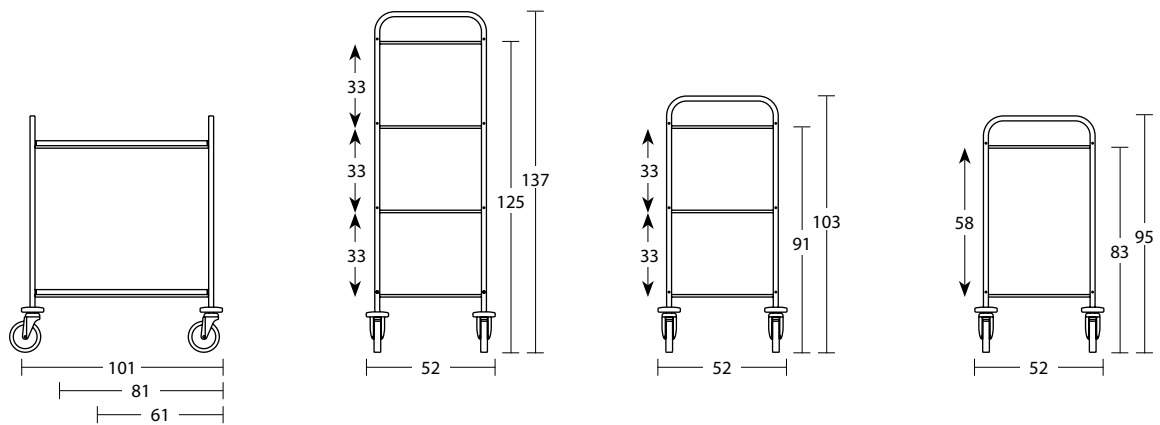


Cherry wood



Item 4690.2

68



Item	Tiers	Shelf dim. (cm)	Max dim. (cm)
4650.2	2	50x45	61x52x95
4650.3	3	50x45	61x52x103
4650.4	4	50x45	61x52x137
4670.2	2	70x45	81x52x95
4670.3	3	70x45	81x52x103
4670.4	4	70x45	81x52x137
4690.2	2	90x45	101x52x95
4690.3	3	90x45	101x52x103
4690.4	4	90x45	101x52x137





Item 4690.3





Item 4690.4

Options  Description For item

S1200	1	Set with 2 braked castors	All	 1
SE200	2	Set with 4 resilient castors (2 with brake)	All	 2

Accessories  Description For item

AB02	3	PVC waste bin, 33x16x51cm	All	 3
AB01	4	PVC waste bin, 35x19x18cm	All	 4

SERVICE TROLLEYS - STAINLESS STEEL/PLASTIC COATED

- Chrome-plated steel round tube frame, \varnothing 2.5cm
- Plastic coated sheet steel shelves, wood effect finish
- No sharp edges
- Die-cast aluminium corner joints fixing the shelves to the frame with rounded inner corners
- Grey rubber ring buffers
- Swivel castors, \varnothing 12.5cm

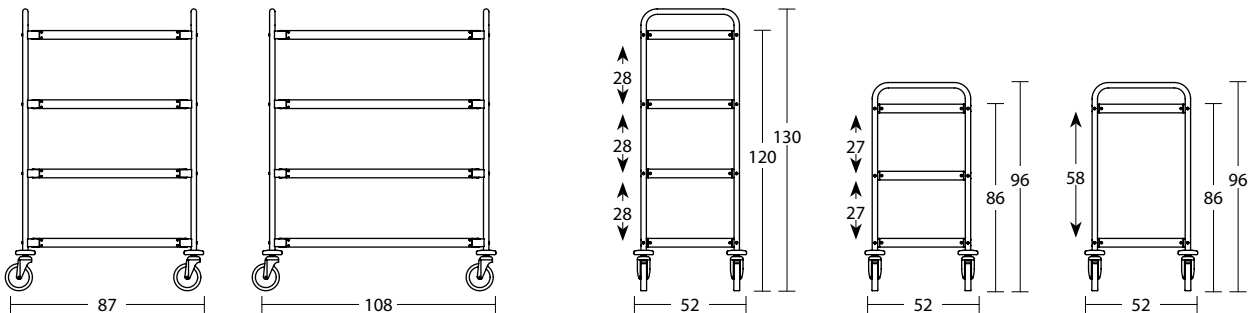


Walnut



Item 4012

70



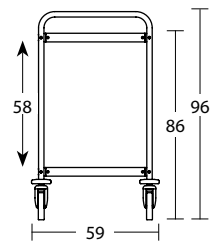
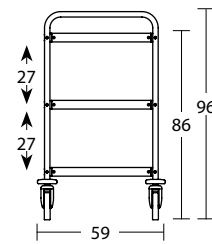
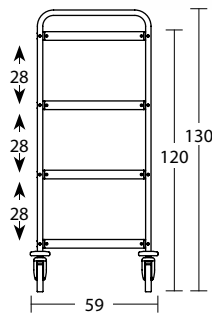
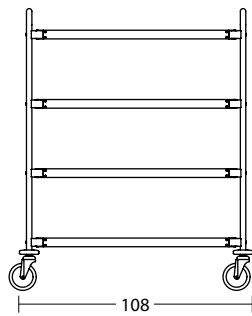
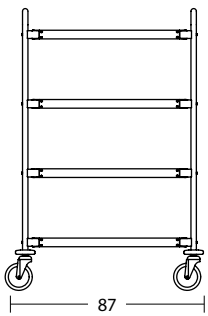
Item	Tiers	Shelf dim. (cm)	Max dim. (cm)
4006	2	71x45	87x52x96
4008	3	71x45	87x52x96
4010	4	71x45	87x52x130
4018	2	71x52	87x59x96
4020	3	71x52	87x59x96
4022	4	71x52	87x59x130
4000	2	93x45	108x52x96
4002	3	93x45	108x52x96
4004	4	93x45	108x52x130
4012	2	93x52	108x59x96
4014	3	93x52	108x59x96
4016	4	93x52	108x59x130



Item 4014



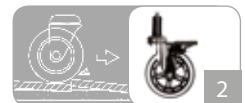
Item 4016



Options	Description	For item
S1210	1 Set with 2 braked castors	All



SE210	2 Set with 4 resilient castors (2 with brake)	All
-------	---	-----



Accessories	Description	For item
AB02	3 PVC waste bin, 33x16x51cm	All



AB01	4 PVC waste bin, 35x19x18cm	All
------	-----------------------------	-----



SERVICE TROLLEYS - STAINLESS STEEL/PLASTIC COATED

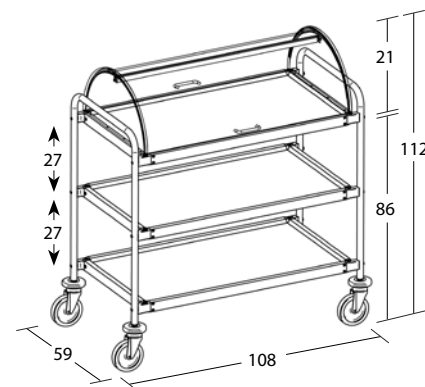
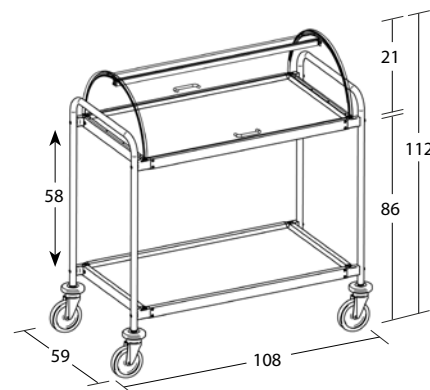
- Chrome-plated steel round tube frame, \varnothing 2.5cm
- Plastic coated sheet steel shelves, wood effect finish
- No sharp edges
- Die-cast aluminium corner joints fixing the shelves to the frame with rounded inner corners
- Acrylic dome opening on both sides
- Grey rubber ring buffers
- Swivel castors, \varnothing 12.5cm



Walnut



Item 4100



72

Item	Tiers	Shelf dim. (cm)	Max dim. (cm)
4100	2	93x52	108x59x112
4102	3	93x52	108x59x112

Options	Description	For item
S1210	1 Set with 2 braked castors	4100 - 4102
SE210	2 Set with 4 resilient castors (2 with brake)	4100 - 4102



Accessories	Description	For item
A0006	3 Sliding plate support	4100 - 4102
A0097	4 PVC 3-compartment cutlery drawer	4100 - 4102

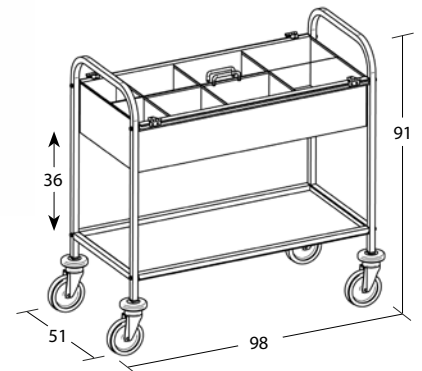


- Frame and well support crosspieces in stainless steel 2x2cm square tube frame, brushed finish
- Stainless steel 7-compartment cutlery well, 180mm deep
- Acrylic covers with handles, hinged to the well
- Stainless steel lower shelf with brushed finish
- Grey rubber ring buffers
- Swivel castors, \varnothing 12.5cm



DISCONTINUED
all the items

Item 1140I + S1200



Item	Tiers	Covers	Shelf dim. (cm)	Max dim. (cm)
1140I	1	80	87x44	98x51x91

Options	Description	For item
S1200	1 Set with 2 braked castors	1140I
SE200	2 Set with 4 resilient castors (2 with brake)	1140I



CLEARING TROLLEYS

- Stainless steel 2.5x2.5cm square tube frame, brushed finish
- The upper tier can take 3 x 200mm deep GN pans (GN pans sold separately)
- Lower tiers with removable stainless steel shelves
- Grey rubber ring buffers
- Swivel castors, \varnothing 12.5cm

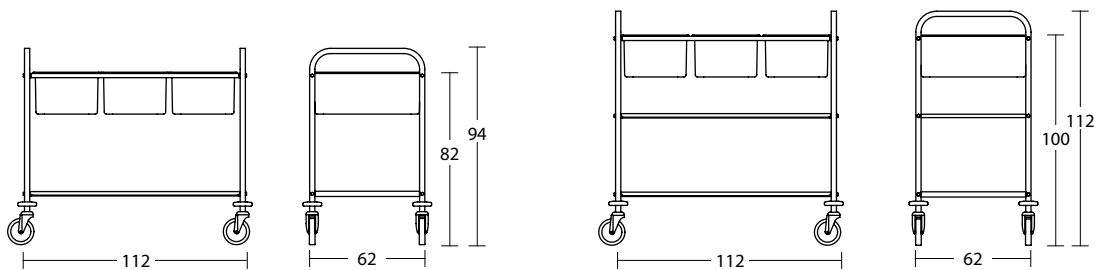


Optional pans - see pages 162-163



Item 1552 + pans

74

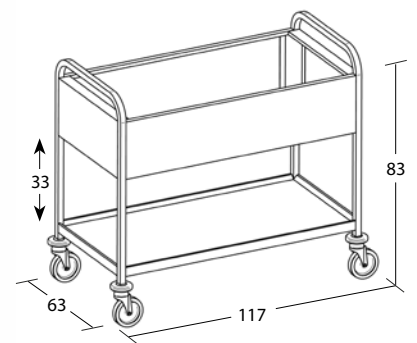
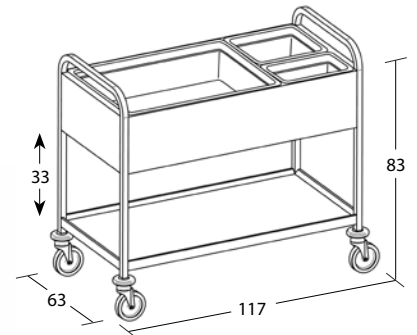


Item	Tiers	Shelf dim. (cm)	Max dim. (cm)
1550	1	100x50	112x62x94
1552	2	100x50	112x62x112

Options	Description	For item
S1220	1 Set with 2 braked castors	1550 - 1552
SE220	2 Set with 4 resilient castors (2 with brake)	1550 - 1552



- Stainless steel 2.5x2.5cm square tube frame with stainless steel plate side panels welded throughout the length, brushed finish
- Top tier with no well. It can take up to 3 x 1/1 GN pans with a max depth of 200mm
- Stainless steel plate lower shelf with raised edge
- Grey rubber ring buffers
- Swivel castors, ø 12.5cm



Item 1515 + A0107 + S1220

Item	Tiers	GN pans	Shelf dim. (cm)	Max dim. (cm)
1515	1	1x2/1 + 2x1/2	105x50.8	117x63x94
1515S	1	not included	105x50.8	117x63x94

Options	Description	For item
---------	-------------	----------

S1220	1 Set with 2 braked castors	1515 - 1515S
-------	-----------------------------	--------------



SE220	2 Set with 4 resilient castors (2 with brake)	1515 - 1515S
-------	---	--------------



Accessories	Description	For item
-------------	-------------	----------

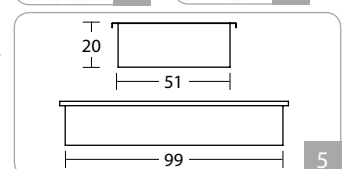
AB02	3 PVC waste bin, 33x16x51cm	1515 - 1515S
------	-----------------------------	--------------



AB01	4 PVC waste bin, 35x19x18cm	1515 - 1515S
------	-----------------------------	--------------

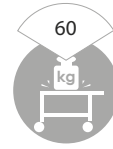


A0107	5 Watertight well with drain hole - 3 x 1/1 GN 200mm-deep	1515 - 1515S
-------	---	--------------



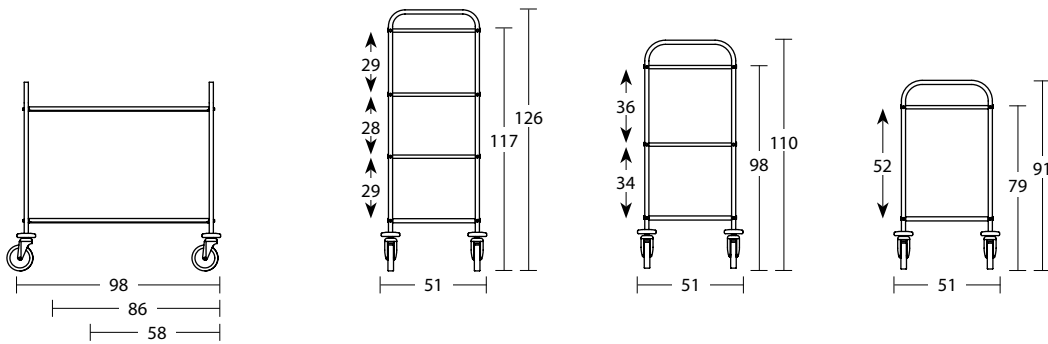
STAINLESS STEEL TROLLEYS - DEEP TRAY SHELVES

- Stainless steel 2x2cm square tube frame, brushed finish
- Stainless steel 15 or 65mm deep tray shelves, depending on model, with 90° no-sharp edges
- Grey rubber ring buffers
- Swivel castors, ø 12.5cm



Item 1516

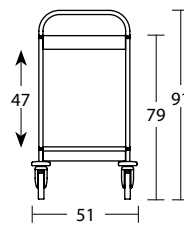
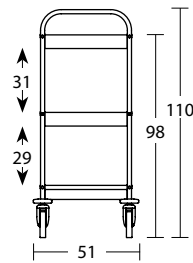
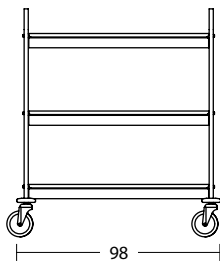
76



Item	Tiers	Shelf depth (cm)	Shelf dim. (cm)	Max dim. (cm)
1516	2	1.5	47x44	58x51x91
1517	3	1.5	47x44	58x51x110
1520	2	1.5	75x44	86x51x91
1521	3	1.5	75x44	86x51x110
1522	4	1.5	75x44	86x51x126
1523	2	1.5	87x44	98x51x91
1524	3	1.5	87x44	98x51x110
1525	4	1.5	87x44	98x51x126
1526	2	6.5	87x44	98x51x91
1527	3	6.5	87x44	98x51x110



Item 1526

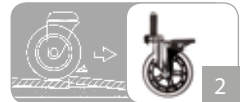


Options

Options	Description	For item
S1200	1 Set with 2 braked castors	All



SE200	2 Set with 4 resilient castors (2 with brake)	All
-------	---	-----



Accessories

Accessories	Description	For item
AB02	3 PVC waste bin, 33x16x51cm	All

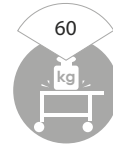


AB01	4 PVC waste bin, 35x19x18cm	All
------	-----------------------------	-----



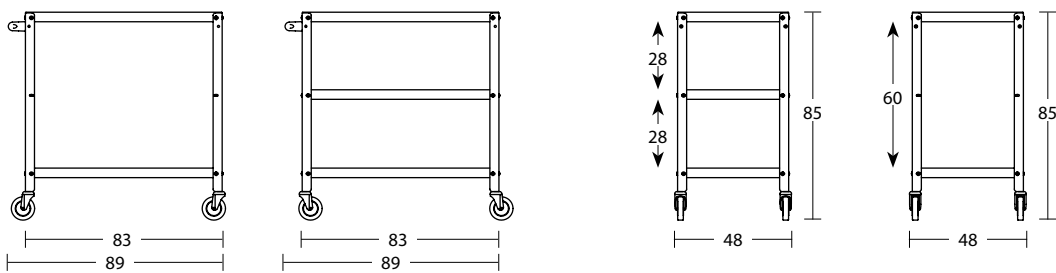
STAINLESS STEEL TROLLEYS - DEEP TRAY SHELVES

- L-shaped stainless steel sheet structure
- Stainless steel 40mm deep tray shelves with 90° no-sharp edges, bolted to the frame
- Push handle
- Swivel castors, \varnothing 9.5cm



Item 1545

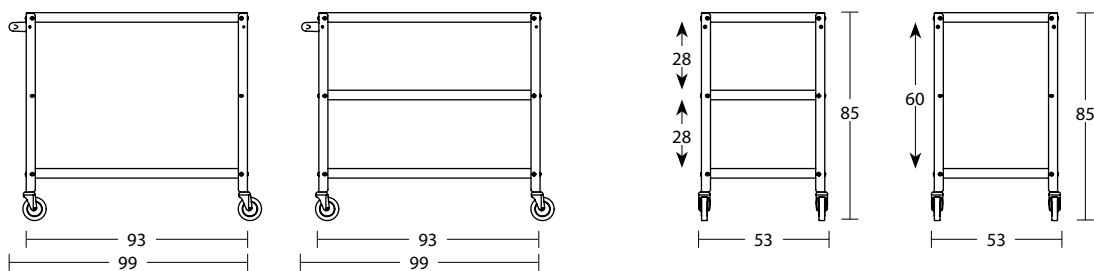
78



Item	Tiers	Shelf dim. (cm)	Max dim. (cm)
1545	2	80x45	89x48x85
1546	3	80x45	89x48x85
1547	2	90x50	99x53x85
1548	3	90x50	99x53x85



Item 1548



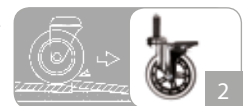
Options

Options	Description	For item
S1130	1 Set with 2 braked castors	All



1

SE130	2 Set with 4 resilient castors (2 with brake)	All
-------	---	-----



2

Accessories

Accessories	Description	For item
AB02	3 PVC waste bin, 33x16x51cm	All



3

AB01	4 PVC waste bin, 35x19x18cm	All
------	-----------------------------	-----



4

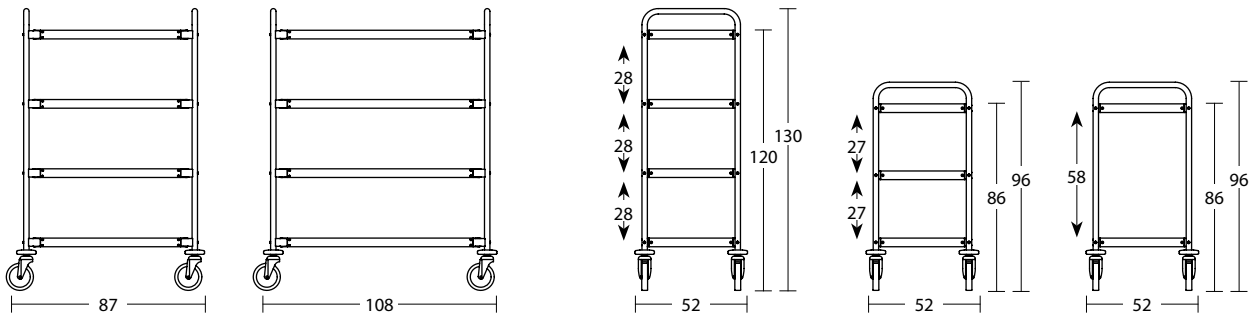
AISI 304 STAINLESS STEEL TROLLEYS - DEEP TRAY SHELVES

- Entirely made of AISI 304 stainless steel, brushed finish
- Stainless steel round tube frame, \varnothing 2.5cm
- Stainless steel 20mm deep tray shelves
- No sharp edges
- Die-cast aluminium corner joints fixing the shelves to the frame with rounded inner corners
- Grey rubber ring buffers
- Swivel castors, \varnothing 12.5cm



Item 4050

80



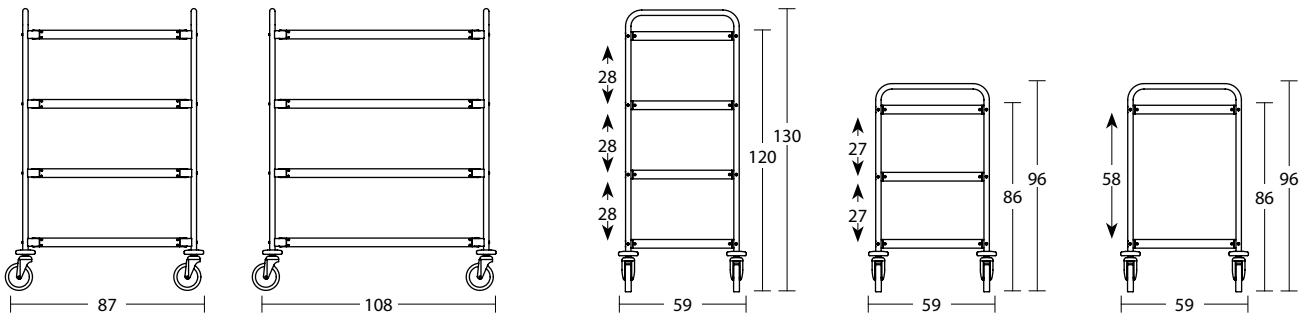
Item	Tiers	Shelf dim. (cm)	Max dim. (cm)
4056	2	71x45	87x52x96
4058	3	71x45	87x52x96
4060	4	71x45	87x52x130
4068	2	71x52	87x59x96
4070	3	71x52	87x59x96
4072	4	71x52	87x59x130
4050	2	93x45	108x52x96
4052	3	93x45	108x52x96
4054	4	93x45	108x52x130
4062	2	93x52	108x59x96
4064	3	93x52	108x59x96
4066	4	93x52	108x59x130



Item 4052

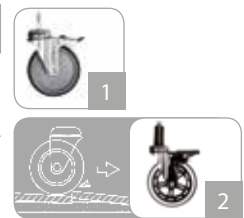


Item 4054



Options Description For item

S1210	1	Set with 2 braked castors	All
SE210	2	Set with 4 resilient castors (2 with brake)	All



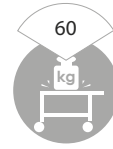
Accessories Description For item

AB02	3	PVC waste bin, 33x16x51cm	All
AB01	4	PVC waste bin, 35x19x18cm	All

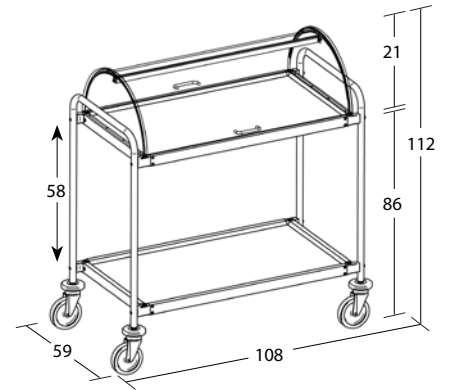


AISI 304 STAINLESS STEEL TROLLEYS - DEEP TRAY SHELVES

- Entirely made of AISI 304 stainless steel, brushed finish
- Stainless steel round tube frame, \varnothing 2.5cm
- Stainless steel 20mm deep tray shelves
- No sharp edges
- Die-cast aluminium corner joints fixing the shelves to the frame with rounded inner corners
- Acrylic dome opening on both sides
- Grey rubber ring buffers
- Swivel castors, \varnothing 12.5cm



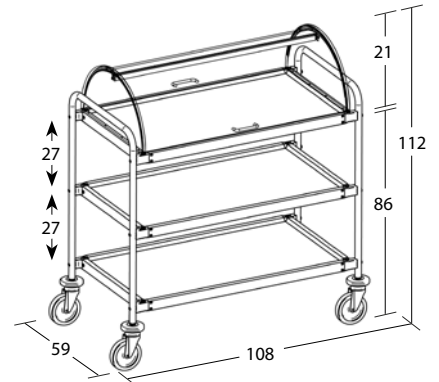
Item 4150



Item	Tiers	Shelf dim. (cm)	Max dim. (cm)
4150	2	93x52	108x59x112
4152	3	93x52	108x59x112



Item 4152



Options	Description	For item
---------	-------------	----------

S1210	1 Set with 2 braked castors	4150 - 4152
SE210	2 Set with 4 resilient castors (2 with brake)	4150 - 4152



Accessories	Description	For item
-------------	-------------	----------

A0006	3 Sliding plate support	4150 - 4152
A0097	4 PVC 3-compartment cutlery drawer	4150 - 4152



AISI 304 STAINLESS STEEL TROLLEYS - BOLTED PRESSED SHELVES

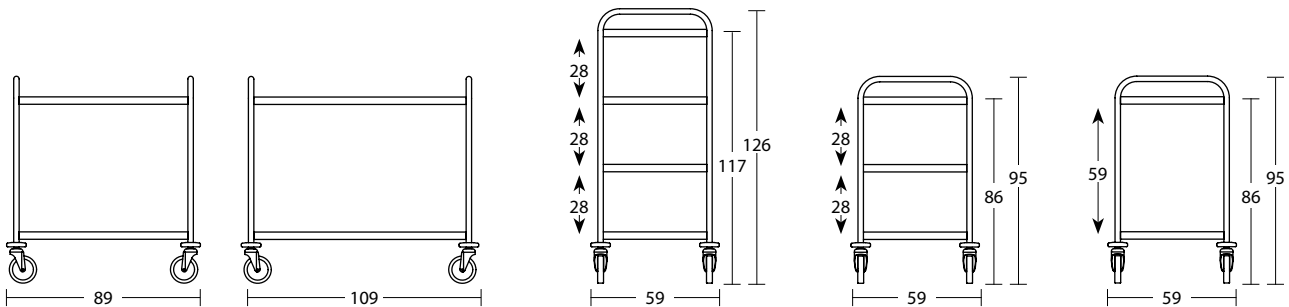
- Entirely made of AISI 304 stainless steel, brushed finish
- Stainless steel round tube frame, \varnothing 2.5cm
- Pressed shelves with no sharp edges, sound-proof, bolted to frame
- Grey rubber ring buffers
- Swivel castors, \varnothing 12.5cm



Bolted shelf



Item 1400



Item	Tiers	Shelf dim. (cm)	Max dim. (cm)
1400C	2	80x50	89x59x95
1405C	3	80x50	89x59x95
1410C	4	80x50	89x59x126
1400	2	100x50	109x59x95
1405	3	100x50	109x59x95
1410	4	100x50	109x59x126
1402	2	100x60	109x69x95
1407	3	100x60	109x69x95
1412	4	100x60	109x69x126

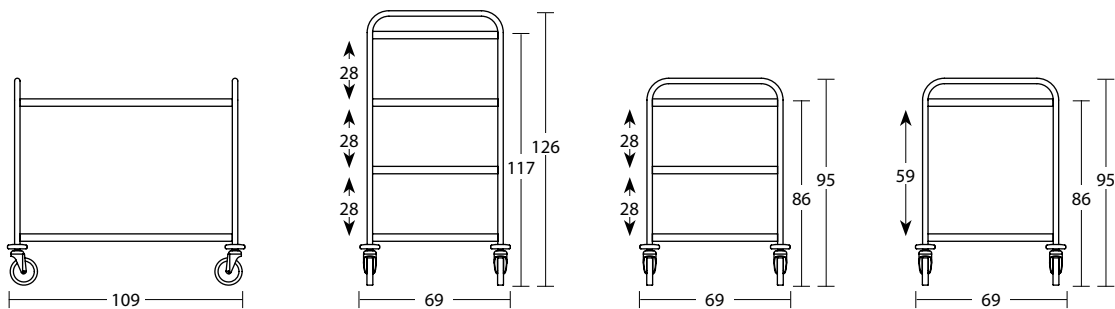


Item 1405



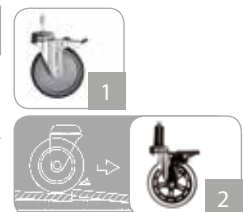
Item 1410

REVISED RANGE
 AVAILABLE ON OUR
BROCHURE "015/016" → **New 015/016**



Options **Description** **For item**

S1210	1	Set with 2 braked castors	All
SE210	2	Set with 4 resilient castors (2 with brake)	All



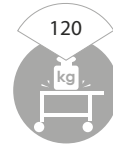
Accessories **Description** **For item**

AB02	3	PVC waste bin, 33x16x51cm	All
AB01	4	PVC waste bin, 35x19x18cm	All



AISI 304 STAINLESS STEEL TROLLEYS - WELDED PRESSED SHELVES

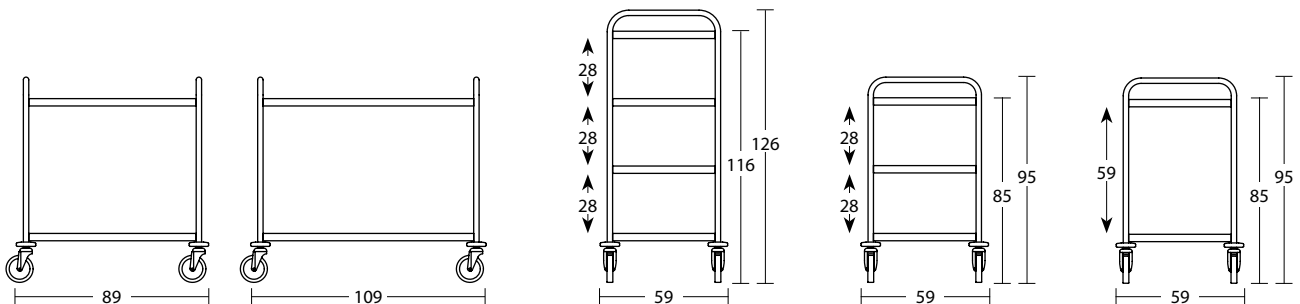
- Entirely made of AISI 304 stainless steel, brushed finish
- Stainless steel round tube frame, \varnothing 2.5cm
- Pressed shelves with no sharp edges, sound-proof, welded to the frame
- Grey rubber ring buffers
- Swivel castors, \varnothing 12.5cm



Welded shelf



Item 1400S



Item	Tiers	Shelf dim. (cm)	Max dim. (cm)
1400CS	2	80x50	89x59x95
1405CS	3	80x50	89x59x95
1410CS	4	80x50	89x59x126
1400S	2	100x50	109x59x95
1405S	3	100x50	109x59x95
1410S	4	100x50	109x59x126
1402S	2	100x60	109x69x95
1407S	3	100x60	109x69x95
1412S	4	100x60	109x69x126

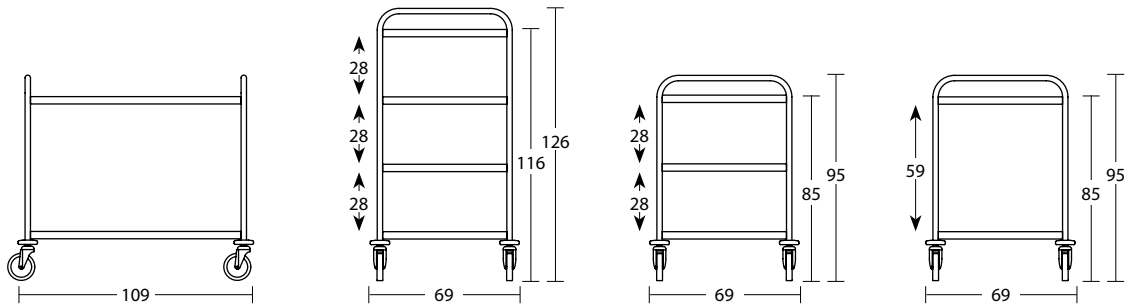


Item 1405S



Item 1410S

REVISED RANGE
AVAILABLE ON OUR
BROCHURE "015/016"
 New 015/016



Options	Description	For item
---------	-------------	----------

S1210	1 Set with 2 braked castors	All
SE210	2 Set with 4 resilient castors (2 with brake)	All



Accessories	Description	For item
-------------	-------------	----------

AB02	3 PVC waste bin, 33x16x51cm	All
AB01	4 PVC waste bin, 35x19x18cm	All



- Entirely made of AISI 304 stainless steel, brushed finish
- Stainless steel round tube closed frame, \varnothing 2.5cm
- Pressed shelves with no sharp edges, sound-proof, welded to the frame
- Grey rubber ring buffers
- Swivel castors (2 with brake), \varnothing 12.5cm



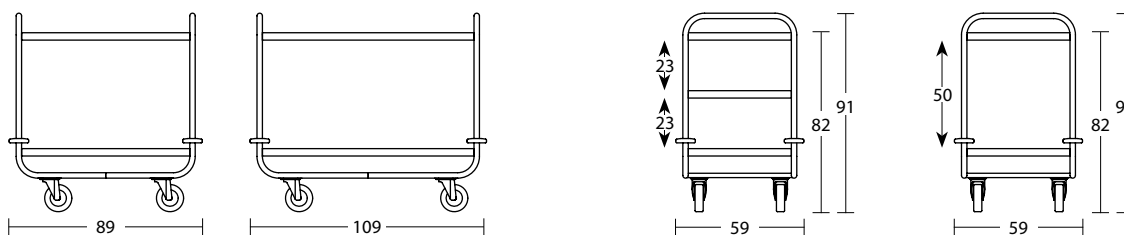
Welded shelf



REVISED RANGE
 AVAILABLE ON OUR
BROCHURE "015/016"

New
 015/016

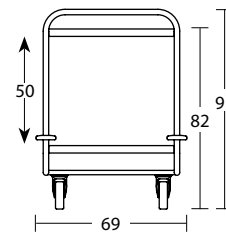
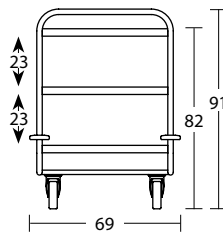
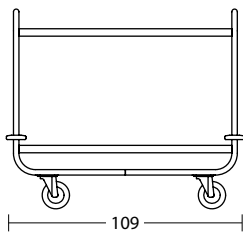
Item 1400P



Item	Tiers	Shelf dim. (cm)	Max dim. (cm)
1400CP	2	80x50	89x59x91
1405CP	3	80x50	89x59x91
1400P	2	100x50	109x59x91
1405P	3	100x50	109x59x91
1402P	2	100x60	109x69x91
1407P	3	100x60	109x69x91



Item 1405P



Options  Description For item

SE230	1	Set with 4 resilient castors (2 with brake)	All
-------	---	---	-----



Accessories  Description For item

AB02	2	PVC waste bin, 33x16x51cm	All
------	---	---------------------------	-----



AB01	3	PVC waste bin, 35x19x18cm	All
------	---	---------------------------	-----



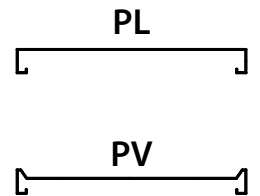
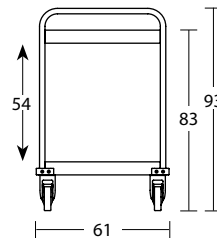
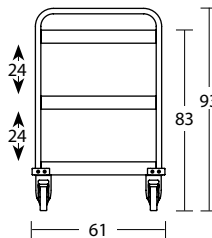
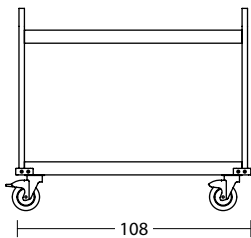
AISI 304 STAINLESS STEEL HEAVY-DUTY TROLLEYS

- Entirely made of AISI 304 stainless steel, brushed finish
- Stainless steel 2.5x2.5cm square tube frame
- Sheet steel pressed shelves (PL series) or deep tray shelves (PV series), welded to the frame
- Grey rubber ring buffers
- Swivel castors with plate support, \varnothing 12.5cm, 2 with brake



Item 1540PL

90



Item	Tiers	Shelf dim. (cm)	Max dim. (cm)
1540PL	2	100x58	108x61x93
1541PL	3	100x58	108x61x93
1540PV	2	100x58	108x61x93
1541PV	3	100x58	108x61x93

Options	Description	For item
SE330	1 Set with 4 resilient castors (2 with brake)	All



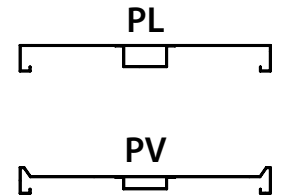
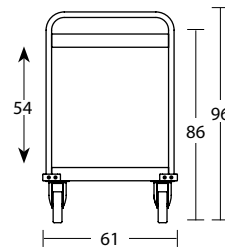
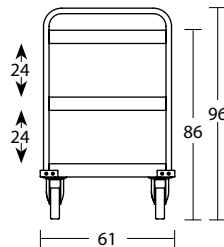
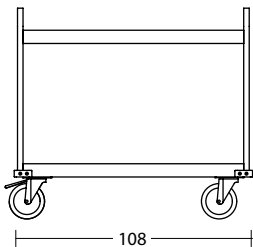
Accessories	Description	For item
AB02	2 PVC waste bin, 33x16x51cm	All
AB01	3 PVC waste bin, 35x19x18cm	All



- Entirely made of AISI 304 stainless steel, brushed finish
- Stainless steel 2.5x2.5cm square tube frame
- Sheet steel pressed shelves (PL series) or deep tray shelves (PV series) with reinforcing bar, welded to the frame
- Grey rubber ring buffers
- Swivel castors with plate support and roller bearings, ø cm 16, 2 with brake



Item 1542PV



Item	Tiers	Shelf dim. (cm)	Max dim. (cm)
1542PL	2	100x58	108x61x96
1543PL	3	100x58	108x61x96
1542PV	2	100x58	108x61x96
1543PV	3	100x58	108x61x96

Accessories	Description	For item
-------------	-------------	----------

AB02	2 PVC waste bin, 33x16x51cm	All
------	-----------------------------	-----

AB01	3 PVC waste bin, 35x19x18cm	All
------	-----------------------------	-----





WAITER'S STATIONS

- Melamine-faced frame
- Cutlery drawers with dividers, on runners
- Edges protected by rubber trim
- Castors, ø 5cm



*Matt lacquer finish in RAL colours



Cutlery drawer



Item 1600

Item	Finish	Description	Max dim. (cm)
1600	Cherry wood	2 doors + 2 cutlery drawers	94x48x145
1600W	Wenge	2 doors + 2 cutlery drawers	94x48x145
1600RAL	RAL	2 doors + 2 cutlery drawers	94x48x145
1605	Cherry wood	2 storage drawers + 2 cutlery drawers	94x48x145
1605W	Wenge	2 storage drawers + 2 cutlery drawers	94x48x145
1605RAL	RAL	2 storage drawers + 2 cutlery drawers	94x48x145
1606	Cherry wood	1 door + 1 storage drawer + 2 cutlery drawers	94x48x145
1606W	Wenge	1 door + 1 storage drawer + 2 cutlery drawers	94x48x145
1606RAL	RAL	1 door + 1 storage drawer + 2 cutlery drawers	94x48x145
1607	Cherry wood	1 door + 1 open unit + 2 cutlery drawers	94x48x145
1607W	Wenge	1 door + 1 open unit + 2 cutlery drawers	94x48x145
1607RAL	RAL	1 door + 1 open unit + 2 cutlery drawers	94x48x145

- Melamine-faced frame
- Open cutlery compartments with dividers, on runners
- Edges protected by rubber trim
- Castors, ø 5cm



*Matt lacquer finish in RAL colours



Open cutlery compartment



Item 1607FW

Item	Finish	Description	Max dim. (cm)
1600F	Cherry wood	2 doors + 2 cutlery compartments	94x48x145
1600FW	Wenge	2 doors + 2 cutlery compartments	94x48x145
1600FRAL	RAL	2 doors + 2 cutlery compartments	94x48x145
1605F	Cherry wood	2 storage drawers + 2 cutlery compartments	94x48x145
1605FW	Wenge	2 storage drawers + 2 cutlery compartments	94x48x145
1605FRAL	RAL	2 storage drawers + 2 cutlery compartments	94x48x145
1606F	Cherry wood	1 door + 1 storage drawer + 2 cutlery compartments	94x48x145
1606FW	Wenge	1 door + 1 storage drawer + 2 cutlery compartments	94x48x145
1606FRAL	RAL	1 door + 1 storage drawer + 2 cutlery compartments	94x48x145
1607F	Cherry wood	1 door + 1 open unit + 2 cutlery compartments	94x48x145
1607FW	Wenge	1 door + 1 open unit + 2 cutlery compartments	94x48x145
1607FRAL	RAL	1 door + 1 open unit + 2 cutlery compartments	94x48x145

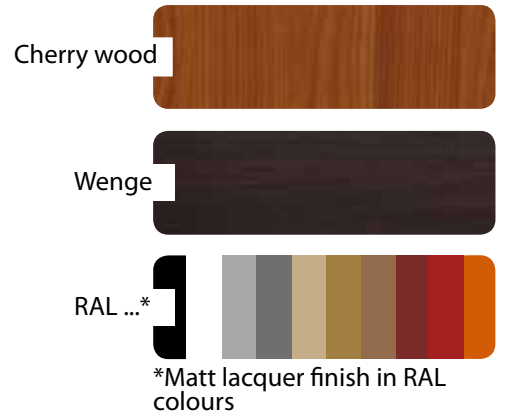
- Melamine-faced frame
- Cutlery drawers with dividers, on runners
- Edges protected by rubber trim
- Castors, ø 5cm



Item 1610

Item	Finish	Description	Max dim. (cm)
1610	Cherry wood	1 door + 1 cutlery drawer	48x48x145
1610W	Wenge	1 door + 1 cutlery drawer	48x48x145
1610RAL	RAL	1 door + 1 cutlery drawer	48x48x145
1615	Cherry wood	1 storage drawer + 1 cutlery drawer	48x48x145
1615W	Wenge	1 storage drawer + 1 cutlery drawer	48x48x145
1615RAL	RAL	1 storage drawer + 1 d cutlery rrawer	48x48x145
1616	Cherry wood	1 open unit + 1 cutlery drawer	48x48x145
1616W	Wenge	1 open unit + 1 cutlery drawer	48x48x145
1616RAL	RAL	1 open unit + 1 cutlery drawer	48x48x145

- Melamine-faced frame
- Open cutlery compartments with dividers, on runners
- Edges protected by rubber trim
- Castors, ø 5cm



Item 1616FW

Item	Finish	Description	Max dim. (cm)
1610F	Cherry wood	1 door + 1 cutlery compartment	48x48x145
1610FW	Wenge	1 door + 1 cutlery compartment	48x48x145
1610FRAL	RAL	1 door + 1 cutlery compartment	48x48x145
1615F	Cherry wood	1 storage drawer + 1 cutlery compartment	48x48x145
1615FW	Wenge	1 storage drawer + 1 cutlery compartment	48x48x145
1615FRAL	RAL	1 storage drawer + 1 cutlery compartment	48x48x145
1616F	Cherry wood	1 open unit + 1 cutlery compartment	48x48x145
1616FW	Wenge	1 open unit + 1 cutlery compartment	48x48x145
1616FRAL	RAL	1 open unit + 1 cutlery compartment	48x48x145

SERIES 1600 - DRAWERS

- Melamine-faced frame
- Cutlery drawers with dividers, on runners
- Edges protected by rubber trim
- Castors, ø 5cm



Item 1620

98

Item	Finish	Description	Max dim. (cm)
1620	Cherry wood	2 doors + 2 cutlery drawers	94x48x98
1620W	Wenge	2 doors + 2 cutlery drawers	94x48x98
1620RAL	RAL	2 doors + 2 cutlery drawers	94x48x98
1625	Cherry wood	2 storage drawers + 2 cutlery drawers	94x48x98
1625W	Wenge	2 storage drawers + 2 cutlery drawers	94x48x98
1625RAL	RAL	2 storage drawers + 2 cutlery drawers	94x48x98
1626	Cherry wood	1 door + 1 storage drawer + 2 cutlery drawers	94x48x98
1626W	Wenge	1 door + 1 storage drawer + 2 cutlery drawers	94x48x98
1626RAL	RAL	1 door + 1 storage drawer + 2 cutlery drawers	94x48x98
1627	Cherry wood	1 door + 1 open unit + 2 cutlery drawers	94x48x98
1627W	Wenge	1 door + 1 open unit + 2 cutlery drawers	94x48x98
1627RAL	RAL	1 door + 1 open unit + 2 cutlery drawers	94x48x98

- Melamine-faced frame
- Open cutlery compartments with dividers, on runners
- Edges protected by rubber trim
- Castors, ø 5cm



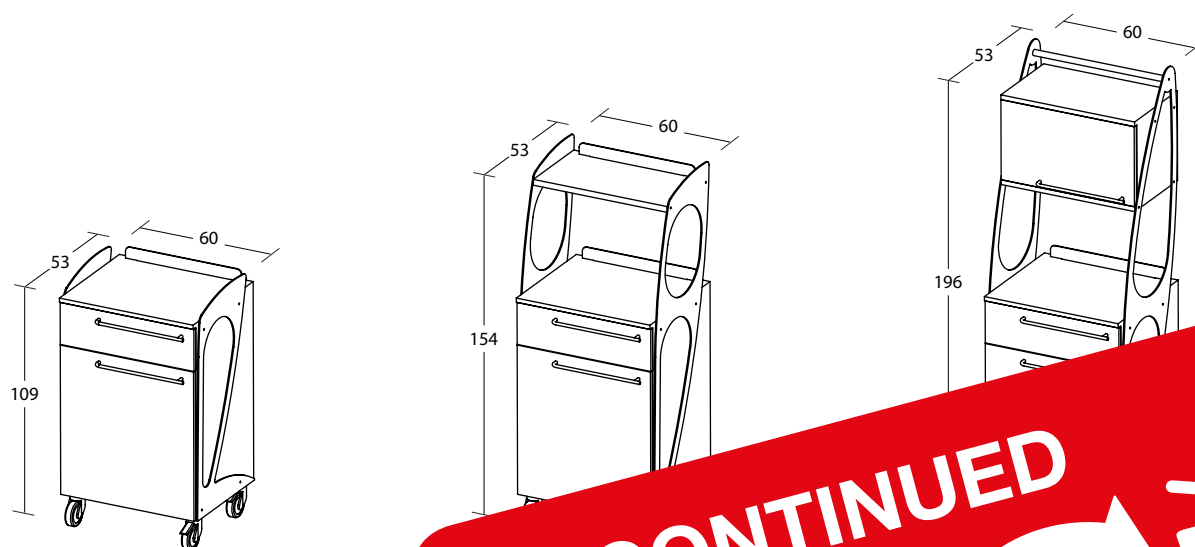
Item 1627FW

Item	Finish	Description	Max dim. (cm)
1620F	Cherry wood	2 doors + 2 cutlery compartments	94x48x98
1620FW	Wenge	2 doors + 2 cutlery compartments	94x48x98
1620FRAL	RAL	2 doors + 2 cutlery compartments	94x48x98
1625F	Cherry wood	2 storage drawers + 2 cutlery compartments	94x48x98
1625FW	Wenge	2 storage drawers + 2 cutlery compartments	94x48x98
1625FRAL	RAL	2 storage drawers + 2 cutlery compartments	94x48x98
1626F	Cherry wood	1 door + 1 storage drawer + 2 cutlery compartments	94x48x98
1626FW	Wenge	1 door + 1 storage drawer + 2 cutlery compartments	94x48x98
1626FRAL	RAL	1 door + 1 storage drawer + 2 cutlery compartments	94x48x98
1627F	Cherry wood	1 door + 1 open unit + 2 cutlery compartments	94x48x98
1627FW	Wenge	1 door + 1 open unit + 2 cutlery compartments	94x48x98
1627FRAL	RAL	1 door + 1 open unit + 2 cutlery compartments	94x48x98

- Melamine-faced cabinets
- Sheet steel side supports with bent base for castor fitting, aluminum painted and protected by clear coat
- Removable drawers on runners with detachable front for ease of cleaning
- Aluminum painted handles
- Swivel castors, ø 12.5cm, 2 with brake



Item 8500-60



DISCONTINUED
all the items

Item	Finish	Description	Max dim. (cm)
8500-60	Cherry wood	1 door + 1 drawer	60x53x109
8500W-60	Wenge	1 door + 1 drawer	60x53x109
8500RAL-60	RAL	1 door + 1 drawer	60x53x109
8510-60	Cherry wood	1 door + 1 drawer + upper shelf	60x53x154
8510W-60	Wenge	1 door + 1 drawer + upper shelf	60x53x154
8510RAL-60	RAL	1 door + 1 drawer + upper shelf	60x53x154
8520-60	Cherry wood	1 door + 1 drawer + wall cupboard	60x53x196
8520W-60	Wenge	1 door + 1 drawer + wall cupboard	60x53x196
8520RAL-60	RAL	1 door + 1 drawer + wall cupboard	60x53x196

Options		Description	For item
8610-60	1	Single storage drawer, 60cm deep	All



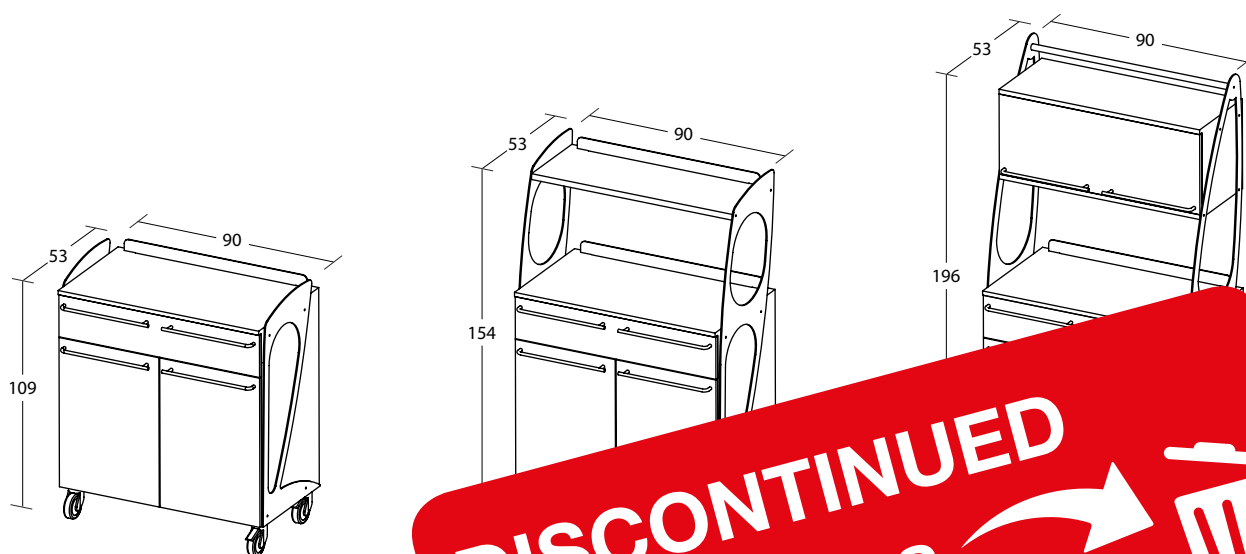
- Melamine-faced cabinets
- Sheet steel side supports with bent base for castor fitting, aluminum painted and protected by clear coat
- Removable drawers on runners with detachable front for ease of cleaning
- Aluminum painted handles
- Swivel castors, ø 12.5cm, 2 with brake



*Matt lacquer finish in RAL colours



Item 8520-90



DISCONTINUED
all the items

Item	Finish	Description	Max dim. (cm)
8500-90	Cherry wood	2 doors + 1 drawer	90x53x109
8500W-90	Wenge	2 doors + 1 drawer	90x53x109
8500RAL-90	RAL	2 doors + 1 drawer	90x53x109
8510-90	Cherry wood	2 doors + 1 drawer + upper shelf	90x53x154
8510W-90	Wenge	2 doors + 1 drawer + upper shelf	90x53x154
8510RAL-90	RAL	2 doors + 1 drawer + upper shelf	90x53x154
8520-90	Cherry wood	2 doors + 1 drawer + wall cupboard	90x53x196
8520W-90	Wenge	2 doors + 1 drawer + wall cupboard	90x53x196
8520RAL-90	RAL	2 doors + 1 drawer + wall cupboard	90x53x196

Options	Description	For item
8610-45	1 Single storage drawer, 45cm deep	All



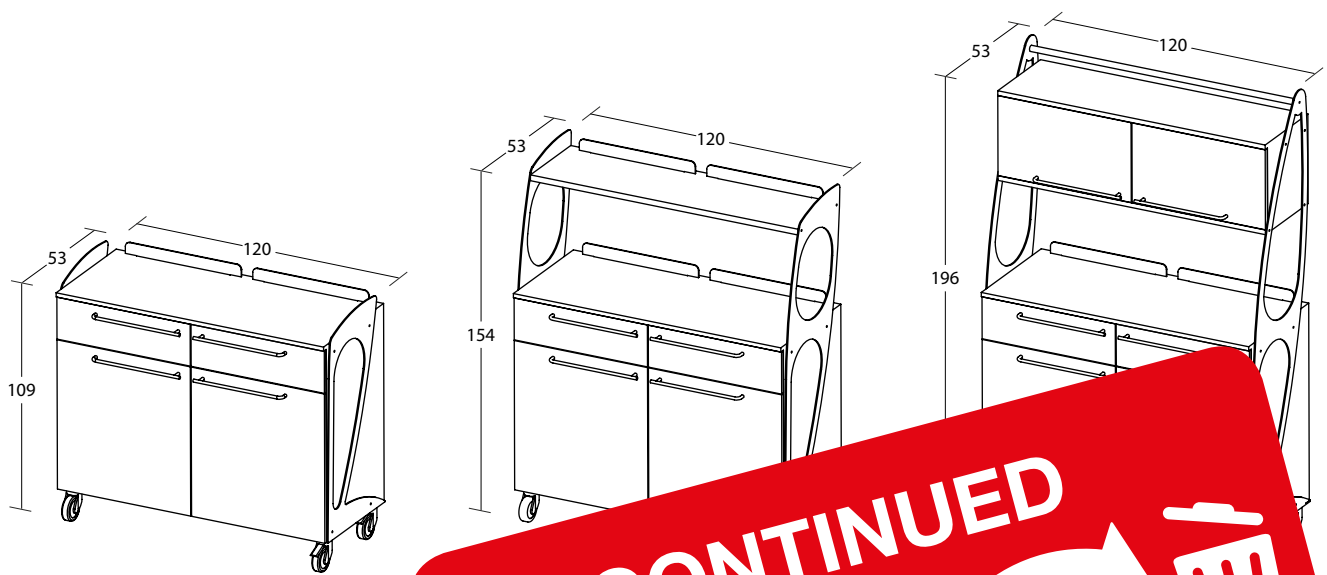
- Melamine-faced cabinets
- Sheet steel side supports with bent base for castor fitting, aluminum painted and protected by clear coat
- Removable drawers on runners with detachable front for ease of cleaning
- Aluminum painted handles
- Swivel castors, ø 12.5cm, 2 with brake



*Matt lacquer finish in RAL colours



Item 8510W-120



DISCONTINUED
all the items

Item	Finish	Description	Max dim. (cm)
8500-120	Cherry wood	2 doors + 2 drawers	120x53x109
8500W-120	Wenge	2 doors + 2 drawers	120x53x109
8500RAL-120	RAL	2 doors + 2 drawers	120x53x109
8510-120	Cherry wood	2 doors + 2 drawers + upper shelf	120x53x154
8510W-120	Wenge	2 doors + 2 drawers + upper shelf	120x53x154
8510RAL-120	RAL	2 doors + 2 drawers + upper shelf	120x53x154
8520-120	Cherry wood	2 doors + 2 drawers + wall cupboard	120x53x196
8520W-120	Wenge	2 doors + 2 drawers + wall cupboard	120x53x196
8520RAL-120	RAL	2 doors + 2 drawers + wall cupboard	120x53x196

Options	Description	For item
8610-60	1 Single storage drawer, 60cm deep	All



4

DISPLAY UNITS
(HEATED/CHILLED)



Having always been present in the HO.RE.CA. sector, we have over time managed to develop a range of products for displaying both heated and chilled foods. Thanks also to a close collaboration with our clients, the experience we have gained has allowed us to create products that, as well as being attractive, are extremely reliable and have evolved to accommodate changing tastes and needs. The common denominator of all our products is sturdiness and the use of top-quality materials.

The chapter opens with a series of trolleys that are ideal for displaying plated meals, appetizers, salads, desserts, etc.

From an aesthetic point of view we have in this case opted for construction that features the use of easy-to-clean ABS surfaces with rounded edges and toughened glass doors externally and stainless steel internally. From a technical point of view, a system of static refrigeration gives uniform temperature to the unit, maintaining the correct level of humidity. The high level of insulation offered, which is necessary in order to guarantee energy saving, has been obtained by injecting high-density expanded polyurethane foam between the external and internal walls. For the heated version, the same frame has been used, with dry resistance elements replacing the refrigerated panels. Temperatures are controlled by a digital thermostat-thermometer.

The range continues with a series of trolleys with a wooden frame and a variety of lid options; semi-cylindrical domes with opening on both sides or just one side, with chilled back, display shelf and well. All wells are fitted with a condensate drain. Should it be necessary to drain away a large quantity of liquid, the drainage aperture can be fitted with a drain tap (available on request).

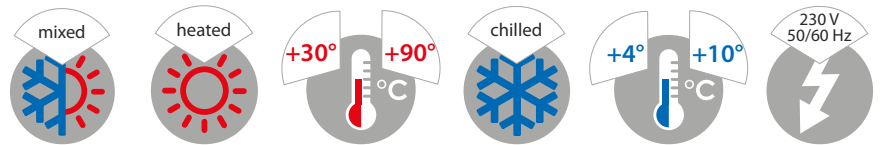
Continuing through the chapter, there are a series of appliances that can compose a "buffet" line.

These articles can be chilled, heated with a bain-marie or contain both a heated and a refrigerated section. All have lighting in the upper cover and are fitted with a sneeze guard that can be either fixed or movable, so the compartment can be closed at the end of service. On all these appliances it is possible to add a series of either wooden or metal folding tray slides. Furthermore, under the heading "drop-in" the series also includes the technical specifications of our appliances, designed to be contained in counters provided by clients.

Ambient elements, fitted with various optional extras, complete the range.

All our wooden trolleys are available in various finishes and there is a possibility to customize them further with matt finish lacquers from the "RAL" colour chart.

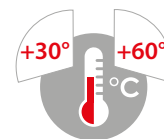
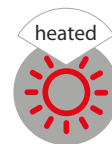
We haven't overlooked the industrial sector either, for which there is a series of trolleys with an AISI 304 stainless steel frame and Gastronorm-standard capacity, ideal for ready meals preparation assembly lines.





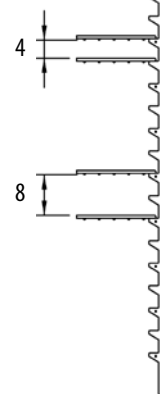
HEATED DISPLAY CASES

- Constructed from composite panels, double skinned, AISI304 stainless steel to interior, having brushed finish and ABS panels to the exterior. Insulated with injected high density expanded polyurethane
- 180° opening tempered glass doors with no sharp edges and removable PVC door seals for ease of cleaning
- Snap-closing hinges
- Stainless steel tube push handles with PVC brackets
- Interior with racks having runners spaced at 4 cms or plate holders in various capacities and sizes depending on model.
Free-to-be-arranged 65x65cm grill racks (the standard supply includes 15 grill racks spaced at 8 cms)
- Control panel with digital thermostat-thermometer and ON/OFF switch with warning light
- Mains supply: 230V, 50/60 Hz, single-phase
- 3m long coiled power cable
- Operating temperature between 30 °C and 60 °C
- Swivel castors (2 with brake), ø 12.5cm



REVISED RANGE
AVAILABLE ON OUR
BROCHURE "015/016"

New
015/016

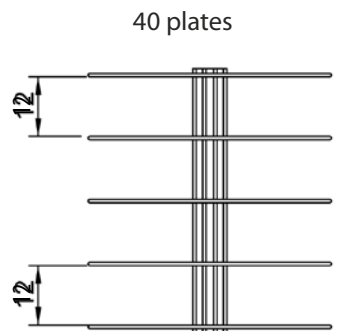
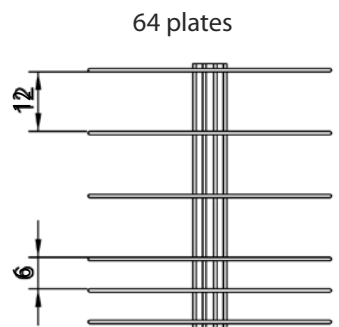
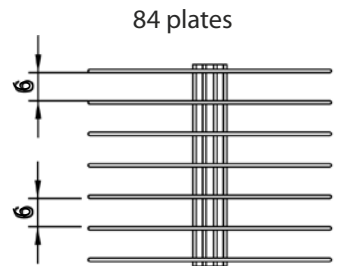


Item 3360G

Item	Supports	Power	Max dim. (cm)
3360G	15 grill racks	2000W	83x77x190
Options	Description	For item	
A0054	65x65cm grill racks	3360G	



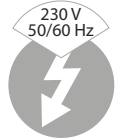
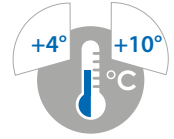
Item 3360P-84



Item	Supports	Plate \varnothing (cm)	Power	Max dim. (cm)
3360P-40	40-plate holder	18÷24	2000W	83x77x190
3360P-64	64-plate holder	18÷24	2000W	83x77x190
3360P-84	84-plate holder	18÷24	2000W	83x77x190
3361P-40	40-plate holder	24÷31	2000W	83x77x190
3361P-64	64-plate holder	24÷31	2000W	83x77x190
3361P-84	84-plate holder	24÷31	2000W	83x77x190

CHILLED DISPLAY CASES

- Constructed from composite panels, double skinned, AISI304 stainless steel to interior, having brushed finish and ABS panels to the exterior. Insulated with injected high density expanded polyurethane
- Watertight deep base having ABS panel to the interior and stainless steel to the exterior with drainage aperture
- 180° opening tempered glass doors with no sharp edges and removable PVC door seals for ease of cleaning
- Snap-closing hinges
- Stainless steel tube push bars with PVC brackets
- Interior with racks having runners spaced at 4 cms or plate holders in various capacities and sizes depending on model.
Free-to-be-arranged 65x65cm grill racks (the standard supply includes 15 grill racks spaced at 8 cms)
- Control panel with digital thermostat-thermometer and ON/OFF switch with warning light
- Mains supply: 230V, 50/60 Hz, single-phase
- Static refrigeration
- 3m long coiled power cable
- Operating temperature between 4 °C and 10 °C
- Swivel castors (2 with brake), ø 12.5cm



112

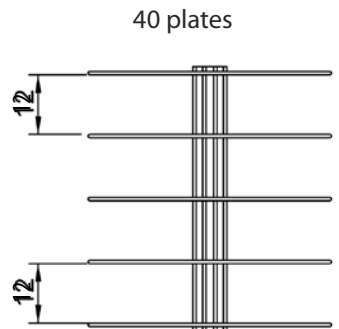
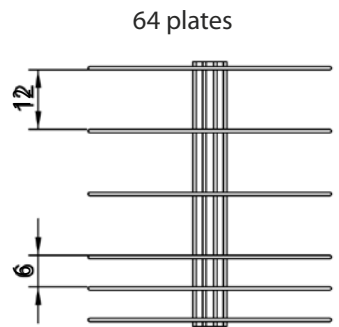
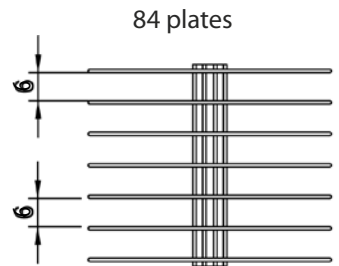


Item 3370G

Item	Supports	Power	Max dim. (cm)
3370G	15 grill racks	700W	83x77x190
Options	Description	For item	
A0055	65x65cm grill racks	3370G	



Item 3370P-84



Item	Supports	Plate ø (cm)	Power	Max dim. (cm)
3370P-40	40-plate holder	18÷24	700W	83x77x190
3370P-64	64-plate holder	18÷24	700W	83x77x190
3370P-84	84-plate holder	18÷24	700W	83x77x190
3371P-40	40-plate holder	24÷31	700W	83x77x190
3371P-64	64-plate holder	24÷31	700W	83x77x190
3371P-84	84-plate holder	24÷31	700W	83x77x190

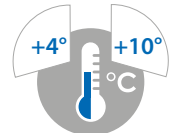
REFRIGERATED SWEET AND CHEESE TROLLEYS

- Solid wood construction with panels and plywood shelf
- Back panel and refrigerated top in AISI 304 stainless steel
- Condensate drain at base of well (drain tap available on request)
- Front opening acrylic dome
- Glass shelf
- Three-compartment cutlery drawer and sliding plate support
- Control panel with digital thermostat-thermometer and ON/OFF switch with warning light
- Mains supply: 230V, 50/60 Hz, single-phase
- Static refrigeration
- Operating temperature between 4 °C and 10 °C
- Swivel castors, ø 10cm

Cherry wood



Wenge



Item 6670

114

Item	Finish	Power	Max dim. (cm)
6670	Cherry wood	200W	108x61x112
6670W	Wenge	200W	108x61x112

Options	Description	For item
S1140	1 Set with 2 braked castors	All
SE140	2 Set with 4 resilient castors (2 with brake)	All





Item 6670W

115

Cutlery drawer



Sliding plate support



Accessories		Description	For item
A0037C	1	Bottle holder, cherry wood stained	6670
A0037W	-	Bottle holder, wenge stained	6670W
A0039	2	Push handle	All
A0083	3	Folding support, cherry wood stained	6670
A0083W	-	Folding support, wenge stained	6670W



1



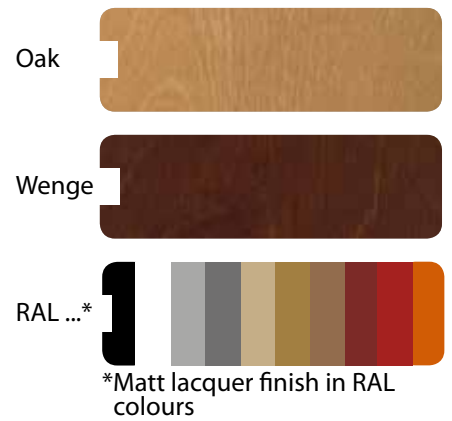
2



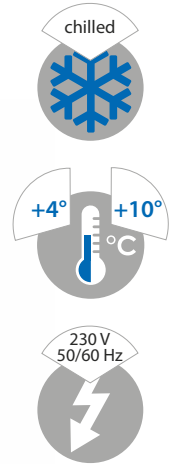
3

REFRIGERATED TROLLEYS

- Solid wood legs coated by AISI 304 stainless steel sheet, brushed finish
- Veneered wood panels
- AISI 304 stainless steel 190mm deep well for up to 150mm deep GN pans (pans sold separately)
- Condensate drain at base of well (drain tap available on request)
- Acrylic dome opening on both sides
- Control panel with digital thermostat-thermometer and ON/OFF switch with warning light
- Mains supply: 230V, 50/60 Hz, single-phase
- Static refrigeration
- Operating temperature between 4 °C and 10 °C
- Swivel castors (2 with brake), ø 12.5cm



Optional pans - see p. 162-163



Item 6930.4R + A20(x4)

Item	Finish	GN	Power	Max dim. (cm)
6930.2R	Oak	2 x 1/1	320W	80x68x120
6930.2W	Wenge	2 x 1/1	320W	80x68x120
6930.2RAL	RAL	2 x 1/1	320W	80x68x120
6930.3R	Oak	3 x 1/1	360W	113x68x120
6930.3W	Wenge	3 x 1/1	360W	113x68x120
6930.3RAL	RAL	3 x 1/1	360W	113x68x120
6930.4R	Oak	4 x 1/1	470W	161x68x120
6930.4W	Wenge	4 x 1/1	470W	161x68x120
6930.4RAL	RAL	4 x 1/1	470W	161x68x120



Item		Description
A0066		Push handle
A10	9	1/1 GN flat
A20	10	1/1 GN perforated flat



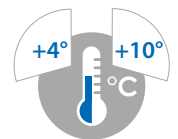
A100R	Lateral fixed wooden shelf, oak stained
A100W	Lateral fixed wooden shelf, wenge stained
A100RAL	Lateral fixed wooden shelf, RAL-colour matt lacquer
A112R	Front drop-down wooden shelf, oak stained, 2 x 1/1 GN
A112W	Front drop-down wooden shelf, wenge stained, 2 x 1/1 GN
A112RAL	Front drop-down wooden shelf, RAL-colour matt lacquer, 2 x 1/1 GN
A113R	Front drop-down wooden shelf, oak stained, 3 x 1/1 GN
A113W	Front drop-down wooden shelf, wenge stained, 3 x 1/1 GN
A113RAL	Front drop-down wooden shelf, RAL-colour matt lacquer, 3 x 1/1 GN
A114R	Front drop-down wooden shelf, oak stained, 4 x 1/1 GN
A114W	Front drop-down wooden shelf, wenge stained, 4 x 1/1 GN
A114RAL	Front drop-down wooden shelf, RAL-colour matt lacquer, 4 x 1/1 GN
A120R	Lateral fixed wooden shelf, oak stained with tray slide
A120W	Lateral fixed wooden shelf, wenge stained with tray slide
A120RAL	Lateral fixed wooden shelf, RAL-colour matt lacquer, with tray slide
A122R	Front drop-down wooden shelf, oak stained, 2 x 1/1 GN, with tray slide
A122W	Front drop-down wooden shelf, wenge stained, 2 x 1/1 GN, with tray slide
A122RAL	Front drop-down wooden shelf, RAL-colour matt lacquer, 2 x 1/1 GN, with tray slide
A123R	Front drop-down wooden shelf, oak stained, 3 x 1/1 GN, with tray slide
A123W	Front drop-down wooden shelf, wenge stained, 3 x 1/1 GN, with tray slide
A123RAL	Front drop-down wooden shelf, RAL-colour matt lacquer, 3x1/1 GN, with tray slide
A124R	Front drop-down wooden shelf, oak stained, 4 x 1/1 GN, with tray slide
A124W	Front drop-down wooden shelf, wenge stained, 4 x 1/1 GN, with tray slide
A124RAL	Front drop-down wooden shelf, RAL-colour matt lacquer, 4 x 1/1 GN, with tray slide

REFRIGERATED TROLLEYS

- Solid wood legs coated by AISI 304 stainless steel sheet, brushed finish
- Veneered wood panels
- AISI 304 stainless steel 190mm deep well for up to 150mm deep GN pans (pans sold separately)
- Condensate drain at base of well (drain tap available on request)
- Front opening acrylic dome with wooden shelf at the top
- Control panel with digital thermostat-thermometer and ON/OFF switch with warning light
- Mains supply: 230V, 50/60 Hz, single-phase
- Static refrigeration
- Operating temperature between 4 °C and 10 °C
- Swivel castors (2 with brake), ø 12.5cm




Optional pans - see p. 162-163



Item 6940.4R + pans

Item	Finish	GN	Power	Max dim. (cm)
6940.2R	Oak	2 x 1/1	320W	80x68x122
6940.2W	Wenge	2 x 1/1	320W	80x68x122
6940.2RAL	RAL	2 x 1/1	320W	80x68x122
6940.3R	Oak	3 x 1/1	360W	113x68x122
6940.3W	Wenge	3 x 1/1	360W	113x68x122
6940.3RAL	RAL	3 x 1/1	360W	113x68x122
6940.4R	Oak	4 x 1/1	470W	161x68x122
6940.4W	Wenge	4 x 1/1	470W	161x68x122
6940.4RAL	RAL	4 x 1/1	470W	161x68x122



Item		Description
A0066	-	Push handle
A10	9	1/1 GN flat
A20	10	1/1 GN perforated flat

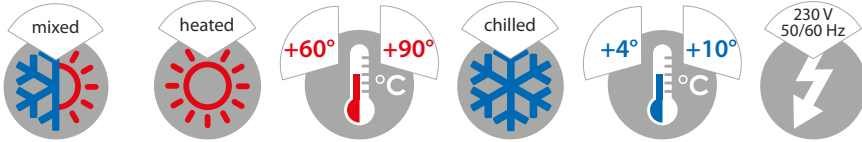


A100R	Lateral fixed wooden shelf, oak stained
A100W	Lateral fixed wooden shelf, wenge stained
A100RAL	Lateral fixed wooden shelf, RAL-colour matt lacquer
A112R	Front drop-down wooden shelf, oak stained, 2 x 1/1 GN
A112W	Front drop-down wooden shelf, wenge stained, 2 x 1/1 GN
A112RAL	Front drop-down wooden shelf, RAL-colour matt lacquer, 2 x 1/1 GN
A113R	Front drop-down wooden shelf, oak stained, 3 x 1/1 GN
A113W	Front drop-down wooden shelf, wenge stained, 3 x 1/1 GN
A113RAL	Front drop-down wooden shelf, RAL-colour matt lacquer, 3 x 1/1 GN
A114R	Front drop-down wooden shelf, oak stained, 4 x 1/1 GN
A114W	Front drop-down wooden shelf, wenge stained, 4 x 1/1 GN
A114RAL	Front drop-down wooden shelf, RAL-colour matt lacquer, 4 x 1/1 GN
A120R	Lateral fixed wooden shelf, oak stained with tray slide
A120W	Lateral fixed wooden shelf, wenge stained with tray slide
A120RAL	Lateral fixed wooden shelf, RAL-colour matt lacquer, with tray slide
A122R	Front drop-down wooden shelf, oak stained, 2 x 1/1 GN, with tray slide
A122W	Front drop-down wooden shelf, wenge stained, 2 x 1/1 GN, with tray slide
A122RAL	Front drop-down wooden shelf, RAL-colour matt lacquer, 2 x 1/1 GN, with tray slide
A123R	Front drop-down wooden shelf, oak stained, 3 x 1/1 GN, with tray slide
A123W	Front drop-down wooden shelf, wenge stained, 3 x 1/1 GN, with tray slide
A123RAL	Front drop-down wooden shelf, RAL-colour matt lacquer, 3x1/1 GN, with tray slide
A124R	Front drop-down wooden shelf, oak stained, 4 x 1/1 GN, with tray slide
A124W	Front drop-down wooden shelf, wenge stained, 4 x 1/1 GN, with tray slide
A124RAL	Front drop-down wooden shelf, RAL-colour matt lacquer, 4 x 1/1 GN, with tray slide

PRESENTATION OF HOT AND CHILLED BUFFET MOBILE COUNTERS

A new range of buffet mobile counters with chilled, heated or mixed elements suitable for GN use – from 2 x 1/1 to 6 x 1/1 – available in a number of original colours and finishes.

The new multifunctional buffet mobile counters can be used to display hot or cold food, ensuring controlled temperature throughout the duration of the service. The modular elements mix and match to create a whole self-service line.



*Matt lacquer finish in RAL colours

120



PRESENTATION OF HOT AND CHILLED BUFFET MOBILE COUNTERS



Wooden cover with or without rails to fit to the stainless steel overshelf



Infrared overhead gantry



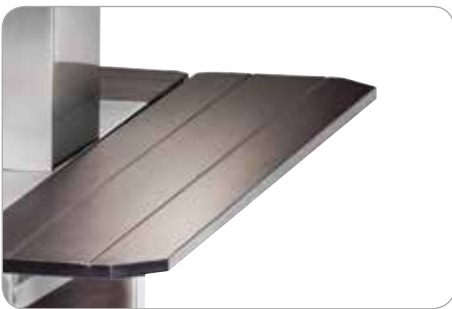
Adjustable lift-up sneeze guard



1/1 GN flat



1/1 GN perforated flat



Lateral fixed wood shelf/support



Drop-down wood shelf/support



Wooden shelves with inlaid tray slide



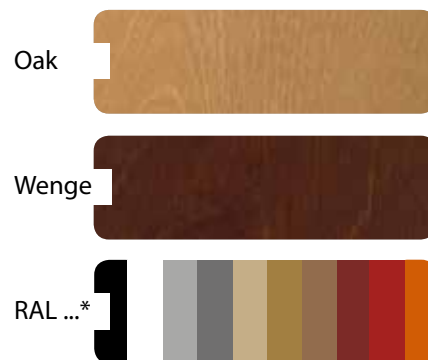
Stainless steel sheet shelves



Stainless steel rodded tray slides

CHILLED BUFFET MOBILE COUNTERS WITH FIXED SNEEZE GUARD - FLUORESCENT LIGHTING

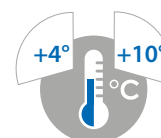
- Solid wood legs coated by AISI 304 stainless steel sheet, brushed finish
- Veneered wood panels
- AISI 304 stainless steel 190mm deep well for up to 150mm deep GN pans (pans sold separately)
- Condensate drain at base of well (drain tap available on request)
- Stainless steel overhead gantry (optional wooden cover and set of rails)
- Fixed acrylic sneeze guard
- Fluorescent lighting
- Control panel with digital thermostat-thermometer and ON/OFF switch with warning light
- Mains supply: 230V, 50/60 Hz, single-phase
- Static refrigeration
- Operating temperature between 4 °C and 10 °C
- Swivel castors (2 with brake), ø 12.5cm



*Matt lacquer finish in RAL colours

Accessories and complementary elements - see p.136 - 139

Optional pans - see p. 162-163



122



Item 6900.4-W + A124W(x2) + A20(x4)



Item 6900.4-W+A20(x4)

Item	Finish	GN	Power	Max dim. (cm)
6900.2-R	Oak	2 x 1/1	335W	80x68x144
6900.2-W	Wenge	2 x 1/1	335W	80x68x144
6900.2-RAL	RAL	2 x 1/1	335W	80x68x144
6900.3-R	Oak	3 x 1/1	385W	113x68x144
6900.3-W	Wenge	3 x 1/1	385W	113x68x144
6900.3-RAL	RAL	3 x 1/1	385W	113x68x144
6900.4-R	Oak	4 x 1/1	500W	161x68x144
6900.4-W	Wenge	4 x 1/1	500W	161x68x144
6900.4-RAL	RAL	4 x 1/1	500W	161x68x144
6900.5-R	Oak	5 x 1/1	570W	193x68x144
6900.5-W	Wenge	5 x 1/1	570W	193x68x144
6900.5-RAL	RAL	5 x 1/1	570W	193x68x144
6900.6-R	Oak	6 x 1/1	625W	226x68x144
6900.6-W	Wenge	6 x 1/1	625W	226x68x144
6900.6-RAL	RAL	6 x 1/1	625W	226x68x144

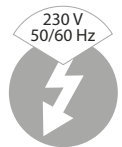
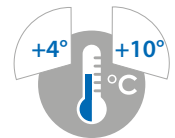
CHILLED BUFFET MOBILE COUNTERS WITH ADJUSTABLE SNEEZE GUARD - FLUORESCENT LIGHTING

- Solid wood legs coated by AISI 304 stainless steel sheet, brushed finish
- Veneered wood panels
- AISI 304 stainless steel 190mm deep well for up to 150mm deep GN pans (pans sold separately)
- Condensate drain at base of well (drain tap available on request)
- Stainless steel overhead gantry (optional wooden cover and set of rails)
- Height adjustable sneeze guard in tempered glass
- Fluorescent lighting
- Control panel with digital thermostat-thermometer and ON/OFF switch with warning light
- Mains supply: 230V, 50/60 Hz, single-phase
- Static refrigeration
- Operating temperature between 4 °C and 10 °C
- Swivel castors (2 with brake), ø 12.5cm



Accessories and complementary elements - see p.136 - 139

Optional pans - see p. 162-163



124

Item	Finish	GN	Power	Max dim. (cm)
6900.2M-R	Oak	2 x 1/1	335W	80x68x144
6900.2M-W	Wenge	2 x 1/1	335W	80x68x144
6900.2M-RAL	RAL	2 x 1/1	335W	80x68x144
6900.3M-R	Oak	3 x 1/1	385W	113x68x144
6900.3M-W	Wenge	3 x 1/1	385W	113x68x144
6900.3M-RAL	RAL	3 x 1/1	385W	113x68x144
6900.4M-R	Oak	4 x 1/1	500W	161x68x144
6900.4M-W	Wenge	4 x 1/1	500W	161x68x144
6900.4M-RAL	RAL	4 x 1/1	500W	161x68x144
6900.5M-R	Oak	5 x 1/1	570W	193x68x144
6900.5M-W	Wenge	5 x 1/1	570W	193x68x144
6900.5M-RAL	RAL	5 x 1/1	570W	193x68x144
6900.6M-R	Oak	6 x 1/1	625W	226x68x144
6900.6M-W	Wenge	6 x 1/1	625W	226x68x144
6900.6M-RAL	RAL	6 x 1/1	625W	226x68x144



Item 6900.4M-R + A124R(x2) + pans



Item 6900.4M-R + A124R(x2) + pans

HOT BUFFET MOBILE COUNTERS WITH FIXED SNEEZE GUARD – FLUORESCENT LIGHTING

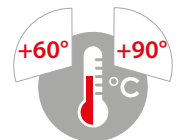
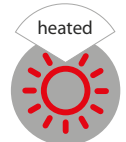
- Solid wood legs coated by AISI 304 stainless steel sheet, brushed finish
- Veneered wood panels
- AISI 304 stainless steel 190mm deep well for up to 150mm deep GN pans (pans sold separately)
- Bain-marie drain plug
- Stainless steel overhead gantry (optional wooden cover and set of rails)
- Fixed acrylic sneeze guard
- Fluorescent lighting
- Control panel with digital thermostat-thermometer and ON/OFF switch with warning light
- Mains supply: 230V, 50/60 Hz, single-phase
- Dry heating element underneath the well
- Operating temperature between 60 °C and 90 °C
- Swivel castors (2 with brake), ø 12.5cm



*Matt lacquer finish in RAL colours

Accessories and complementary elements - see p.136 - 139

Optional pans - see p. 162-163



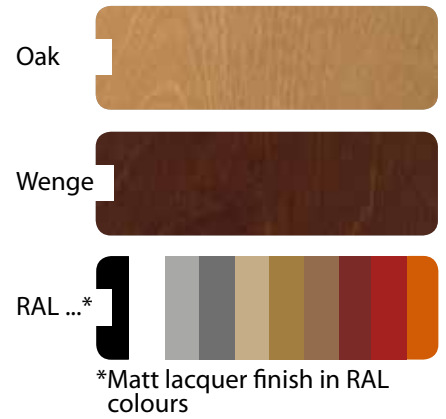


Item 6910.4-W + A124W(x2) + A20 + pans

Item	Finish	GN	Power	Max dim. (cm)
6910.2-R	Oak	2 x 1/1	1213W	80x68x144
6910.2-W	Wenge	2 x 1/1	1213W	80x68x144
6910.2-RAL	RAL	2 x 1/1	1213W	80x68x144
6910.3-R	Oak	3 x 1/1	1821W	113x68x144
6910.3-W	Wenge	3 x 1/1	1821W	113x68x144
6910.3-RAL	RAL	3 x 1/1	1821W	113x68x144
6910.4-R	Oak	4 x 1/1	2428W	161x68x144
6910.4-W	Wenge	4 x 1/1	2428W	161x68x144
6910.4-RAL	RAL	4 x 1/1	2428W	161x68x144
6910.5-R	Oak	5 x 1/1	3035W	193x68x144
6910.5-W	Wenge	5 x 1/1	3035W	193x68x144
6910.5-RAL	RAL	5 x 1/1	3035W	193x68x144
6910.6-R	Oak	6 x 1/1	3642W	226x68x144
6910.6-W	Wenge	6 x 1/1	3642W	226x68x144
6910.6-RAL	RAL	6 x 1/1	3642W	226x68x144

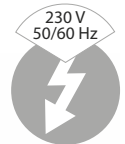
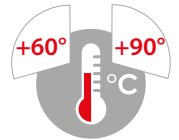
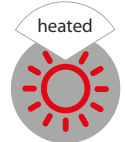
HOT BUFFET MOBILE COUNTERS WITH FIXED SNEEZE GUARD - INFRARED LAMPS

- Solid wood legs coated by AISI 304 stainless steel sheet, brushed finish
- Veneered wood panels
- AISI 304 stainless steel 190mm deep well for up to 150mm deep GN pans (pans sold separately)
- Bain-marie drain plug
- Stainless steel overhead gantry (optional wooden cover and set of rails)
- Fixed acrylic sneeze guard
- Lighting by infrared overhead gantry
- Control panel with digital thermostat-thermometer and ON/OFF switch with warning light
- Mains supply: 230V, 50/60 Hz, single-phase
- Dry heating element underneath the well
- Operating temperature between 60 °C and 90 °C
- Swivel castors (2 with brake), ø 12.5cm

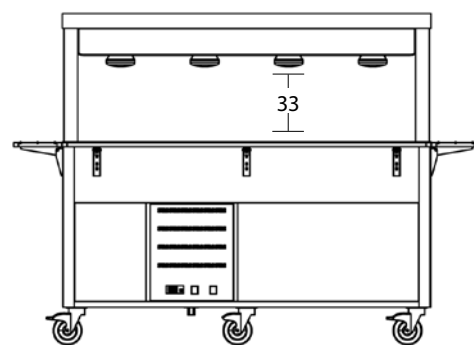


Accessories and complementary elements - see p.136 - 139

Optional pans - see p. 162-163



Item 6910.4L-W+A124W(x2)+A20(x2) + pans



Item 6910.3L-W + pans

Item	Finish	GN	Power	Max dim. (cm)
6910.2L-R	Oak	2 x 1/1	1700W	80x68x144
6910.2L-W	Wenge	2 x 1/1	1700W	80x68x144
6910.2L-RAL	RAL	2 x 1/1	1700W	80x68x144
6910.3L-R	Oak	3 x 1/1	2550W	113x68x144
6910.3L-W	Wenge	3 x 1/1	2550W	113x68x144
6910.3L-RAL	RAL	3 x 1/1	2550W	113x68x144
6910.4L-R	Oak	4 x 1/1	3400W	161x68x144
6910.4L-W	Wenge	4 x 1/1	3400W	161x68x144
6910.4L-RAL	RAL	4 x 1/1	3400W	161x68x144
6910.5L-R	Oak	5 x 1/1	4250W	193x68x144
6910.5L-W	Wenge	5 x 1/1	4250W	193x68x144
6910.5L-RAL	RAL	5 x 1/1	4250W	193x68x144
6910.6L-R	Oak	6 x 1/1	5100W	226x68x144
6910.6L-W	Wenge	6 x 1/1	5100W	226x68x144
6910.6L-RAL	RAL	6 x 1/1	5100W	226x68x144

HOT BUFFET MOBILE COUNTERS WITH ADJUSTABLE SNEEZE GUARD - FLUORESCENT LIGHTING

- Solid wood legs coated by AISI 304 stainless steel sheet, brushed finish
- Veneered wood panels
- AISI 304 stainless steel 190mm deep well for up to 150mm deep GN pans (pans sold separately)
- Bain-marie drain plug
- Stainless steel overhead gantry (optional wooden cover and set of rails)
- Height adjustable sneeze guard in tempered glass
- Fluorescent lighting
- Control panel with digital thermostat-thermometer and ON/OFF switch with warning light
- Mains supply: 230V, 50/60 Hz, single-phase
- Dry heating element underneath the well
- Operating temperature between 60 °C and 90 °C
- Swivel castors (2 with brake), ø 12.5cm

Oak



Wenge



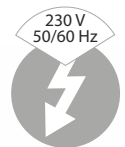
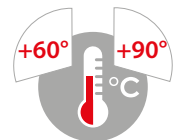
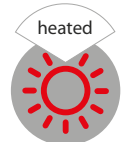
RAL ...*



*Matt lacquer finish in RAL colours

Accessories and complementary elements - see p.136 - 139

Optional pans - see p. 162-163



130



Item 6910.4M-R + A124R(x2) + pans

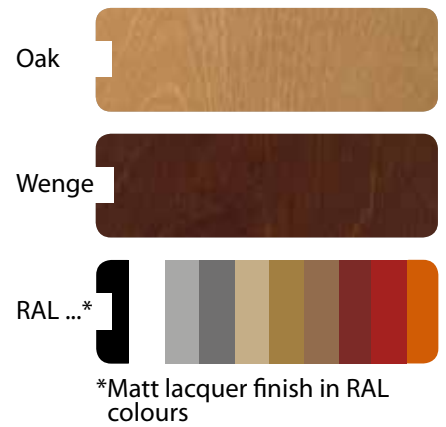


Item 6910.4M-R + A124R(x2) + pans

Item	Finish	GN	Power	Max dim. (cm)
6910.2M-R	Oak	2 x 1/1	1213W	80x68x144
6910.2M-W	Wenge	2 x 1/1	1213W	80x68x144
6910.2M-RAL	RAL	2 x 1/1	1213W	80x68x144
6910.3M-R	Oak	3 x 1/1	1821W	113x68x144
6910.3M-W	Wenge	3 x 1/1	1821W	113x68x144
6910.3M-RAL	RAL	3 x 1/1	1821W	113x68x144
6910.4M-R	Oak	4 x 1/1	2428W	161x68x144
6910.4M-W	Wenge	4 x 1/1	2428W	161x68x144
6910.4M-RAL	RAL	4 x 1/1	2428W	161x68x144
6910.5M-R	Oak	5 x 1/1	3035W	193x68x144
6910.5M-W	Wenge	5 x 1/1	3035W	193x68x144
6910.5M-RAL	RAL	5 x 1/1	3035W	193x68x144
6910.6M-R	Oak	6 x 1/1	3642W	226x68x144
6910.6M-W	Wenge	6 x 1/1	3642W	226x68x144
6910.6M-RAL	RAL	6 x 1/1	3642W	226x68x144

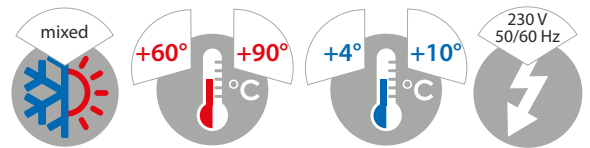
MIXED HOT/CHILLED BUFFET MOBILE COUNTERS WITH FIXED SNEEZE GUARD

- Solid wood legs coated by AISI 304 stainless steel sheet, brushed finish
- Veneered wood panels
- AISI 304 stainless steel 190mm deep well for up to 150mm deep GN pans (pans sold separately)
- Bain-marie drain tap for the heated part and condensate drip tray inside the motor compartment for the chilled part (with tap available on request)
- Stainless steel overhead gantry (optional wooden cover and set of rails)
- Fixed acrylic sneeze guard
- Fluorescent lighting
- Control panel with digital thermostat-thermometer and ON/OFF switch with warning light
- Mains supply: 230V, 50/60 Hz, single-phase
- Dry heating element underneath the well (heated compartments)
- Static refrigeration (chilled compartments)
- Operating temperature: 4 °C to 10 °C (chilled compartments), and 60 °C to 90 °C (heated compartments)
- Swivel castors (2 with brake), ø 12.5cm



Accessories and complementary elements - see p.136 - 139

Optional pans - see p. 162-163



132



Item 6920.6F3-R + A226R + A206

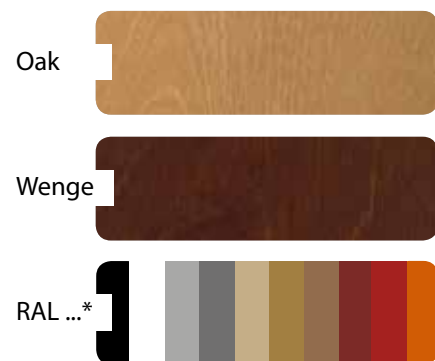


Item 6920.6F3-W + A126W(x2) + A20(x6)

Item	Finish	GN compartments	Power	Max dim. (cm)
6920.4F2-R	Oak	2 heated - 2 chilled	1550W	161X68X144
6920.4F2-W	Wenge	2 heated - 2 chilled	1550W	161X68X144
6920.4F2-RAL	RAL	2 heated - 2 chilled	1550W	161X68X144
6920.5F2-R	Oak	3 heated - 2 chilled	2155W	193X68X144
6920.5F2-W	Wenge	3 heated - 2 chilled	2155W	193X68X144
6920.5F2-RAL	RAL	3 heated - 2 chilled	2155W	193X68X144
6920.5F3-R	Oak	2 heated - 3 chilled	1595W	193X68X144
6920.5F3-W	Wenge	2 heated - 3 chilled	1595W	193X68X144
6920.5F3-RAL	RAL	2 heated - 3 chilled	1595W	193X68X144
6920.6F3-R	Oak	3 heated - 3 chilled	2205W	226X68X144
6920.6F3-W	Wenge	3 heated - 3 chilled	2205W	226X68X144
6920.6F3-RAL	RAL	3 heated - 3 chilled	2205W	226X68X144

MIXED HOT/CHILLED BUFFET MOBILE COUNTERS WITH ADJUSTABLE SNEEZE GUARD

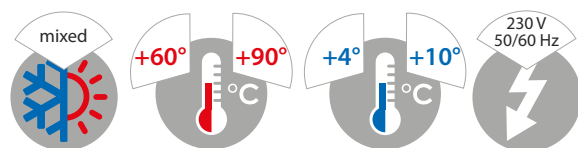
- Solid wood legs coated by AISI 304 stainless steel sheet, brushed finish
- Veneered wood panels
- AISI 304 stainless steel 190mm deep well for up to 150mm deep GN pans (pans sold separately)
- Bain-marie drain tap for the heated part and condensate drip tray inside the motor compartment for the chilled part (with tap available on request)
- Stainless steel overhead gantry (optional wooden cover and set of rails)
- Height adjustable sneeze guard in tempered glass
- Fluorescent lighting
- Control panel with digital thermostat-thermometer and ON/OFF switch with warning light
- Mains supply: 230V, 50/60 Hz, single-phase
- Dry heating element underneath the well (heated compartments)
- Static refrigeration (chilled compartments)
- Operating temperature: 4 °C to 10 °C (chilled compartments), and 60 °C to 90 °C (heated compartments)
- Swivel castors (2 with brake), ø 12.5cm



*Matt lacquer finish in RAL colours

Accessories and complementary elements - see p.136 - 139

Optional pans - see p. 162-163



134



Item 6920.6F3M-W + A126W(x2) + pans



Item 6920.6F3M-W +A126W(x2) + pans

Item	Finish	GN compartments	Power	Max dim. (cm)
6920.4F2M-R	Oak	2 heated - 2 chilled	1550W	161X68X144
6920.4F2M-W	Wenge	2 heated - 2 chilled	1550W	161X68X144
6920.4F2M-RAL	RAL	2 heated - 2 chilled	1550W	161X68X144
6920.5F2M-R	Oak	3 heated - 2 chilled	2155W	193X68X144
6920.5F2M-W	Wenge	3 heated - 2 chilled	2155W	193X68X144
6920.5F2M-RAL	RAL	3 heated - 2 chilled	2155W	193X68X144
6920.5F3M-R	Oak	2 heated - 3 chilled	1595W	193X68X144
6920.5F3M-W	Wenge	2 heated - 3 chilled	1595W	193X68X144
6920.5F3M-RAL	RAL	2 heated - 3 chilled	1595W	193X68X144
6920.6F3M-R	Oak	3 heated - 3 chilled	2205W	226X68X144
6920.6F3M-W	Wenge	3 heated - 3 chilled	2205W	226X68X144
6920.6F3M-RAL	RAL	3 heated - 3 chilled	2205W	226X68X144

BUFFET COUNTER ACCESSORIES

Accessories			Description
Oak	Wenge	RAL	
A120R	A120W		Lateral fixed shelf, with tray slide
A122R	A122W		Front drop-down shelf, 2 x 1/1 GN, with tray slide
A123R	A123W		Front drop-down shelf, 3 x 1/1 GN, with tray slide
A124R	A124W		Front drop-down shelf, 4 x 1/1 GN, with tray slide
A125R	A125W		Front drop-down shelf, 5 x 1/1 GN, with tray slide
A126R	A126W		Front drop-down shelf, 6 x 1/1 GN, with tray slide
		A120RAL	Lateral fixed shelf, with tray slide
		A122RAL	Front drop-down shelf, 2 x 1/1 GN, with tray slide
		A123RAL	Front drop-down shelf, 3 x 1/1 GN, with tray slide
		A124RAL	Front drop-down shelf, 4 x 1/1 GN, with tray slide
		A125RAL	Front drop-down shelf, 5 x 1/1 GN, with tray slide
		A126RAL	Front drop-down shelf, 6 x 1/1 GN, with tray slide
A100R	A100W		Lateral fixed shelf
A112R	A112W		Front drop-down shelf, 2 x 1/1 GN
A113R	A113W		Front drop-down shelf, 3 x 1/1 GN
A114R	A114W		Front drop-down shelf, 4 x 1/1 GN
A115R	A115W		Front drop-down shelf, 5 x 1/1 GN
A116R	A116W		Front drop-down shelf, 6 x 1/1 GN
		A100RAL	Lateral fixed shelf
		A112RAL	Front drop-down shelf, 2 x 1/1 GN
		A113RAL	Front drop-down shelf, 3 x 1/1 GN
		A114RAL	Front drop-down shelf, 4 x 1/1 GN
		A115RAL	Front drop-down shelf, 5 x 1/1 GN
		A116RAL	Front drop-down shelf, 6 x 1/1 GN

136



Accessories			Description
Oak	Wenge	RAL	
A222R	A222W		1 Wooden top cover, 2 x 1/1 GN
A223R	A223W		1 Wooden top cover, 3 x 1/1 GN
A224R	A224W		1 Wooden top cover, 4 x 1/1 GN
A225R	A225W		1 Wooden top cover, 5 x 1/1 GN
A226R	A226W		1 Wooden top cover, 6 x 1/1 GN
	A222RAL		1 Wooden top cover, 2 x 1/1 GN
	A223RAL		1 Wooden top cover, 3 x 1/1 GN
	A224RAL		1 Wooden top cover, 4 x 1/1 GN
	A225RAL		1 Wooden top cover, 5 x 1/1 GN
	A226RAL		1 Wooden top cover, 6 x 1/1 GN
A202			1 Set of rails for wooden top cover, 2 x 1/1 GN
A203			1 Set of rails for wooden top cover, 3 x 1/1 GN
A204			1 Set of rails for wooden top cover, 4 x 1/1 GN
A205			1 Set of rails for wooden top cover, 5 x 1/1 GN
A206			1 Set of rails for wooden top cover, 6 x 1/1 GN



Accessories			Description
A10			9 1/1 GN flat
A20			10 1/1 GN perforated flat



Accessories			Description
A132			7 Front drop-down stainless steel shelf, 2x1/1 GN
A133			7 Front drop-down stainless steel shelf, 3x1/1 GN
A134			7 Front drop-down stainless steel shelf, 4x1/1 GN
A135			7 Front drop-down stainless steel shelf, 5x1/1 GN
A136			7 Front drop-down stainless steel shelf, 6x1/1 GN
A142			8 Front drop-down stainless steel rodded tray slide, 2x1/1 GN
A143			8 Front drop-down stainless steel rodded tray slide, 3x1/1 GN
A144			8 Front drop-down stainless steel rodded tray slide, 4x1/1 GN
A145			8 Front drop-down stainless steel rodded tray slide, 5x1/1 GN
A146			8 Front drop-down stainless steel rodded tray slide, 6x1/1 GN



BUFFET COUNTER COMPLEMENTARY ELEMENTS

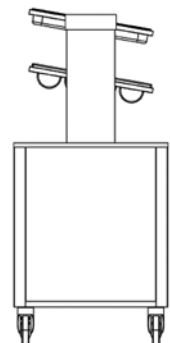
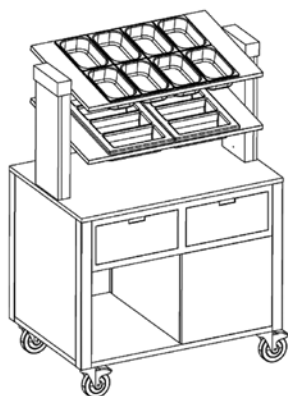
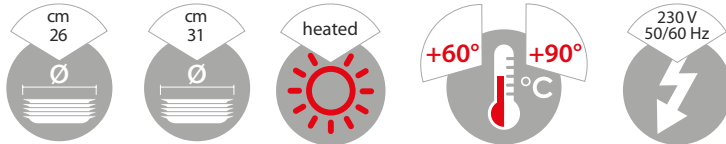
A triangular corner unit and various end of counter mobile cabinets for plates, trays and cutlery. These complement the buffet display units and utilize valuable corner space.

The mobile cabinets can be fitted with a wide range of accessories: plate dispensers and lowerators, drawers, doors, open compartments and shelves for trays/glasses/cutlery.

- Solid wood legs coated by AISI 304 stainless steel sheet, brushed finish
- Veneered wood panels
- Swivel castors (2 with brake), ø 12.5cm

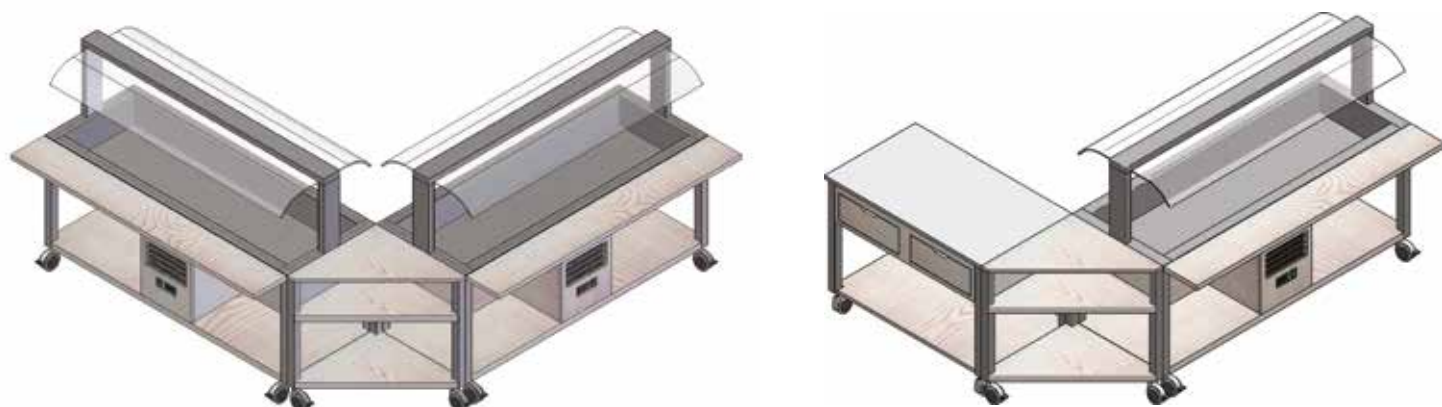


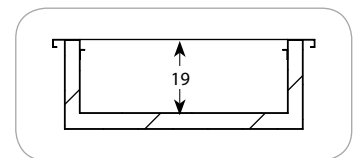
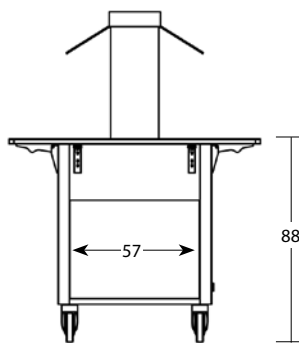
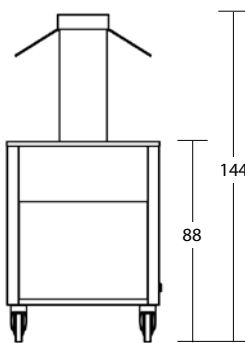
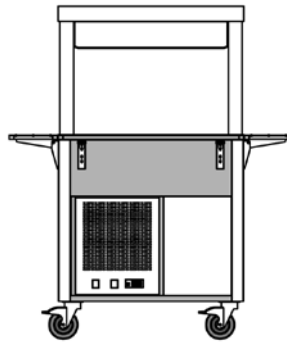
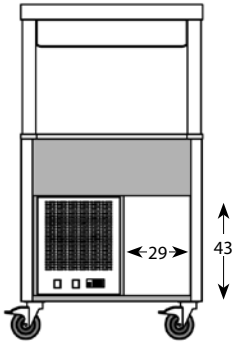
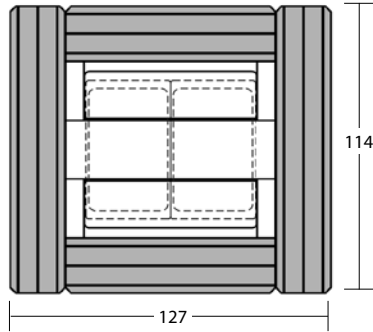
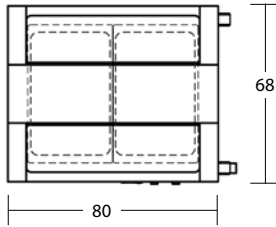
*Matt lacquer finish in RAL colours

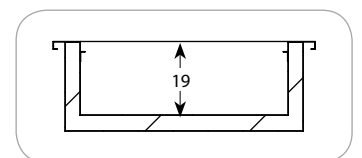
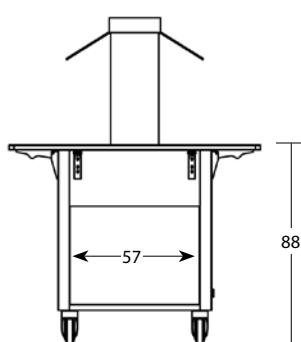
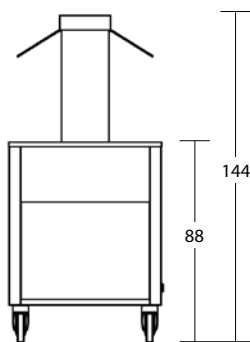
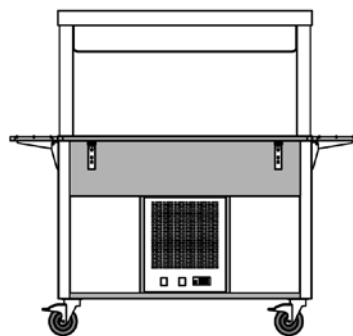
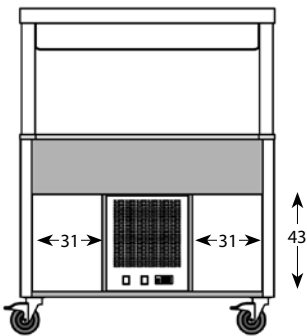
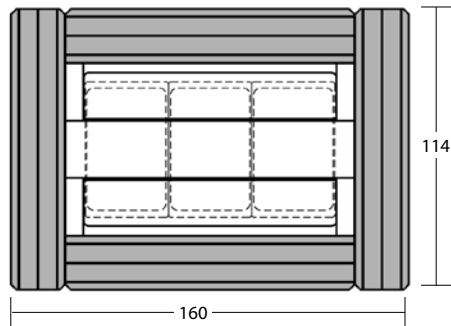
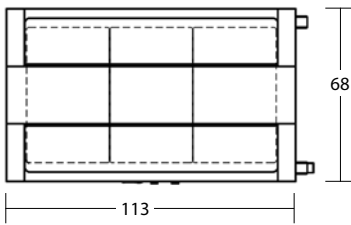
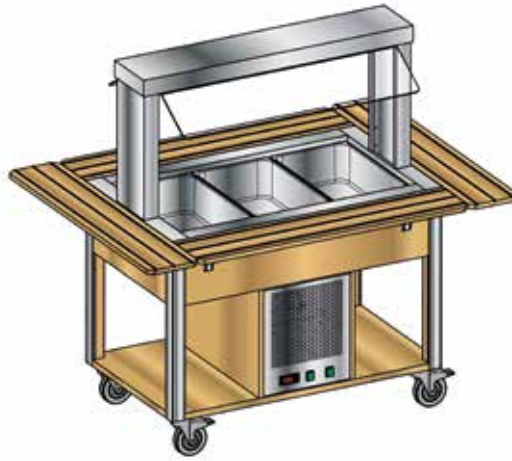
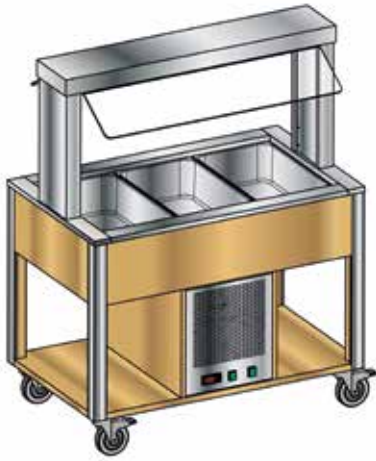


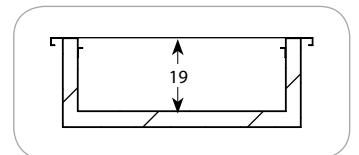
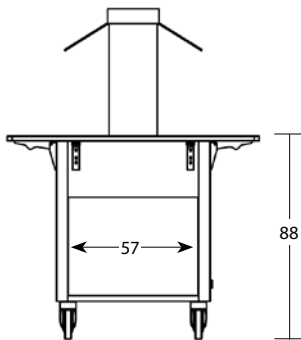
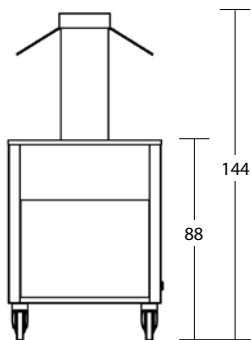
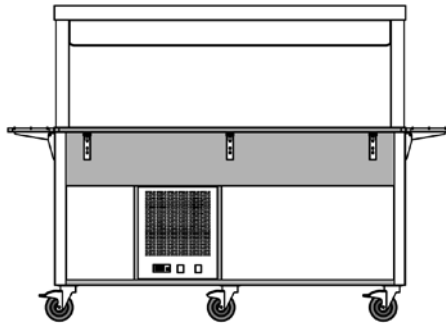
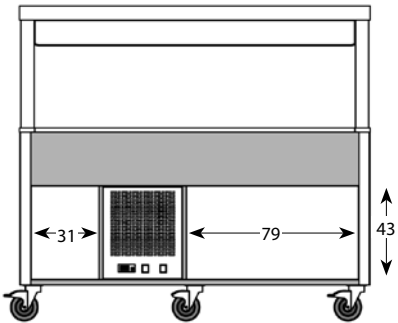
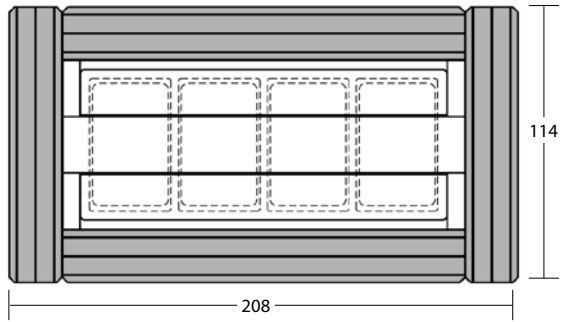
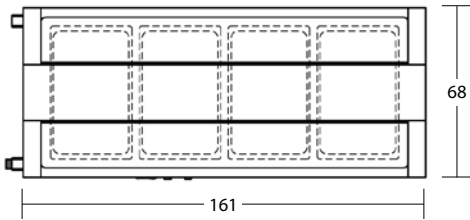


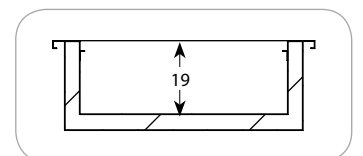
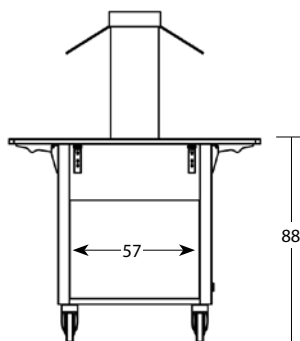
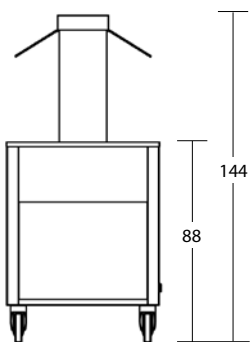
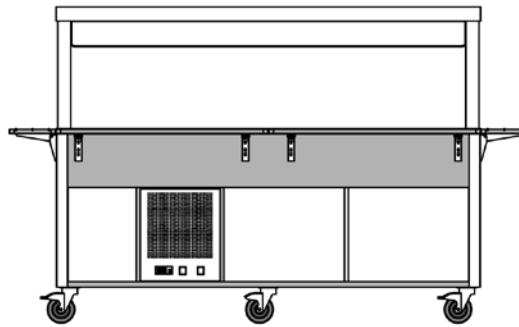
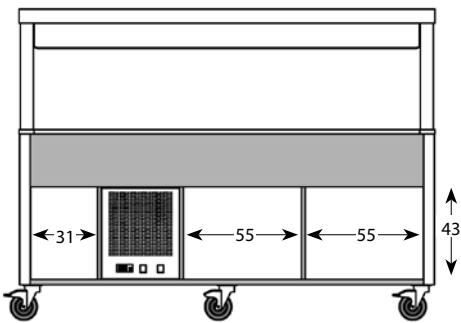
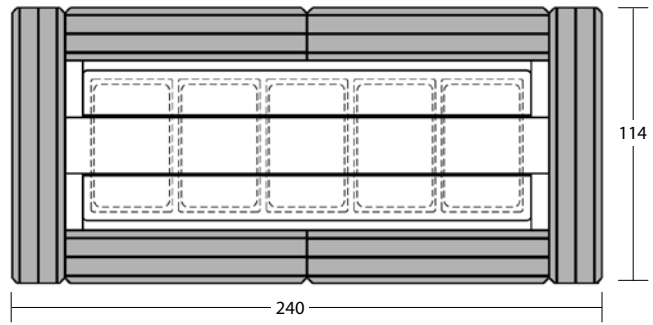
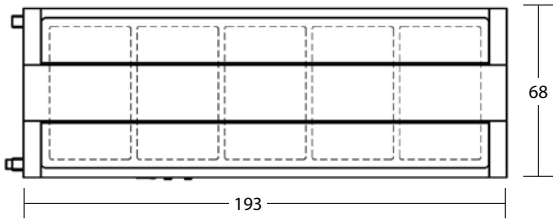
Item			Description	Max dim. (cm)
<i>Oak</i>	<i>Wenge</i>	<i>Ral</i>		
6900.A01R	6900.A01W		Multi-tier corner trolley	68x68x88
		6900.A01RAL	Multi-tier corner trolley	68x68x88
6900.A02R	6900.A02W		Mobile cabinet with 2 drawers, 1 door, 1 open compartment	100x68x88
		6900.A02RAL	Mobile cabinet with 2 drawers, 1 door, 1 open compartment	100x68x88
6900.A10R	6900.A10W		Mobile cabinet with 26cm diam. plate lowerator	100x68x88
		6900.A10RAL	Mobile cabinet with 26cm diam. plate lowerator	100x68x88
6900.A12R	6900.A12W		Mobile cabinet with 31cm diam. plate lowerator	100x68x88
		6900.A12RAL	Mobile cabinet with 31cm diam. plate lowerator	100x68x88
6900.A14R	6900.A14W		1200W heated mobile cabinet with 26cm diam. plate lowerator	100x68x88
		6900.A14RAL	1200W heated mobile cabinet with 26cm diam. plate lowerator	100x68x88
6900.A16R	6900.A16W		1200W heated mobile cabinet with 31cm diam. plate lowerator	100x68x88
		6900.A16RAL	1200W heated mobile cabinet with 31cm diam. plate lowerator	100x68x88
6900.A20R	6900.A20W		End of counter mobile cabinet for trays/glasses/cutlery	100x68x144
		6900.A20R AL	End of counter mobile cabinet for trays/glasses/cutlery	100x68x144

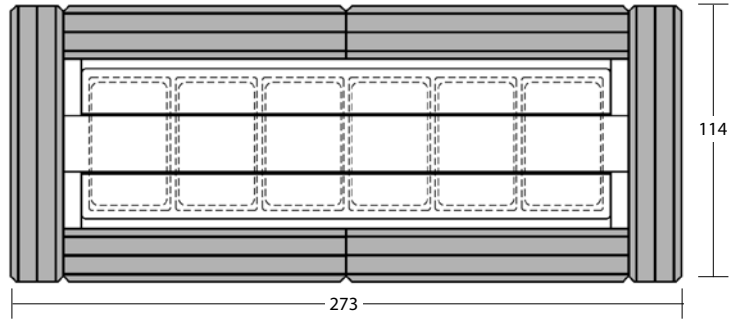
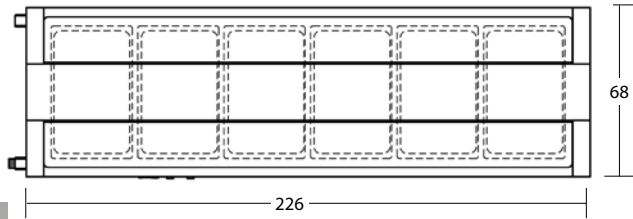




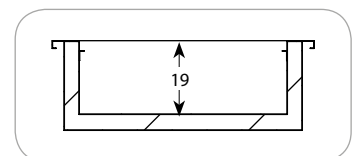
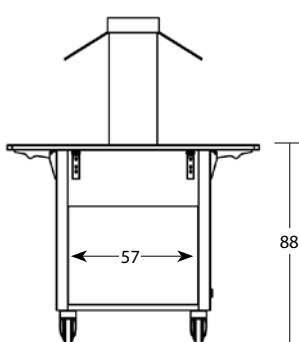
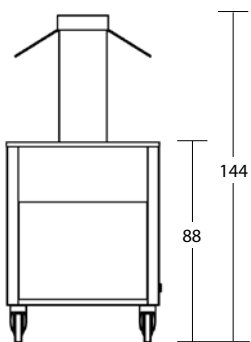
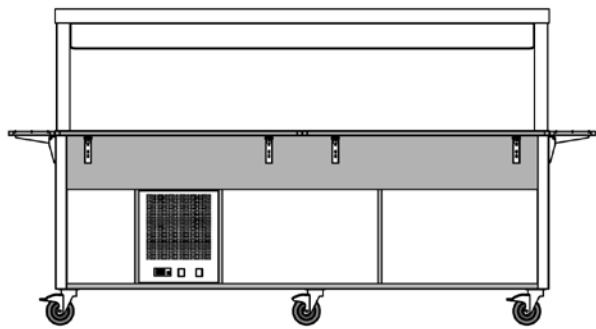
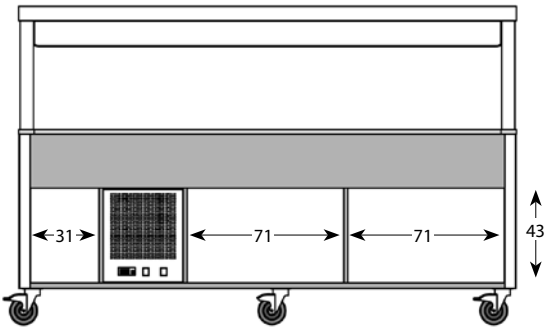








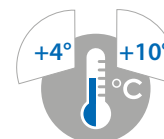
144





REFRIGERATED DROP-IN WELLS

- AISI 304 stainless steel 190mm deep well for up to 150mm deep GN pans (pans sold separately)
- Drain at base of well and condensate drip tray inside the motor compartment
- Stainless steel overhead gantry (optional wooden cover and set of rails)
- Fixed or movable tempered glass sneeze guard depending on model
- Fluorescent lighting
- Control panel with digital thermostat-thermometer and ON/OFF switches with warning light
- Mains supply: 230V, 50/60 Hz, single-phase
- Static refrigeration
- Operating temperature between 4 °C and 10 °C



Optional pans - see p. 162-163

Item 6980.4 + A20(x4)

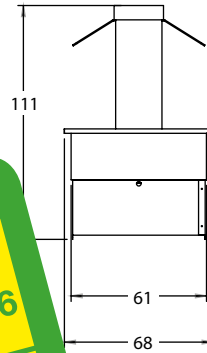
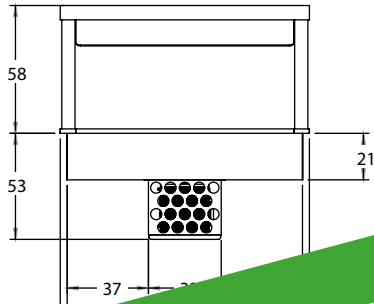
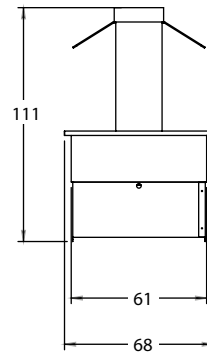
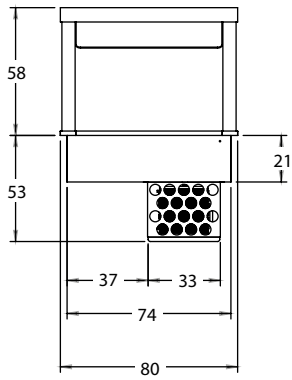


146

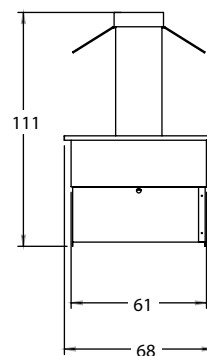
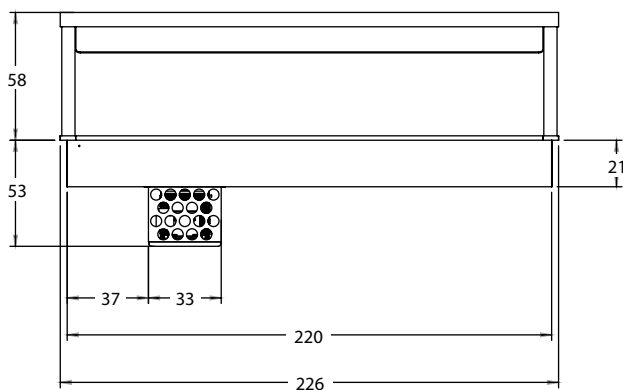
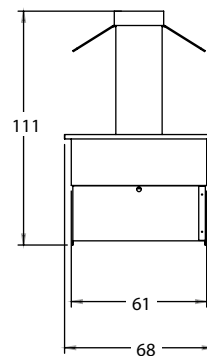
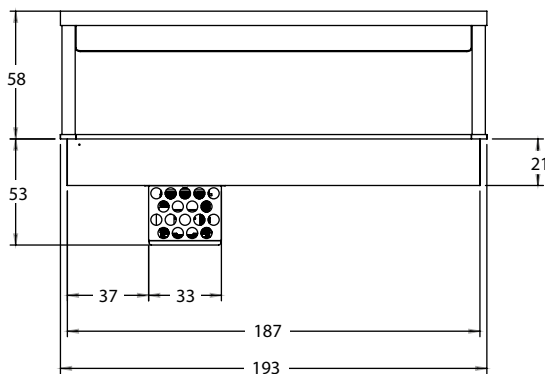
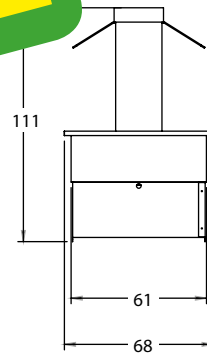
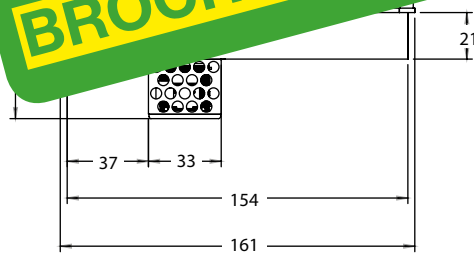
Item	GN	Description	Power	Max dim. (cm)
6980.2	2 x 1/1	Fixed sneeze guard	335W	80x68x111
6980.3	3 x 1/1	Fixed sneeze guard	385W	113x68x111
6980.4	4 x 1/1	Fixed sneeze guard	500W	161x68x111
6980.5	5 x 1/1	Fixed sneeze guard	570W	193x68x111
6980.6	6 x 1/1	Fixed sneeze guard	625W	226x68x111
6980.2M	2 x 1/1	Adjustable sneeze guard	335W	80x68x111
6980.3M	3 x 1/1	Adjustable sneeze guard	385W	113x68x111
6980.4M	4 x 1/1	Adjustable sneeze guard	500W	161x68x111
6980.5M	5 x 1/1	Adjustable sneeze guard	570W	193x68x111
6980.6M	6 x 1/1	Adjustable sneeze guard	625W	226x68x111

Accessories		Description
A10	9	1/1 GN flat
A20	10	1/1 GN perforated flat



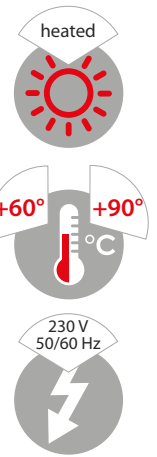


REVISED RANGE
AVAILABLE ON OUR
BROCHURE "015/016" → **New 015/016**



HEATED DROP-IN WELLS

- AISI 304 stainless steel 190mm deep well for up to 150mm deep GN pans (pans sold separately)
- Drain at base of well with drain tap
- Stainless steel overhead gantry (optional wooden cover and set of rails)
- Tempered glass sneeze guard, fixed or height adjustable depending on model
- Lighting - fluorescent or by infrared overhead gantry
- Control panel with digital thermostat-thermometer and ON/OFF switch with warning light
- Mains supply: 230V, 50/60 Hz, single-phase
- Dry heating element underneath the well
- Operating temperature between 60 °C and 90 °C



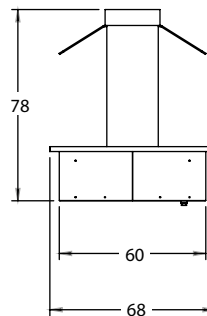
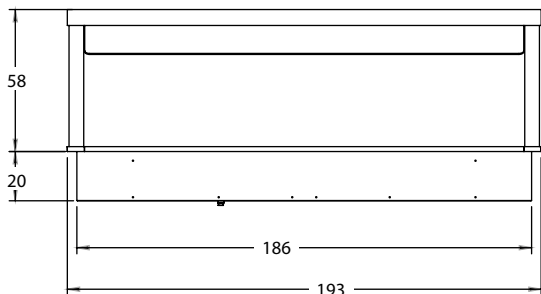
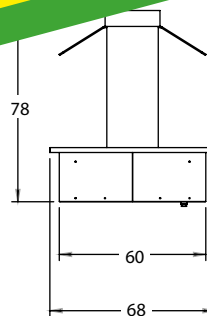
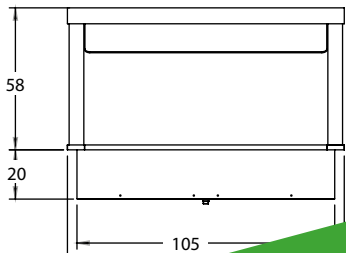
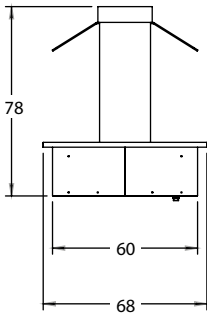
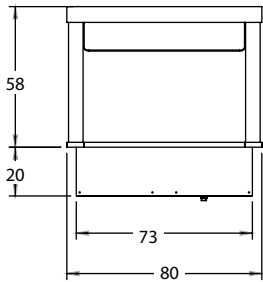
Optional pans - see p. 162-163



148


Item 6990.4 + A20(x4)

Item	GN	Description	Lighting	Power	Max dim. (cm)
6990.2	2 x 1/1	Fixed sneeze guard	Fluorescent	1213W	80x68x78
6990.3	3 x 1/1	Fixed sneeze guard	Fluorescent	1821W	113x68x78
6990.4	4 x 1/1	Fixed sneeze guard	Fluorescent	2428W	161x68x78
6990.5	5 x 1/1	Fixed sneeze guard	Fluorescent	3035W	193x68x78
6990.2M	2 x 1/1	Adjustable sneeze guard	Fluorescent	1213W	80x68x78
6990.3M	3 x 1/1	Adjustable sneeze guard	Fluorescent	1821W	113x68x78
6990.4M	4 x 1/1	Adjustable sneeze guard	Fluorescent	2428W	161x68x78
6990.5M	5 x 1/1	Adjustable sneeze guard	Fluorescent	3035W	193x68x78
6990.2L	2 x 1/1	Fixed sneeze guard	Infrared	1700W	80x68x78
6990.3L	3 x 1/1	Fixed sneeze guard	Infrared	2550W	113x68x78
6990.4L	4 x 1/1	Fixed sneeze guard	Infrared	3400W	161x68x78
6990.5L	5 x 1/1	Fixed sneeze guard	Infrared	4250W	193x68x78



REVISED RANGE
AVAILABLE ON OUR
BROCHURE "015/016"

New
015/016

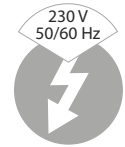
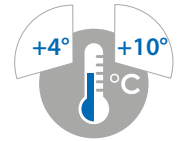
Accessories  Description

- A10 9 1/1 GN flat
- A20 10 1/1 GN perforated flat



STAINLESS STEEL REFRIGERATED TROLLEYS

- AISI 304 stainless steel sheet construction, brushed finish
- Push handle
- Bottom shelves
- AISI 304 stainless steel 190mm deep well for up to 150mm deep GN pans (pans sold separately)
- Condensate drain at base of well with drain tap
- Acrylic dome opening on both sides (optional)
- Control panel with digital thermostat-thermometer and ON/OFF switch with warning light
- Mains supply: 230V, 50/60 Hz, single-phase
- Static refrigeration
- Operating temperature between 4 °C and 10 °C
- All round grey non marking rubber bumper
- Swivel castors (2 with brake), ø 12.5cm



Optional pans - see p. 162-163



150

ART. 6960.3+A143 + pans

Item	GN	Power	Max dim. (cm)
6960.2	2 x 1/1	320W	87x75x88
6960.3	3 x 1/1	360W	120x75x88
6960.4	4 x 1/1	470W	168x75x88

Accessories		Description	For item
T0020	1	Glass sneeze guard, 2 x 1/1GN	6960.2
T0022	1	Glass sneeze guard, 3 x 1/1GN	6960.3
T0024	1	Glass sneeze guard, 4 x 1/1GN	6960.4



433004200018	2	Acrylic dome opening on both sides	6960.2
433004200017	2	Acrylic dome opening on one side	6960.3
433004200014	2	Acrylic dome opening on front	6960.4



Accessories		Description
A10	9	1/1 GN flat
A20	10	1/1 GN perforated flat



Item A10

9



Item A20

10

Accessories		Description
A132	7	Front drop-down stainless steel shelf, 2 x 1/1 GN
A133	7	Front drop-down stainless steel shelf, 3 x 1/1 GN
A134	7	Front drop-down stainless steel shelf, 4 x 1/1 GN
A142	8	Front drop-down stainless steel rodded tray slide, 2 x 1/1 GN
A143	8	Front drop-down stainless steel rodded tray slide, 3 x 1/1 GN
A144	8	Front drop-down stainless steel rodded tray slide, 4 x 1/1 GN



7



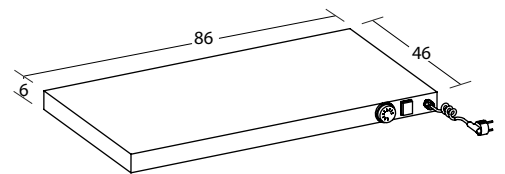
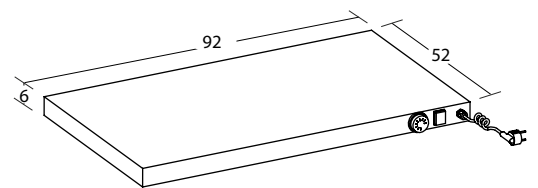
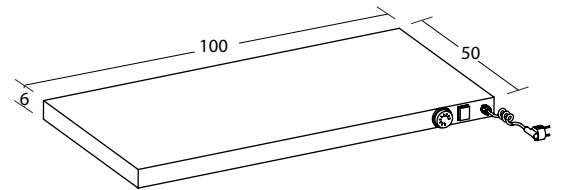
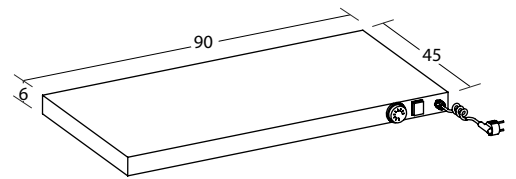
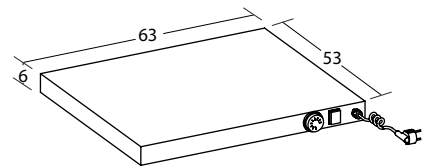
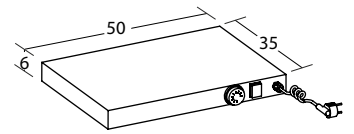
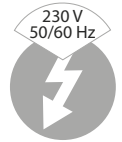
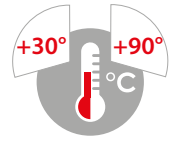
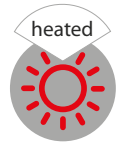
8



HOTPLATES AND
BAIN MARIE TROLLEYS

COUNTERTOP HOTPLATES

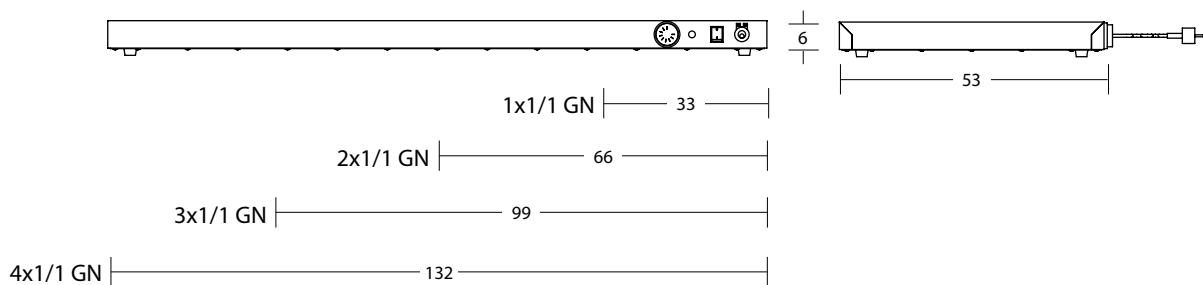
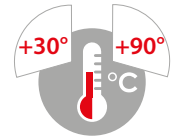
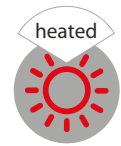
- AISI 304 stainless steel sheet top
- Heated by electrical resistance
- ON/OFF switch with LED
- Thermostatic control from + 30 °C to + 90 °C
- Mains supply: 230V, 50/60 Hz, single-phase
- Rubber support feet



154

Item	Power	Max dim. (cm)
9035	250W	50x35x6
9040	300W	63x53x6
9045	450W	90x45x6
9050	600W	100x50x6
9051	600W	92x52x6
9053	450W	86x46x6

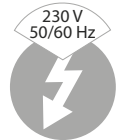
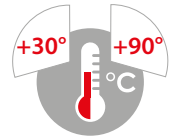
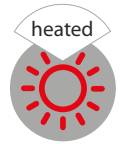
- AISI 304 stainless steel sheet top
- Heated by electrical resistance
- ON/OFF switch with LED
- Thermostatic control from + 30 °C to + 90 °C
- Mains supply: 230V, 50/60 Hz, single-phase
- Rubber support feet



Item	GN	Power	Max dim. (cm)
9080	1x1/1	350W	33x53x6
9082	2x1/1	650W	66x53x6
9084	3x1/1	1000W	99x53x6
9086	4x1/1	1300W	132x53x6

COUNTERTOP HOTPLATES WITH GLASS TOP

- Stainless steel sheet construction with glass top
- Heated by electrical resistance
- ON/OFF switch with LED
- Thermostatic control from + 30 °C to + 90 °C
- Mains supply: 230V, 50/60 Hz, single-phase
- Rubber support feet

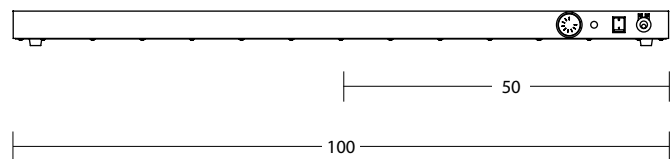
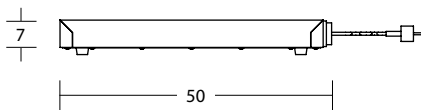


Item 9050V

156

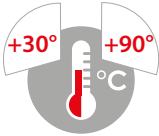
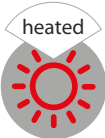


Item 90100V

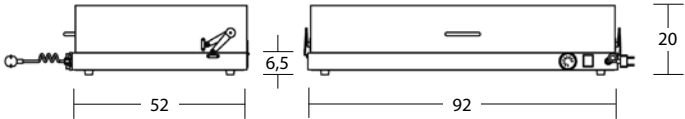


Item	Power	Max dim. (cm)
9050V	600W	50x50x7
90100V	1200W	100x50x7

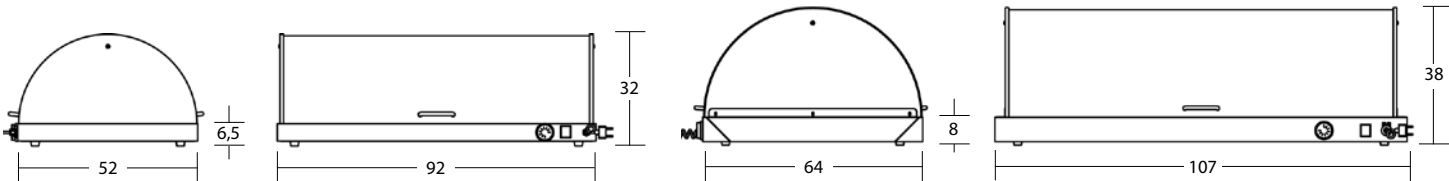
- AISI 304 stainless steel sheet top
- Acrylic dome
- Heated by electrical resistance
- ON/OFF switch with LED
- Thermostatic control from + 30 °C to + 90 °C
- Mains supply: 230V, 50/60 Hz, single-phase
- Rubber support feet



Item 9060



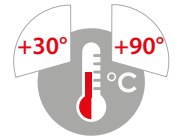
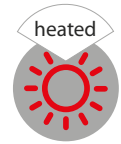
Item 9070



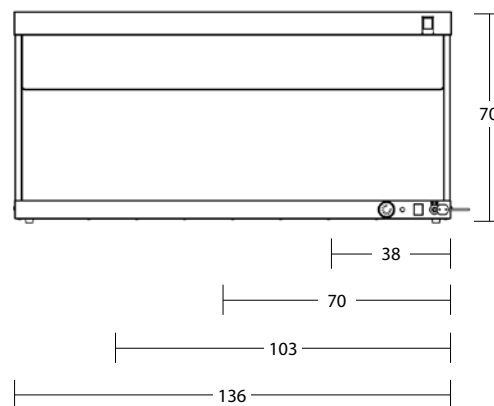
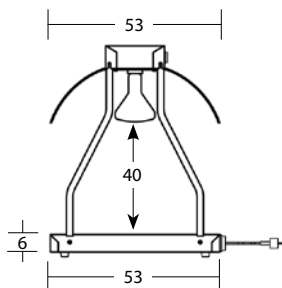
Item	Dome	Power	Max dim. (cm)
9060	Rectangular, hinged	450W	92x52x20
9070	Round, opening on both sides	450W	92x52x32
9072	Round, opening on both sides	750W	107x64x38

COUNTERTOP HOTPLATES WITH INFRARED OVERHEAD GANTRY

- AISI 304 stainless steel sheet top
- Upper frame in tube and stainless steel sheet, built in and recessed to facilitate integration with other units
- Acrylic curved sneeze guard
- 250W infrared lamps
- Heated by electrical resistance
- Separate switches for hotplate and infrared lamps, complete with warning light
- Thermostatic control from + 30 °C to + 90 °C
- Mains supply: 230V, 50/60 Hz, single-phase
- Rubber support feet

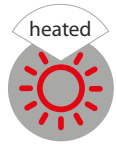


Item 9566

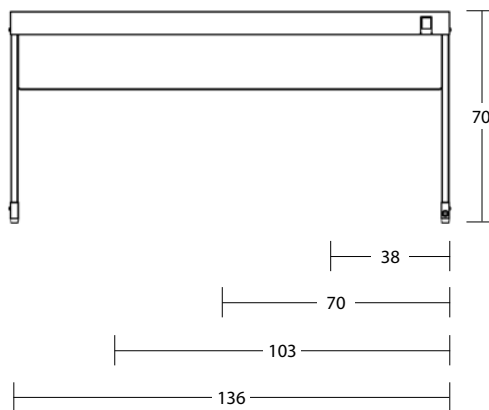
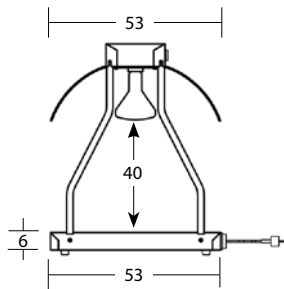


Item	GN	Bulbs	Power	Max dim. (cm)
9564	1x1/1	1	600W	38x53x70
9566	2x1/1	2	1150W	70x53x70
9568	3x1/1	3	1750W	103x53x70
9570	4x1/1	4	2300W	136x53x70

- Upper frame in tube and stainless steel sheet
- Acrylic curved sneeze guard
- 250W infrared lamps
- ON/OFF switch with LED
- Mains supply: 230V, 50/60 Hz, single-phase
- Rubber support feet



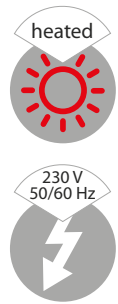
Item 9568T



Item	GN	Bulbs	Power	Max dim. (cm)
9564T	1x1/1	1	250W	38x53x70
9566T	2x1/1	2	500W	70x53x70
9568T	3x1/1	3	750W	103x53x70
9570T	4x1/1	4	1000W	136x53x70

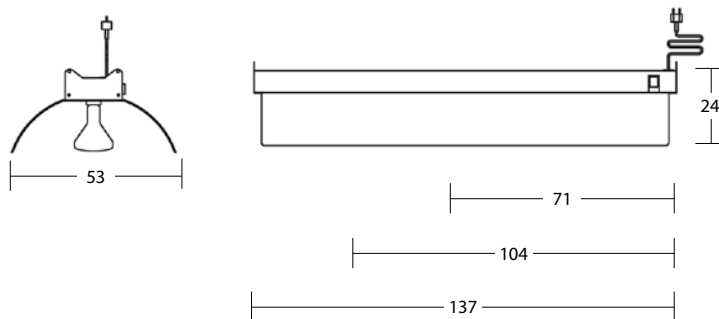
SUSPENDED INFRARED HEATED GANTRY

- Suspended stainless steel heating gantry
- Acrylic curved sneeze guard
- 250W infrared lamps
- ON/OFF switch with LED
- Mains supply: 230V, 50/60 Hz, single-phase



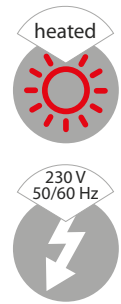
Item 9568S

160



Item	GN	Bulbs	Power	Max dim. (cm)
9566S	2x1/1	2	500W	71x53x24
9568S	3x1/1	3	750W	104x53x24
9570S	4x1/1	4	1000W	137x53x24

- Lampholder finish: aluminum (item 9502) or copper (item 9504)
- Lampholder body: aluminum (item 9510A), copper (item 9512A), chrome-plated copper (item 9511A)
- 250W infrared lamp
- ON/OFF switch on lampholder body
- Mains supply: 230V, 50/60 Hz, single-phase
- Adjustable height depending on model



Item 9502

DISCONTINUED



Item 9504



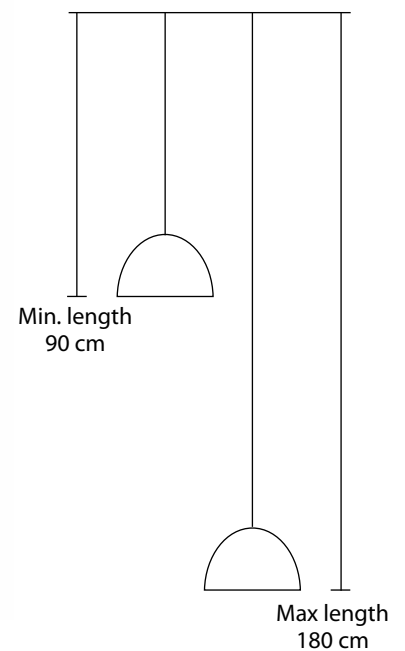
Item 9511A



Item 9510A



Item 9512A



Item	Finish	Cable length	Power	Max dim. (cm)
9502	Aluminum	Fixed, 95 cm	250W	ø 18
9504	Copper	Fixed, 95 cm	250W	ø 18
9510A	Aluminum	Adjustable, 90 - 180 cm	250W	ø 23
9511A	Chrome-plated	Adjustable, 90 - 180 cm	250W	ø 23
9512A	Copper	Adjustable, 90 - 180 cm	250W	ø 23

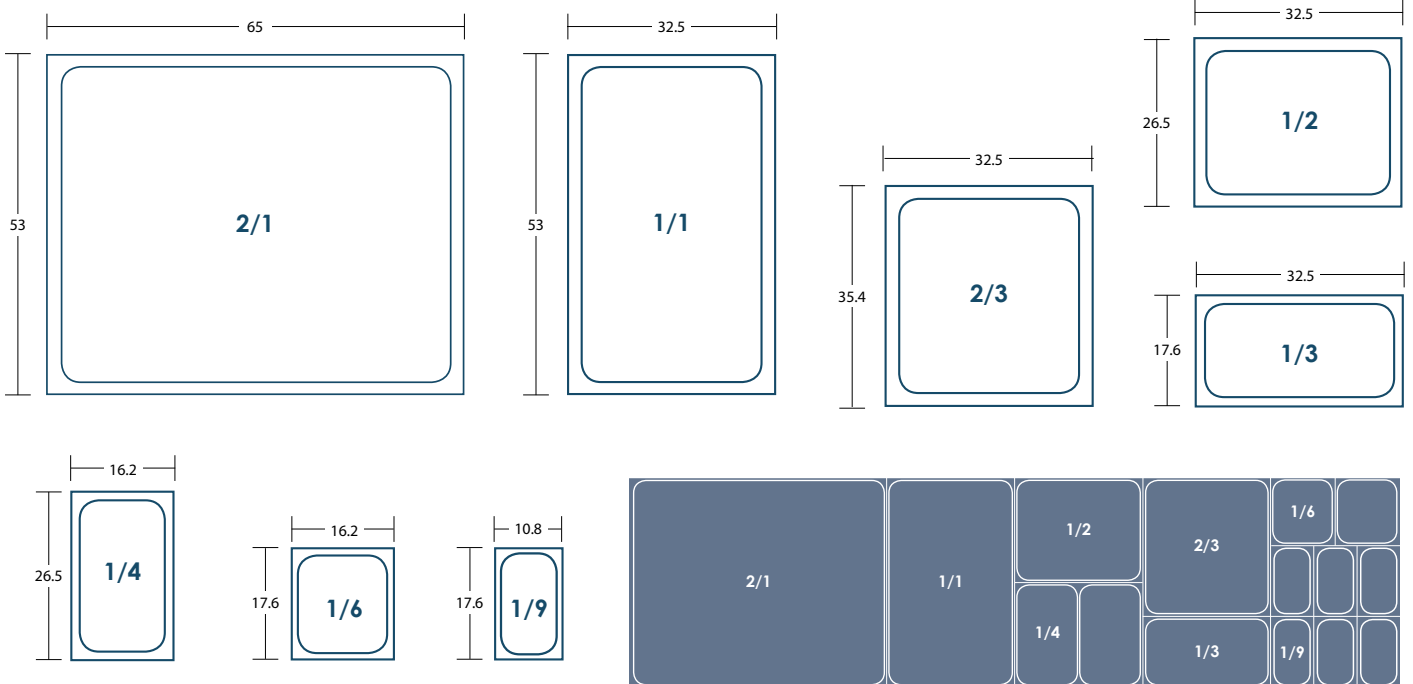
STAINLESS STEEL GASTRONORMS

Hot cupboards for meal distribution, as well as buffet display cases, Bain Marie trolleys and a few types of hotplates are designed in compliance with Gastronorm size standards.

Stainless steel Gastronorm containers are widely used in the catering industry for food storage. Lids are also available. Dividers are needed to fit a number of containers into the trolley wells.



GASTRONORM SIZES



162

LIDS FOR GASTRONORMS

Item	GN	Max dim. (cm)
B0190	1/1	32.5x53
B0290	2/3	32.5x35.4
B0390	1/2	26.5x32.5
B0490	1/3	17.6x32.5
B0590	1/4	26.5x16.2
B0690	1/6	17.6x16.2

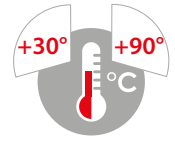
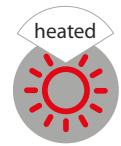
DIVIDERS FOR GASTRONORMS

Item	GN	Max dim. (cm)
B0002	1/1	53
B0004	1/2	32.5

Item	GN	Depth (cm)	Max dim. (cm)	Capacity (L)
B0010	2/1	2	65x53	5.6
B0020	2/1	4	65x53	11
B0030	2/1	6.5	65x53	18
B0040	2/1	10	65x53	30
B0050	2/1	15	65x53	43
B0060	2/1	20	65x53	58
B0110	1/1	2	32.5x53	2.8
B0120	1/1	4	32.5x53	5.5
B0130	1/1	6.5	32.5x53	9
B0140	1/1	10	32.5x53	4
B0150	1/1	15	32.5x53	20
B0160	1/1	20	32.5x53	28
B0210	2/3	2	32.5x35.4	14
B0220	2/3	4	32.5x35.4	2.6
B0230	2/3	6.5	32.5x35.4	4
B0240	2/3	10	32.5x35.4	6
B0250	2/3	15	32.5x35.4	9
B0260	2/3	20	32.5x35.4	12
B0310	1/2	2	26.5x32.5	14
B0320	1/2	4	26.5x32.5	2.6
B0330	1/2	6.5	26.5x32.5	4
B0340	1/2	10	26.5x32.5	6
B0350	1/2	15	26.5x32.5	9
B0360	1/2	20	26.5x32.5	12
B0410	1/3	2	17.6x32.5	0.9
B0420	1/3	4	17.6x32.5	18
B0430	1/3	6.5	17.6x32.5	2.4
B0440	1/3	10	17.6x32.5	3.5
B0450	1/3	15	17.6x32.5	5.4
B0460	1/3	20	17.6x32.5	7.2
B0510	1/4	2	26.5x16.2	0.7
B0520	1/4	4	26.5x16.2	13
B0530	1/4	6.5	26.5x16.2	17
B0540	1/4	10	26.5x16.2	2.5
B0550	1/4	15	26.5x16.2	3.8
B0560	1/4	20	26.5x16.2	4.8
B0630	1/6	6.5	17.6x16.2	1
B0640	1/6	10	17.6x16.2	16
B0650	1/6	15	17.6x16.2	2.4
B0660	1/6	20	17.6x16.2	3.4
B0730	1/9	6.5	17.6x10.8	0.8
B0740	1/9	10	17.6x10.8	12

COUNTERTOP BAIN MARIE UNITS

- Double skinned stainless steel sheet construction
- The Bain Marie well can take up to 150mm deep 1/1 GN pans (sold separately)
- Double models ensure separate temperature control
- Bain Marie drain tap (for items 9810R-9820R)
- Dry heating element underneath the well
- ON/OFF switch with LED
- Thermostatic control from + 30 °C to + 90 °C
- Mains supply: 230V, 50/60 Hz, single-phase
- Non-slip rubber feet



Optional containers - see p. 162-163



Item 9810



Item 9820



Item 9810R

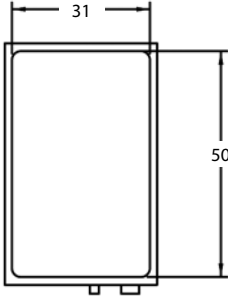
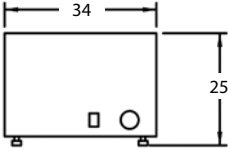
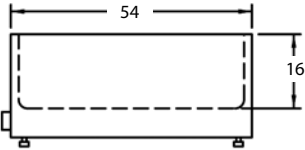


Item 9820R

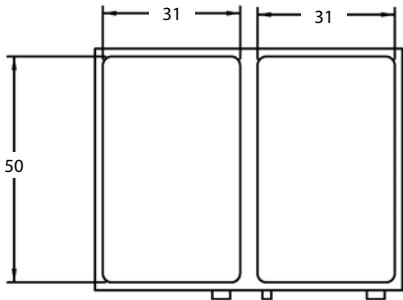
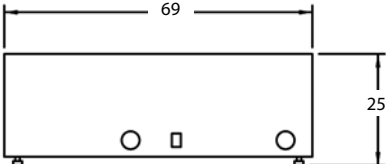
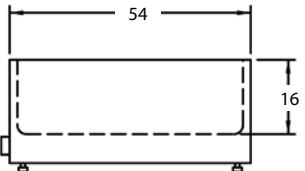
164

Item	GN	Drain tap	Power	Max dim. (cm)
9810	1x1/1	-	1000W	34x54x25
9810R	1x1/1	YES	1000W	34x54x25
9820	2x1/1	-	1000 + 1000W	69x54x25
9820R	2x1/1	YES	1000 + 1000W	69x54x25

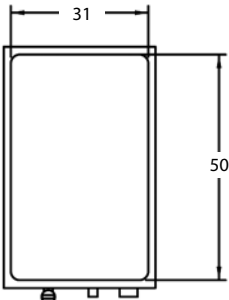
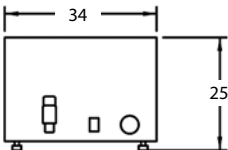
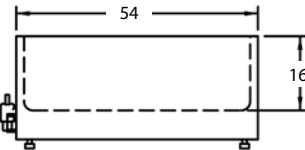
9810



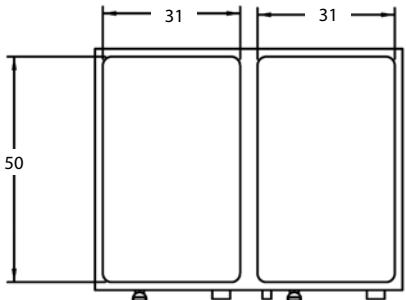
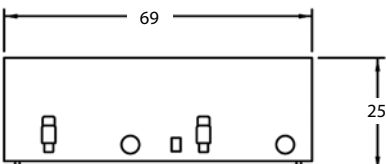
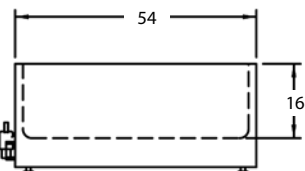
9820



9810R

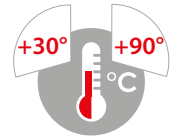
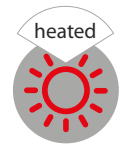


9820R



COUNTERTOP BAIN MARIE UNITS

- Double skinned AISI 304 stainless steel sheet construction
- The Bain Marie well can take up to 200mm deep GN pans (sold separately)
- Bain Marie drain tap
- Bain Marie immersion heater with perforated grille protection
- ON/OFF switch with LED
- Thermostatic control from + 30 °C to + 90 °C
- Mains supply: 230V, 50/60 Hz, single-phase
- Adjustable feet



Optional containers - see p. 162-163



Item 9531

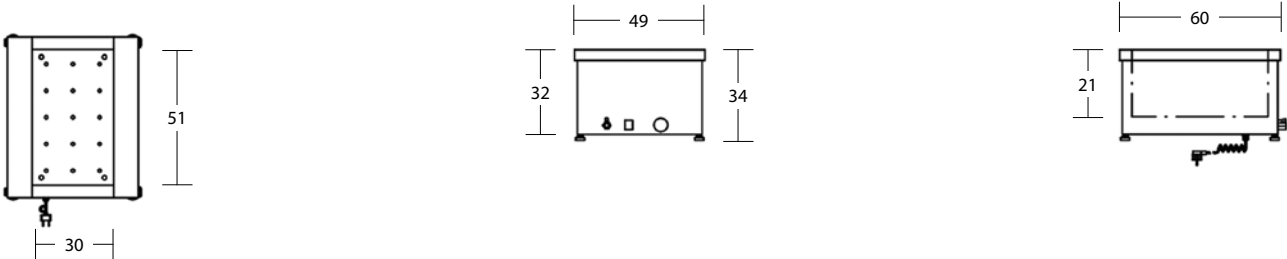
166



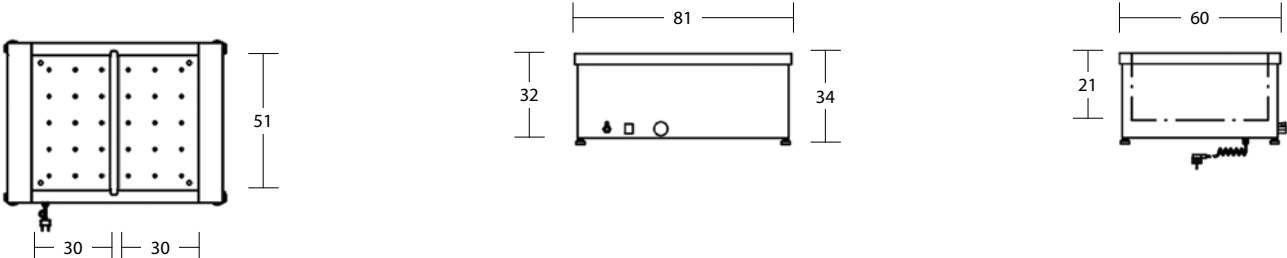
Item 9531 + GN containers

Item	GN	Power	Max dim. (cm)
9541	1x1/1	1950W	49x60x34
9551	2x1/1	1950W	81x60x34
9531	3x1/1	1950W	114x60x34
9521	4x1/1	3900W	153x60x34

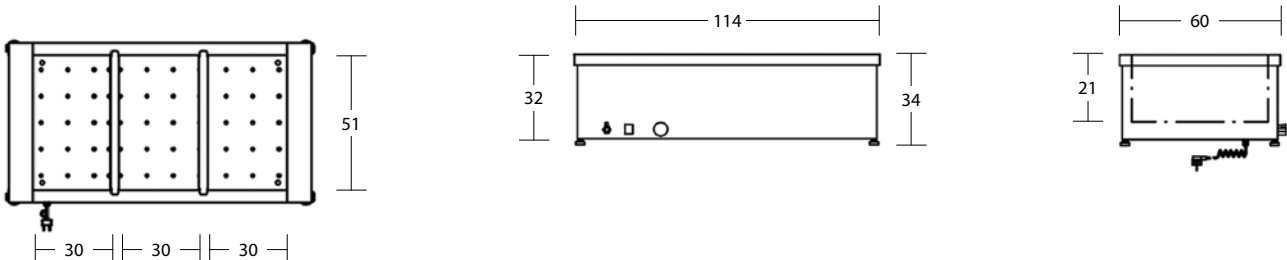
9541



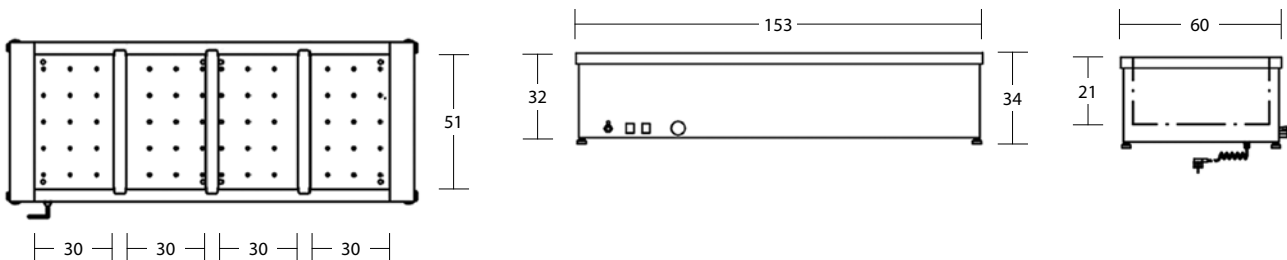
9551



9531



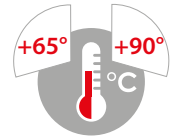
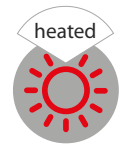
9521



BAIN MARIE TROLLEYS WITH LID

- 2x2cm square steel tube construction with AISI 304 stainless steel sheet panels, brushed finish
- Hinged top lid
- The Bain Marie well can take up to 200mm deep GN pans (sold separately)
- Bain Marie drain tap
- Bain Marie immersion heater with perforated grille protection
- ON/OFF switch with LED
- Thermostatic control from + 30 °C to + 90 °C
- Mains supply: 230V, 50/60 Hz, single-phase
- Open sided base
- Swivel castors, ø 12.5cm

Optional containers - see p. 162-163



Item 1393

168

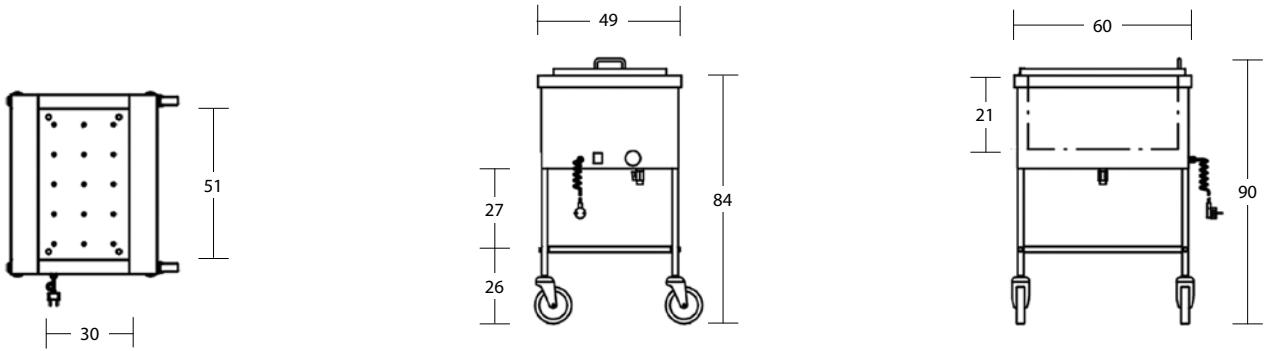
Item	GN	Power	Max dim. (cm)
1391	1x1/1	1950W	49x60x90
1392	2x1/1	1950W	81x60x90
1393	3x1/1	1950W	114x60x90

Options	Description	For item
S1200	1 Set with 2 braked castors	All
SE200	2 Set with 4 resilient castors (2 with brake)	All

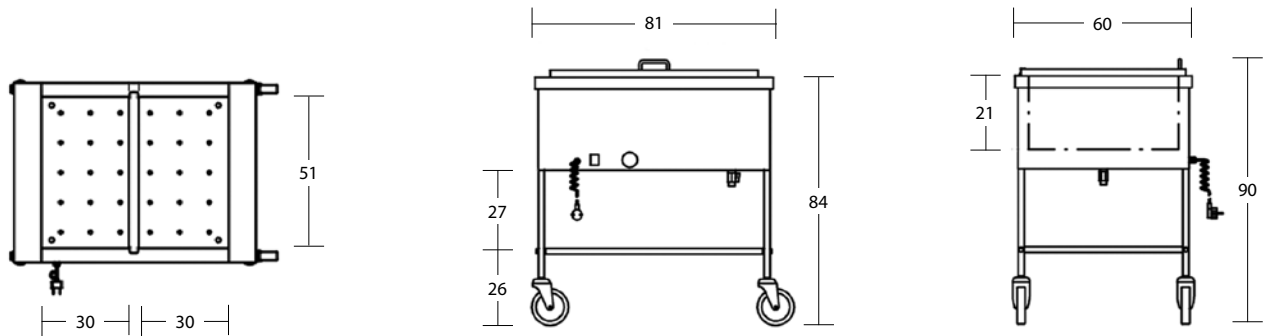


Accessories	Description	For item
A0431	Bottom shelf, stainless steel	1391
A0432	Bottom shelf, stainless steel	1392
A0433	Bottom shelf, stainless steel	1393
A0040	Push handle	All

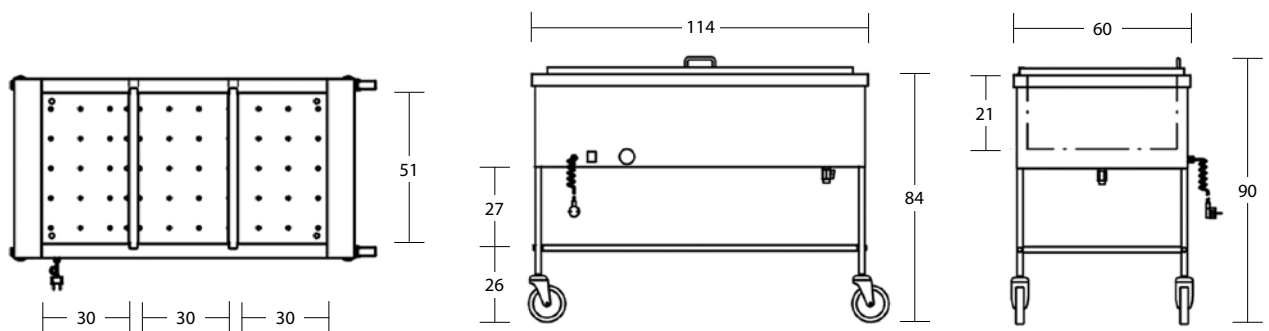
1391



1392



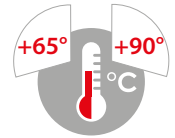
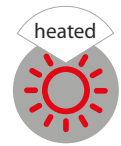
1393



BAIN MARIE TROLLEYS

- 2x2cm square steel tube construction with AISI 304 stainless steel sheet panels, brushed finish
- The Bain Marie well can take up to 200mm deep GN pans (sold separately)
- Bain Marie drain tap
- Bain Marie immersion heater with perforated grille protection
- ON/OFF switch with LED
- Thermostatic control from + 30 °C to + 90 °C
- Mains supply: 230V, 50/60 Hz, single-phase
- Open sided base with removable shelf
- Swivel castors, ø 12.5cm

Optional containers - see p. 162-163



Item 1397

170

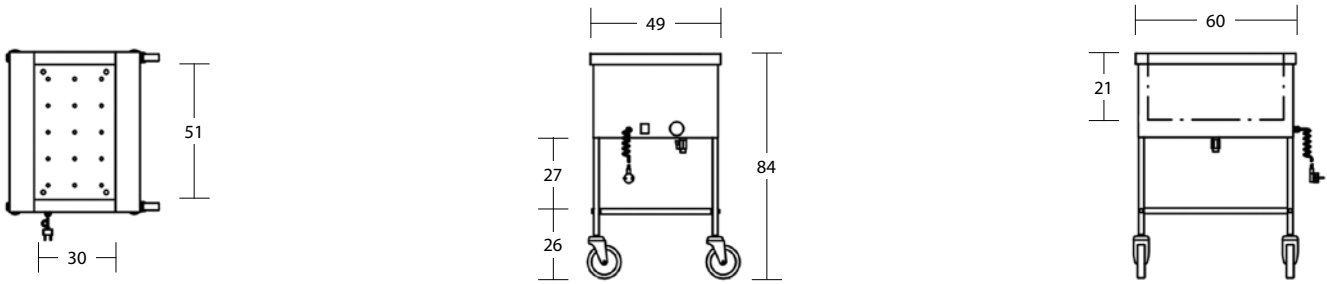
Item	GN	Power	Max dim. (cm)
1395	1x1/1	1950W	49x60x84
1396	2x1/1	1950W	81x60x84
1397	3x1/1	1950W	114x60x84
1398	4x1/1	3900W	153x60x84

Options	Description	For item
S1200	1 Set with 2 braked castors	All
SE200	2 Set with 4 resilient castors (2 with brake)	All

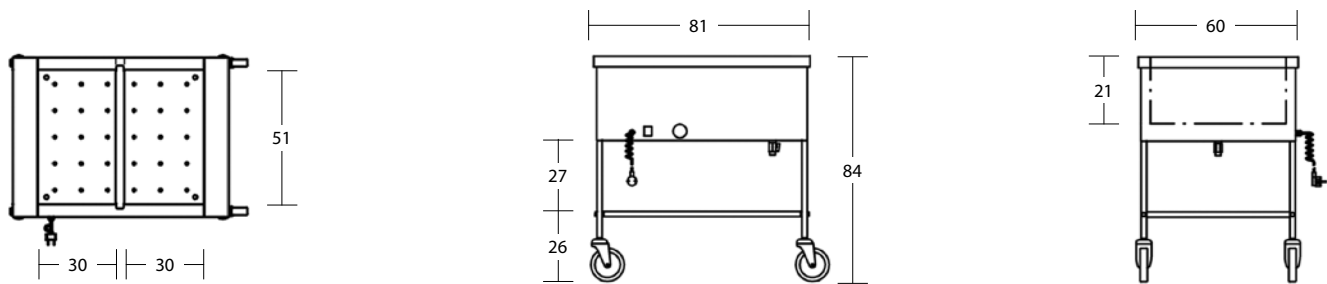
Accessories	Description	For item
A0040	Push handle	All



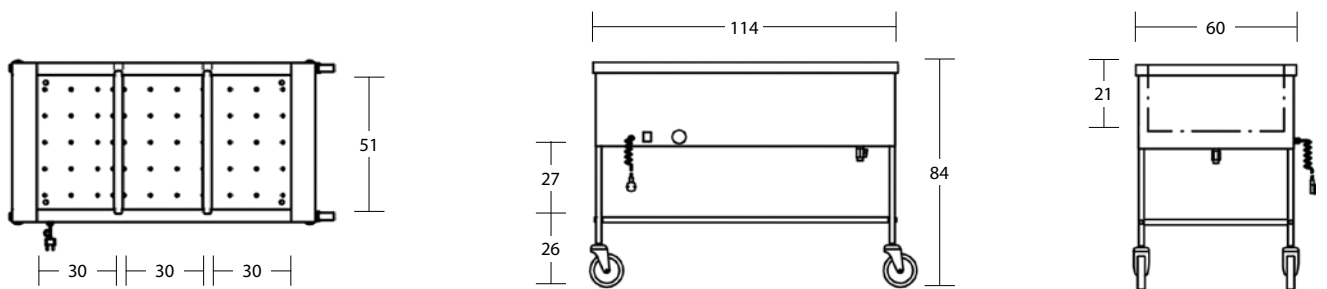
1395



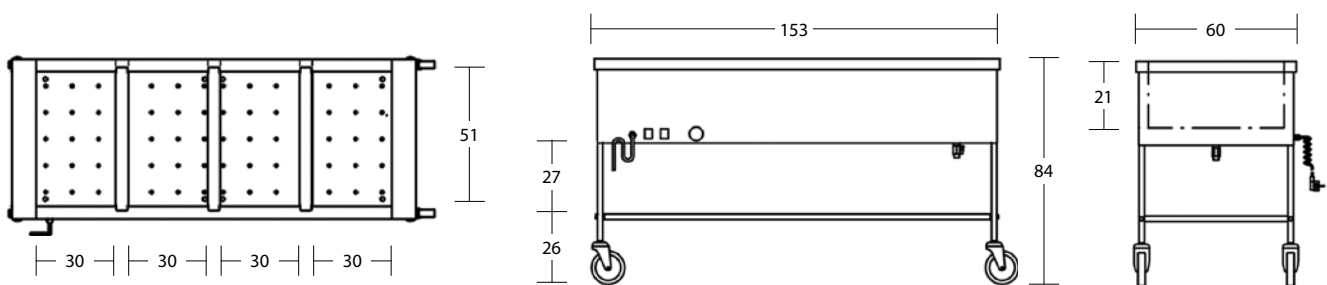
1396



1397

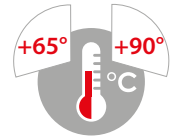
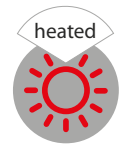


1398



BAIN MARIE TROLLEYS - SINGLE WELL

- 2.5x2.5cm square steel tube construction with AISI 304 stainless steel sheet panels, brushed finish
- Polyurethane foam insulation panels
- Heat-proof push handle
- Open sided base with welded shelf
- Single Bain Marie well in pressed steel sheet with no sharp edges; it can take up to 200mm deep GN pans (sold separately)
- Bain Marie drain tap
- Bain Marie dry heating element underneath the well
- ON/OFF switch with LED
- Control panel with thermostatic control from +30 °C to +90 °C
- Mains supply: 230V, 50/60 Hz, single-phase
- Rubber corner bumpers
- Swivel castors, ø 12.5cm



Optional containers - see p. 162-163



Item 7365 + S1220

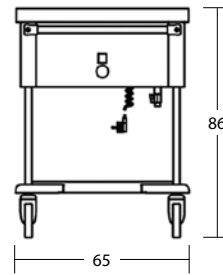
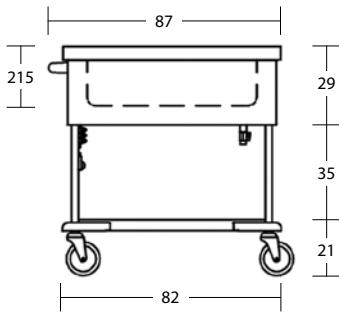
172

Item	GN	Power	Max dim. (cm)
7360	2x1/1	1200W	87x65x86
7365	3x1/1	1800W	125x65x86
7368	4x1/1	2400W	163x65x86

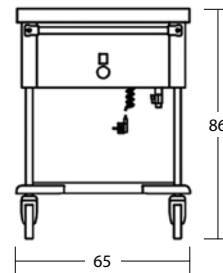
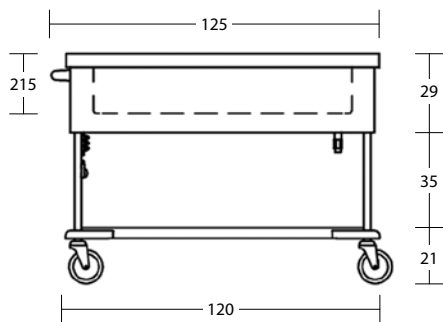
Options	Description	For item
S1220	1 Set with 2 braked castors	All
SE220	2 Set with 4 resilient castors (2 with brake)	All



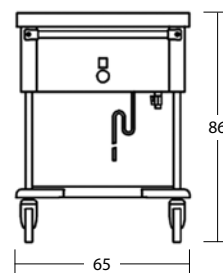
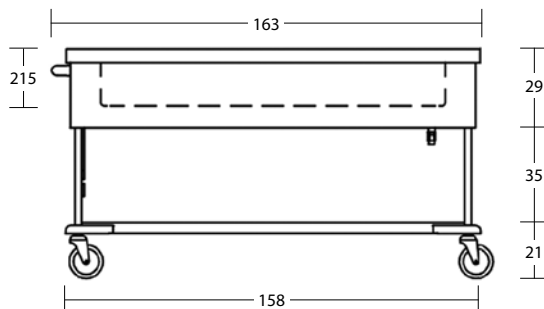
7360



7365

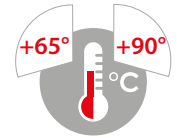
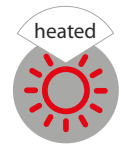


7368



BAIN MARIE TROLLEYS WITH SEPARATE TEMPERATURE CONTROL

- 2.5x2.5cm square steel tube construction with AISI 304 stainless steel sheet panels, brushed finish
- Polyurethane foam insulation panels
- Heat-proof push handle
- Open sided base with welded shelf
- Bain Marie wells with separate temperature control in pressed steel sheet with no sharp edges; they can take up to 200mm deep GN pans (sold separately)
- Bain Marie drain tap
- Bain Marie dry heating element underneath the well
- ON/OFF switch with LED
- Control panel with thermostatic control from +30 °C to +90 °C
- Mains supply: 230V, 50/60 Hz, single-phase
- Rubber corner bumpers
- Swivel castors, ø 12.5cm



Optional containers - see p. 162-163



Item 7375 + S1220

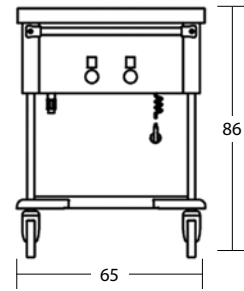
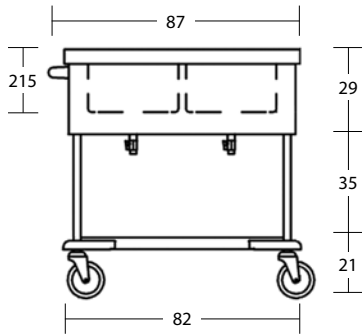
174

Item	GN	Power	Max dim. (cm)
7370	2x1/1	1200W	87x65x86
7375	3x1/1	1800W	125x65x86
7378	4x1/1	2400W	163x65x86

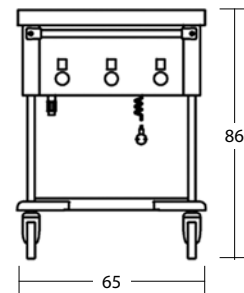
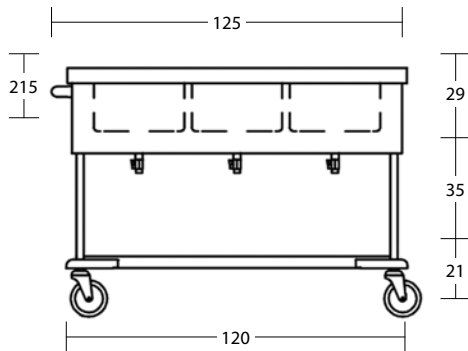
Options	Description	For item
S1220	1 Set with 2 braked castors	All
SE220	2 Set with 4 resilient castors (2 with brake)	All



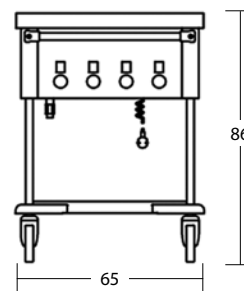
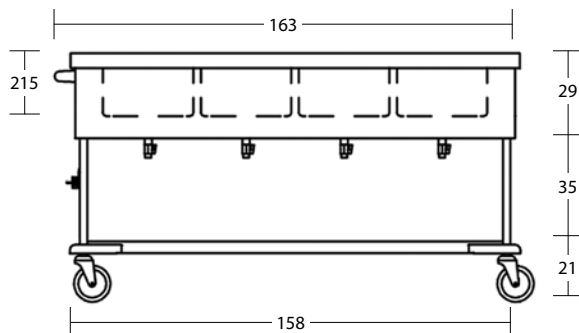
7370



7375



7378



BAIN MARIE TROLLEYS FOR MEAL DISTRIBUTION

Specially designed for meal distribution in hospitals, nursing homes, large communities and canteens, the Bain Marie trolleys are available in many different models to meet any needs. All ranges comply with GN standard.

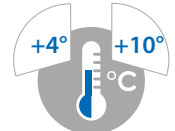
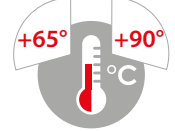
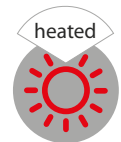
- AISI 304 stainless steel sheet construction, brushed finish
- Polyurethane foam insulation panels
- Heat-proof push handles
- Single or separated Bain Marie wells in pressed steel sheet with no sharp edges; they can take up to 200mm deep GN pans (sold separately)
- One or more drain taps
- One or more lower compartments: ambient, heated, refrigerated or mixed ones
- Mains supply: 230V, 50/60 Hz, single-phase
- Bain Marie dry heating element underneath each well
- Control panel with independent thermostatic control from +30 °C to +90 °C - one thermostat for every heated or refrigerated compartment (+ 4 °C to + 10 °C)
- 3m long coiled power cable (no plug)
- Edges protected by all round grey non marking rubber bumpers
- Two fixed and two braked swivel castors with heavy-duty brackets, \varnothing 16cm; grey non marking rubber tread on centre with roller bearing hub

Accessories: see p. 214-215

GN containers: see p. 162-163



Single or separated Bain Marie wells, for GN pans up to 200mm deep



176



Heat-proof push handles



Control panel with adjustable thermostats, one for every heated or refrigerated compartment



Foil heating element with safety thermostat



Refrigerated lower compartment with compressor housing



Edges protected by all round grey non marking rubber bumpers



Castors, two fixed and two swivel braked castors



One or more lower compartments: ambient, heated, refrigerated or mixed ones



Item C2 - C3
Lid opening to 180°



Item L2 - L3
Lid opening 2/3 + 1/3



Item S2 -S3
Sliding lids



IPX5 insulated digital panel



Steel and glass sneeze guard



Drop down tray slide



Wheels with integral brakes for
ramps/loading chutes



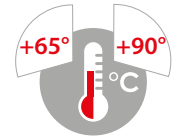
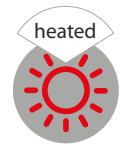
Tow bar with coupler



Resilient wheels for uneven
floors/outdoor use

BAIN MARIE TROLLEYS - SINGLE WELL

- AISI 304 stainless steel sheet construction, brushed finish
- Polyurethane foam insulation panels
- Heat-proof push handles
- Single Bain Marie well in pressed steel sheet with no sharp edges; it can take up to 200mm deep GN pans (sold separately)
- Bain Marie drain tap
- Single lower ambient compartment with up-and-over door
- Mains supply: 230V, 50/60 Hz, single-phase
- Dry heating element underneath the well
- Control panel with thermostatic control from +30 °C to +90 °C
- 3m long coiled power cable (no plug)
- Edges protected by all round grey non marking rubber bumpers
- Two fixed and two braked swivel castors with heavy-duty brackets, ø 16cm; grey non marking rubber tread on centre with roller bearing hub



Accessories: see p. 214-215

GN containers: see p. 162-163



Item 7365A

⊖ = ambient

Item	GN	Lower compartment	Power	Max dim. (cm)
7360A	2x1/1	⊖	1200W	95x72x96
7365A	3x1/1	⊖	1800W	134x72x96
7368A	4x1/1	⊖	2400W	172x72x96

Options



Description

For item

SE260

1

Set with 4 resilient castors (2 with brake)

All



- Heat-proof lids opening to 180° for Bain Marie trolleys (opened lids can be used as support)
- AISI 304 stainless steel sheet construction, brushed finish



Options	Description	For item
C2	180° opening lids for 2/1 GN Bain Marie tops	7360A
C3	180° opening lids for 3/1 GN Bain Marie tops	7365A

- Heat-proof lids opening 2/3 + 1/3 on the long side (opened lids can be used as support)
- AISI 304 stainless steel sheet construction, brushed finish



179

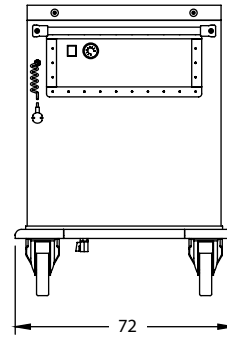
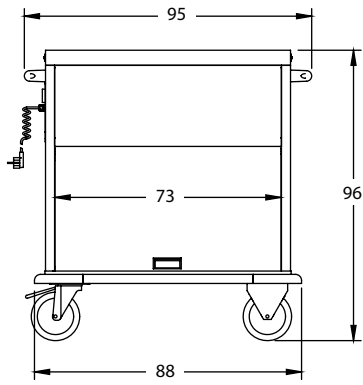
Options	Description	For item
L2	2/3 + 1/3 opening lids for 2/1 GN Bain Marie tops	7360A
L3	2/3 + 1/3 opening lids for 3/1 GN Bain Marie tops	7365A

- Heat-proof lids sliding on the long side (opened lids can be used as support)
- AISI 304 stainless steel sheet construction, brushed finish

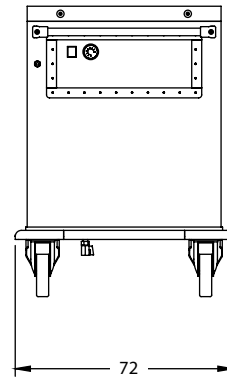
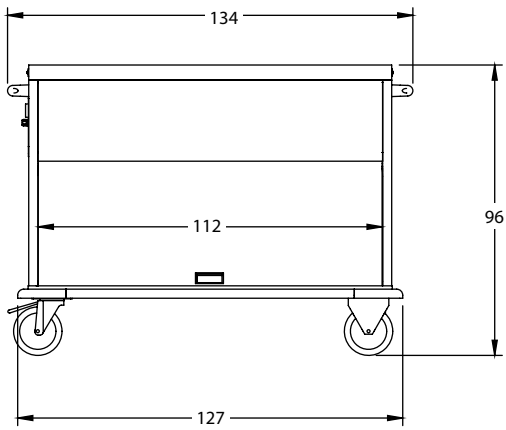


Options	Description	For item
S2	Sliding lids for 2/1 GN Bain Marie tops	7360A
S3	Sliding lids for 3/1 GN Bain Marie tops	7365A

2x1/1 GN

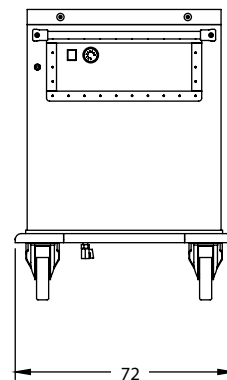
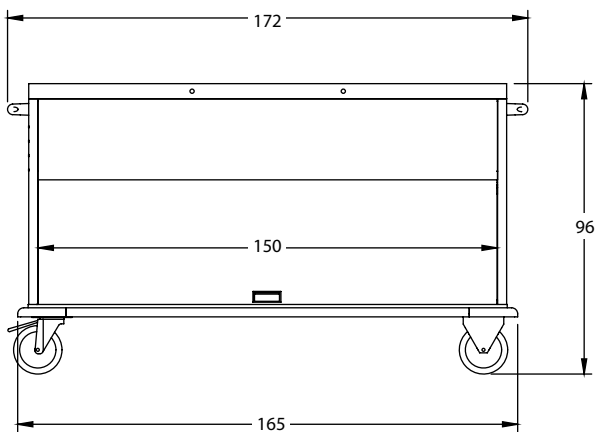


3x1/1 GN

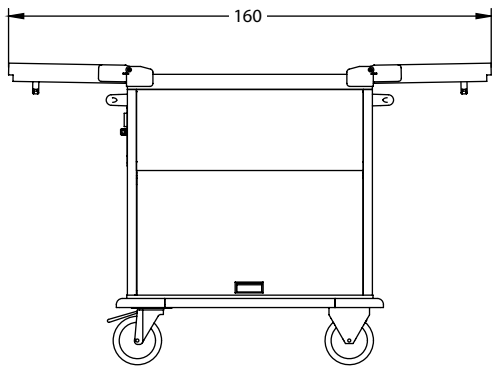
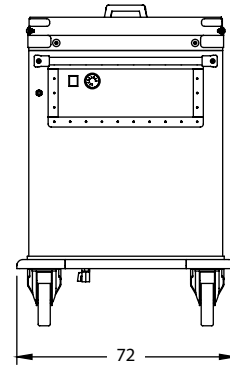
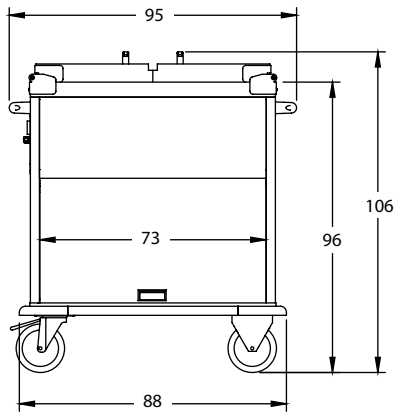


180

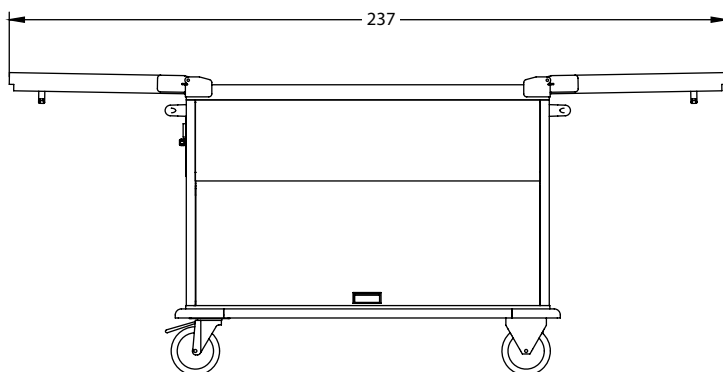
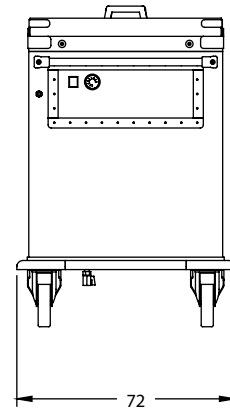
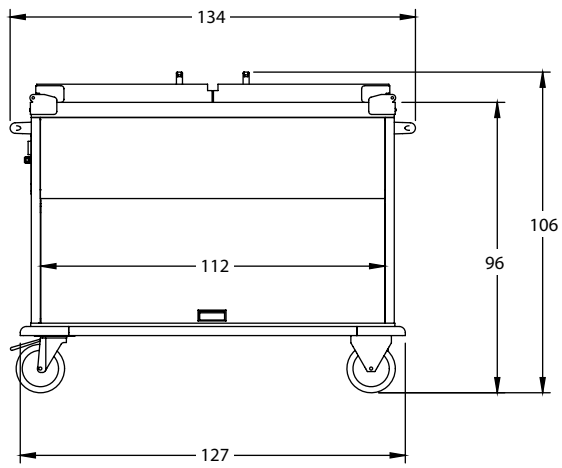
4x1/1 GN



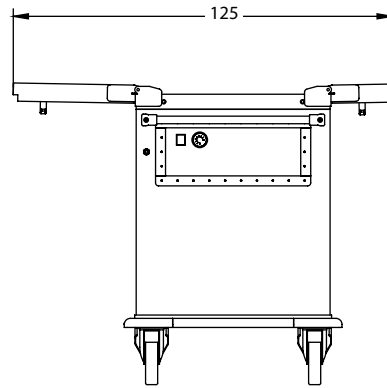
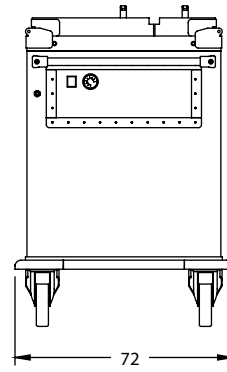
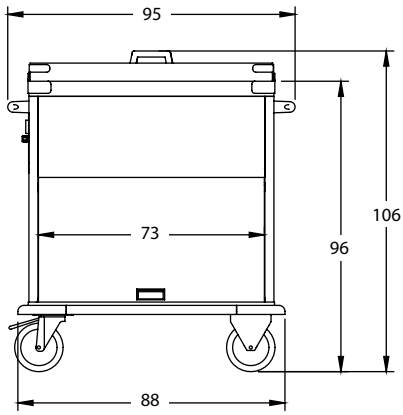
2x1/1 GN



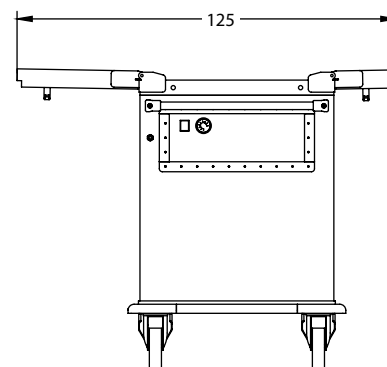
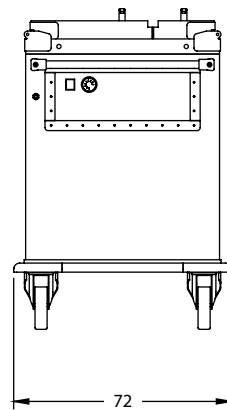
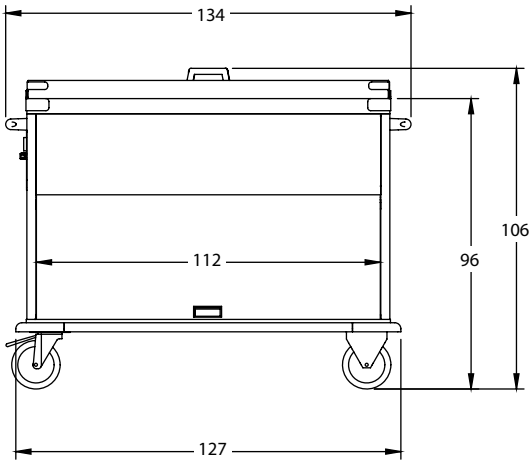
3x1/1 GN



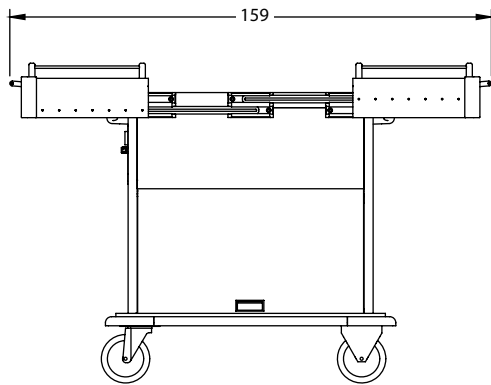
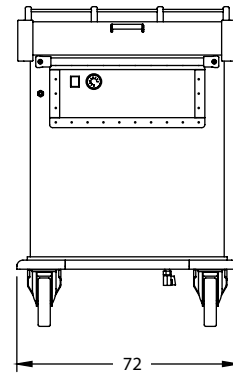
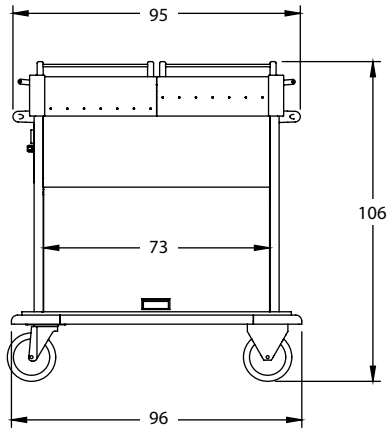
2x1/1 GN



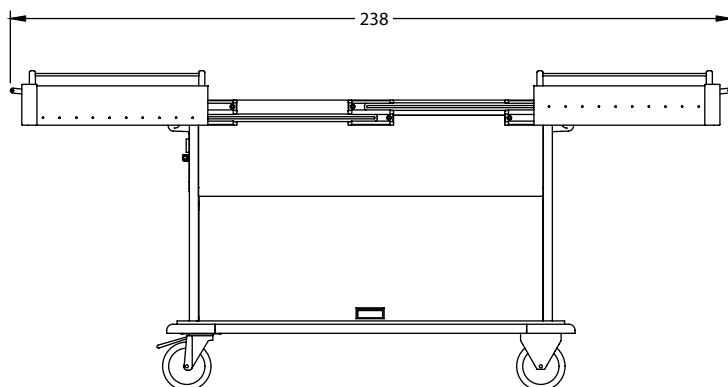
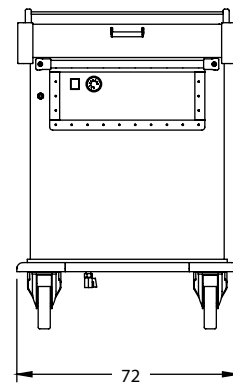
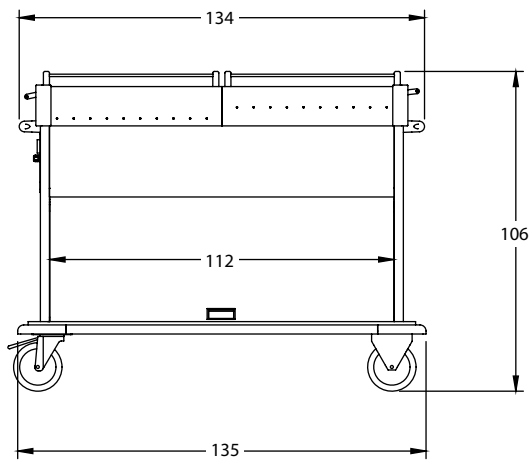
3x1/1 GN



2x1/1 GN



3x1/1 GN

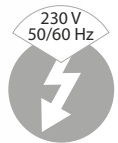
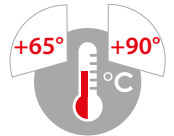
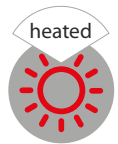


BAIN MARIE TROLLEYS - SINGLE WELL

- AISI 304 stainless steel sheet construction, brushed finish
- Polyurethane foam insulation panels
- Heat-proof push handles
- Single Bain Marie well in pressed steel sheet with no sharp edges; it can take up to 200mm deep GN pans (sold separately)
- Bain Marie drain tap
- Separate and independent lower compartments - either ambient or heated depending on model - complete with runners to fit 1/1 GN containers and insulated up-and-over doors
- Mains supply: 230V, 50/60 Hz, single-phase
- Dry heating element underneath the well
- Control panel with independent thermostatic control - one thermostat for every heated compartment
- 3m long coiled power cable (no plug)
- Edges protected by all round grey non marking rubber bumpers
- Two fixed and two braked swivel castors with heavy-duty brackets, ø 16cm; grey non marking rubber tread on centre with roller bearing hub

Accessories: see p. 214-215

GN containers: see p. 162-163



184

☉ = ambient ☀ = heated

Item 7365A3

Item	GN	Lower compartment	Power	Max dim. (cm)
7360A0	2x1/1	☉ ☉	1200W	95x72x96
7360A1	2x1/1	☉ ☀	1450W	95x72x96
7360A2	2x1/1	☀ ☀	1700W	95x72x96
7365A0	3x1/1	☉ ☉ ☉	1800W	134x72x96
7365A1	3x1/1	☉ ☉ ☀	2050W	134x72x96
7365A2	3x1/1	☉ ☀ ☀	2300W	134x72x96
7365A3	3x1/1	☀ ☀ ☀	2550W	134x72x96
7368A0	4x1/1	☉ ☉ ☉ ☉	2400W	172x72x96
7368A1	4x1/1	☉ ☉ ☉ ☀	2650W	172x72x96
7368A2	4x1/1	☉ ☉ ☀ ☀	2900W	172x72x96
7368A3	4x1/1	☉ ☀ ☀ ☀	3150W	172x72x96
7368A4	4x1/1	☀ ☀ ☀ ☀	3400W	172x72x96

Options



Description

For item

SE260

1

Set with 4 resilient castors (2 with brake)

All



- Heat-proof lids opening to 180° for Bain Marie trolleys (opened lids can be used as support)
- AISI 304 stainless steel sheet construction, brushed finish



Options	Description	For item
C2	180° opening lids for 2/1 GN Bain Marie tops	7360A0-7360A1-7360A2
C3	180° opening lids for 3/1 GN Bain Marie tops	7365A0-7365A1-7365A2-7365A3

- Heat-proof lids opening 2/3 + 1/3 on the long side (opened lids can be used as support)
- AISI 304 stainless steel sheet construction, brushed finish



185

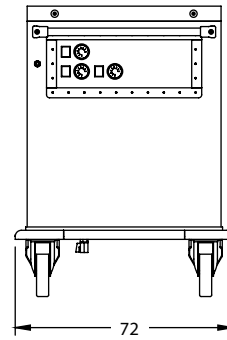
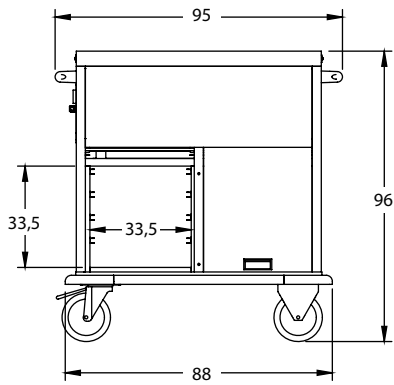
Options	Description	For item
L2	2/3 + 1/3 opening lids for 2/1 GN Bain Marie tops	7360A0-7360A1-7360A2
L3	2/3 + 1/3 opening lids for 3/1 GN Bain Marie tops	7365A0-7365A1-7365A2-7365A3

- Heat-proof lids sliding on the long side (opened lids can be used as support)
- AISI 304 stainless steel sheet construction, brushed finish

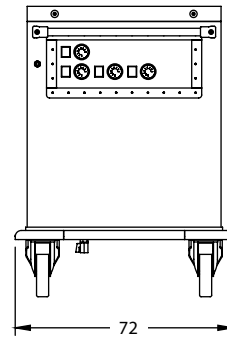
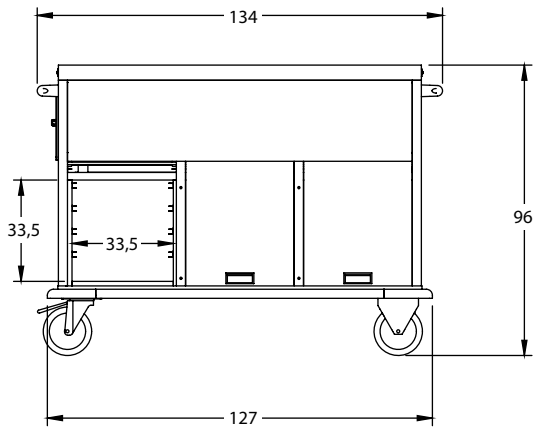


Options	Description	For item
S2	Sliding lids for 2/1 GN Bain Marie tops	7360A0-7360A1-7360A2
S3	Sliding lids for 3/1 GN Bain Marie tops	7365A0-7365A1-7365A2-7365A3

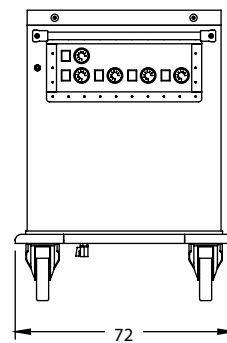
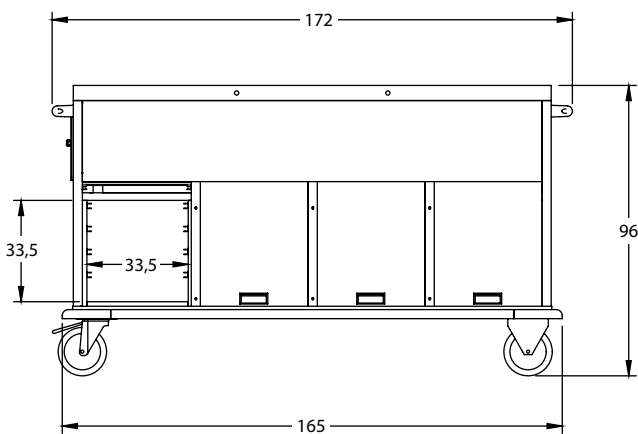
2x1/1 GN



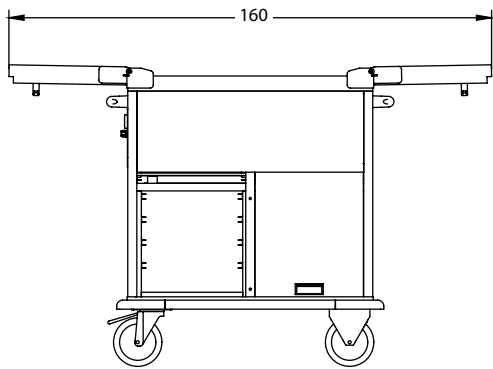
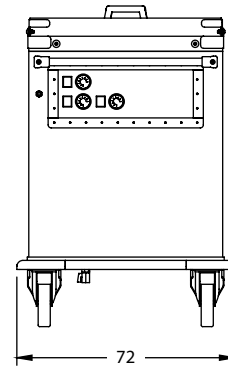
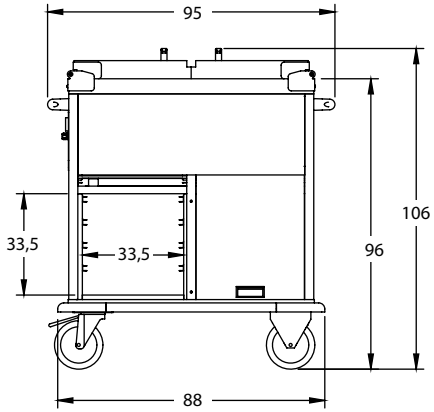
3x1/1 GN



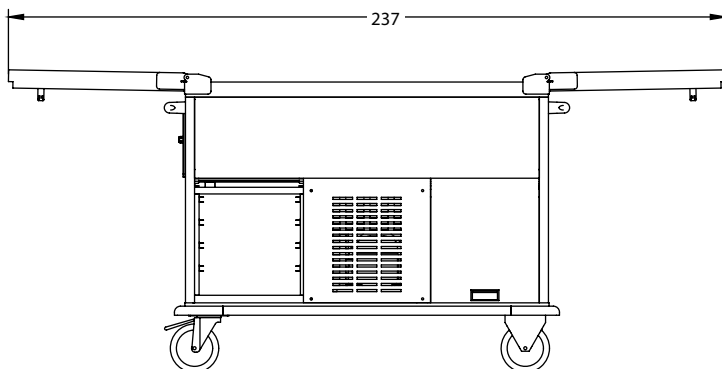
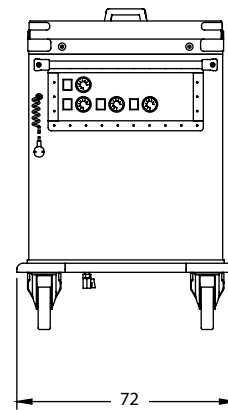
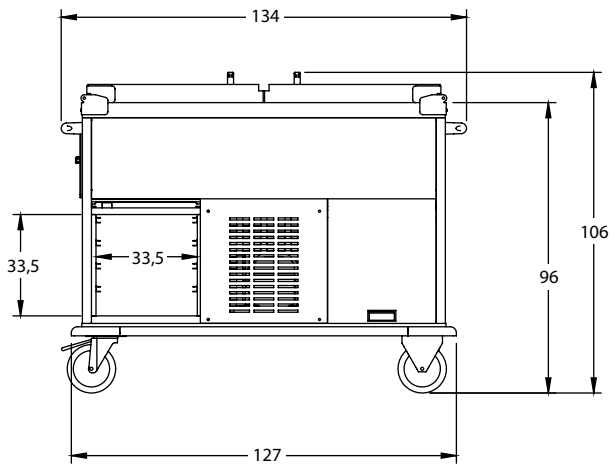
4x1/1 GN



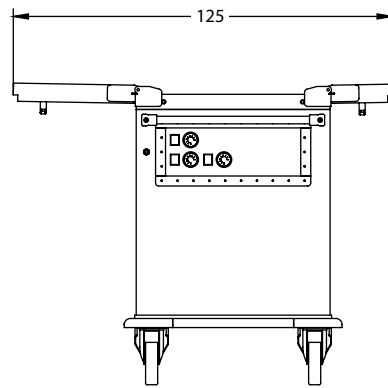
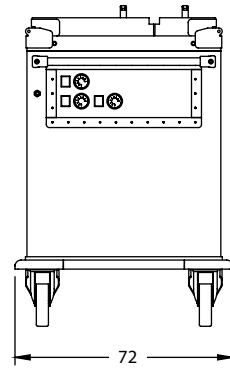
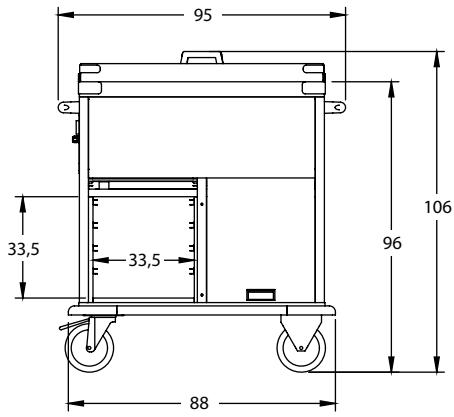
2x1/1 GN



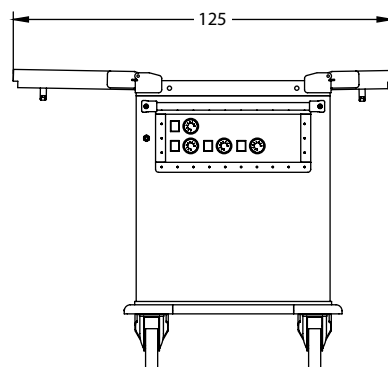
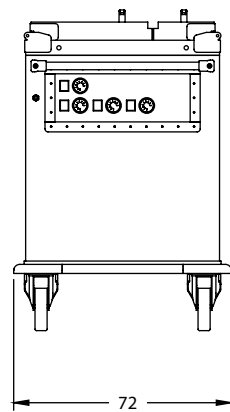
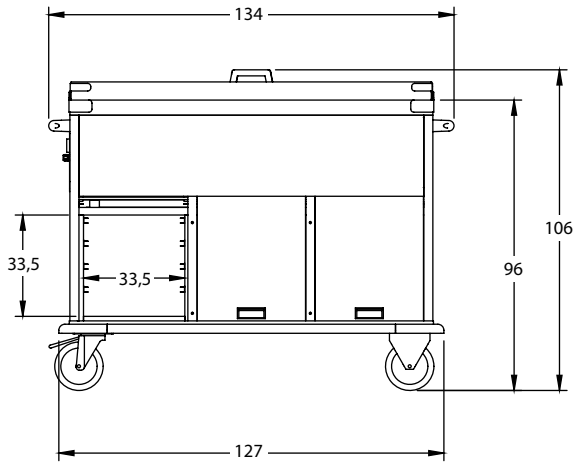
3x1/1 GN



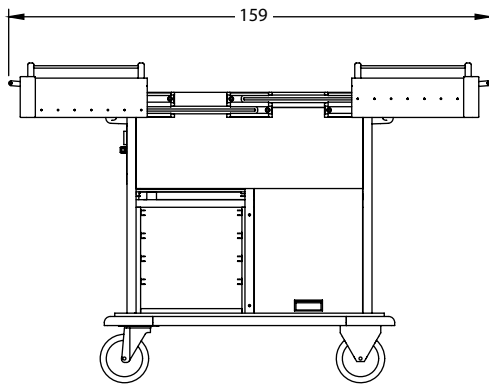
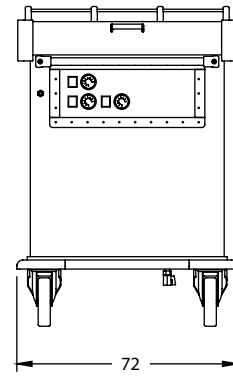
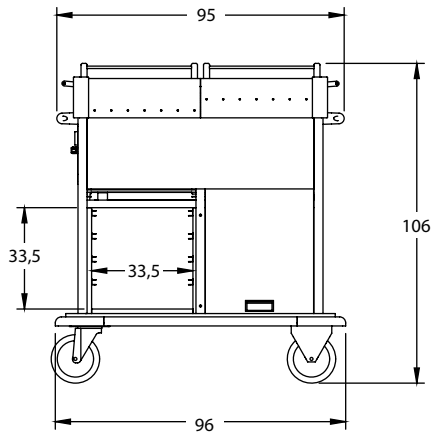
2x1/1 GN



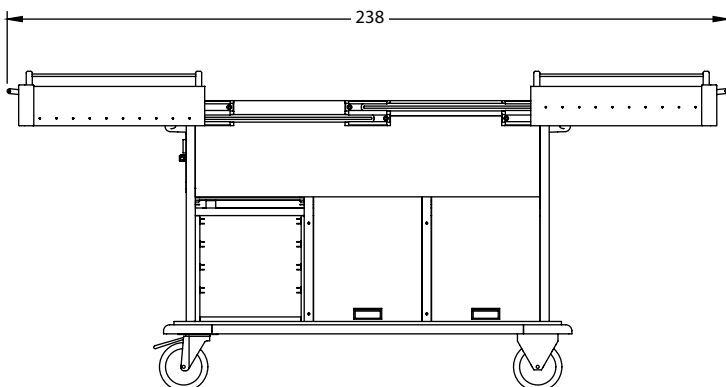
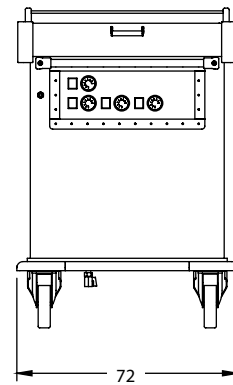
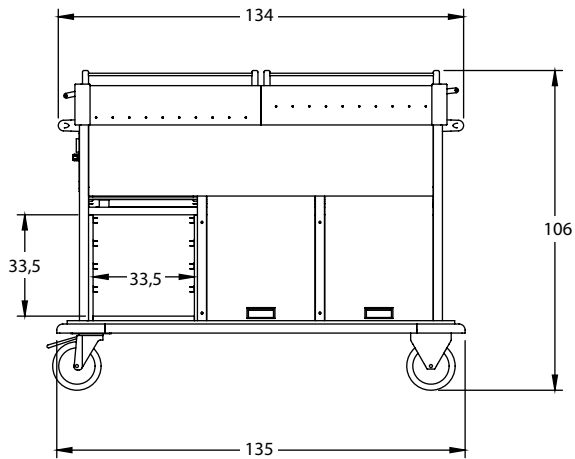
3x1/1 GN



2x1/1 GN



3x1/1 GN

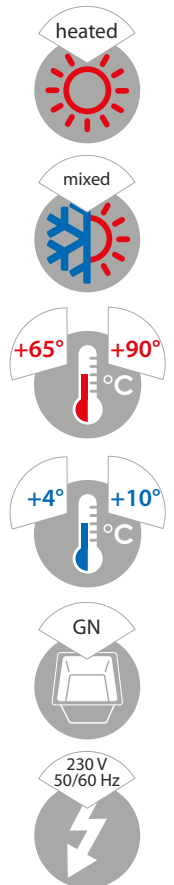


BAIN MARIE TROLLEYS - SINGLE WELL

- AISI 304 stainless steel sheet construction, brushed finish
- Polyurethane foam insulation panels
- Heat-proof push handles
- Single Bain Marie well in pressed steel sheet with no sharp edges; it can take up to 200mm deep GN pans (sold separately)
- Bain Marie drain tap
- Separate and independent lower compartments - either ambient, heated or refrigerated depending on model - complete with runners to fit 1/1 GN containers and insulated up-and-over doors
- Mains supply: 230V, 50/60 Hz, single-phase
- Dry heating element underneath the well
- IPX5 digital control panel supplied as standard with independent thermostatic control - one thermostat for every heated or refrigerated compartment
- 3m long coiled power cable (no plug)
- Edges protected by all round grey non marking rubber bumpers
- Two fixed and two braked swivel castors with heavy-duty brackets, ø 16cm; grey non marking rubber tread on centre with roller bearing hub

Accessories: see p. 214-215

GN containers: see p. 162-163



Item 7365A1F1



Note: IPX5 digital control panel is supplied as standard in the Bain Marie trolleys with refrigerated compartments

☉ = ambient ☀ = heated ❄ = refrigerated

Item	GN	Lower compartment	Power	Max dim. (cm)
7360A0F1	2x1/1	❄	1600W	95x72x96
7365A0F2	3x1/1	❄ ❄	2200W	134x72x96
7365A1F1	3x1/1	☀ ❄	2450W	134x72x96
7368A0F2	4x1/1	☉ ❄ ❄	2800W	172x72x96
7368A1F2	4x1/1	☀ ❄ ❄	3050W	172x72x96
7368A2F1	4x1/1	☀ ☀ ❄	3300W	172x72x96

Options



Description

For item

SE260

1

Set with 4 resilient castors (2 with brake)

All



- Heat-proof lids opening to 180° for Bain Marie trolleys (opened lids can be used as support)
- AISI 304 stainless steel sheet construction, brushed finish



Options	Description	For item
C2	180° opening lids for 2/1 GN Bain Marie tops	7360A0F1
C3	180° opening lids for 3/1 GN Bain Marie tops	7365A0F2-7365A1F1

- Heat-proof lids opening 2/3 + 1/3 on the long side (opened lids can be used as support)
- AISI 304 stainless steel sheet construction, brushed finish



191

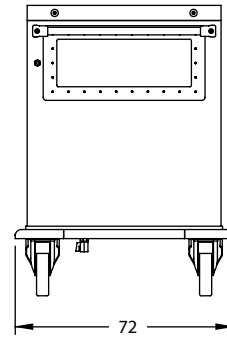
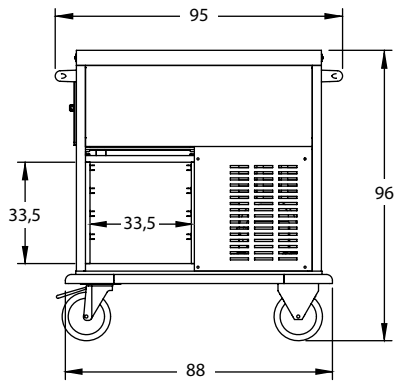
Options	Description	For item
L2	2/3 + 1/3 opening lids for 2/1 GN Bain Marie tops	7360A0F1
L3	2/3 + 1/3 opening lids for 3/1 GN Bain Marie tops	7365A0F2-7365A1F1

- Heat-proof lids sliding on the long side (opened lids can be used as support)
- AISI 304 stainless steel sheet construction, brushed finish

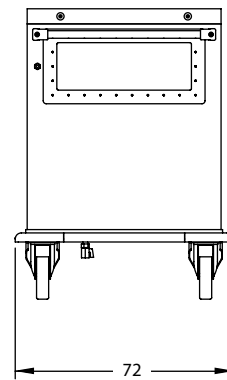
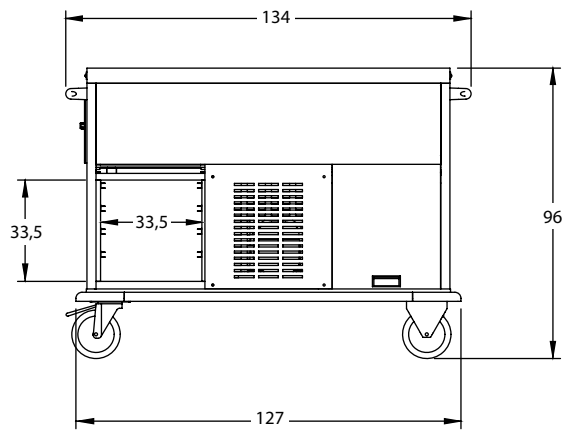


Options	Description	For item
S2	Sliding lids for 2/1 GN Bain Marie tops	7360A0F1
S3	Sliding lids for 3/1 GN Bain Marie tops	7365A0F2-7365A1F1

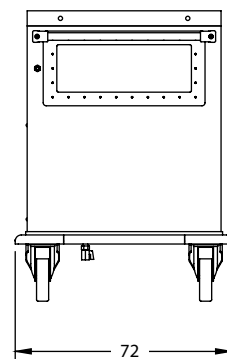
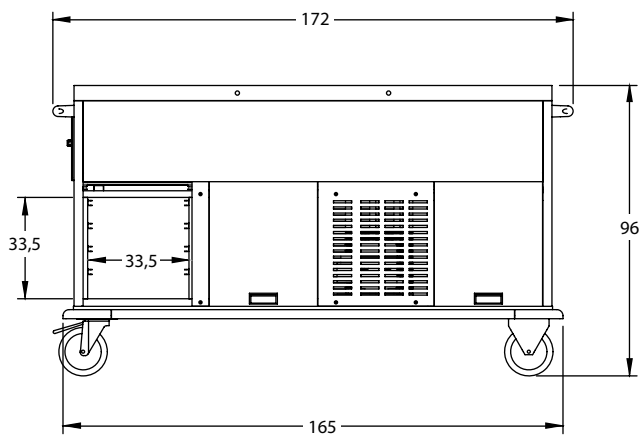
2x1/1 GN



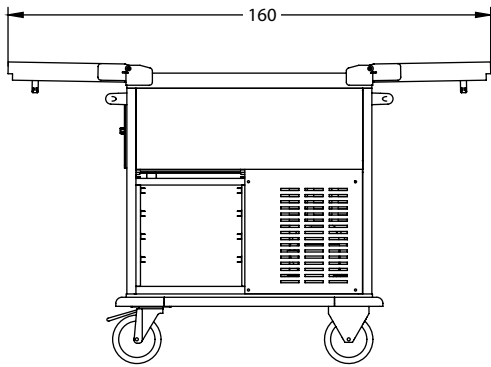
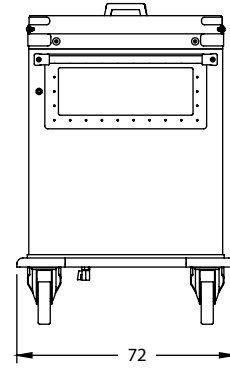
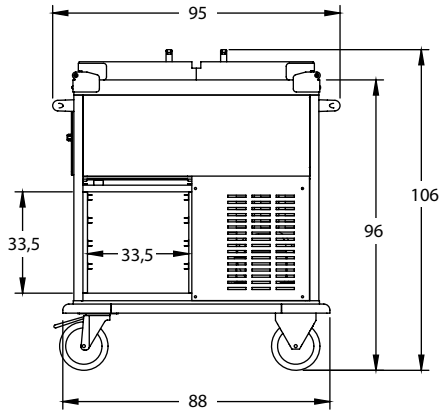
3x1/1 GN



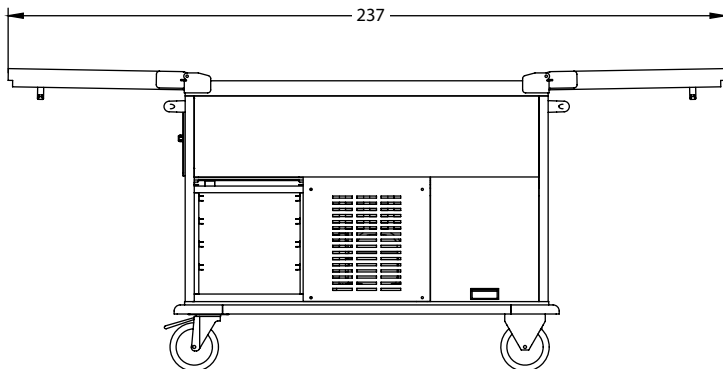
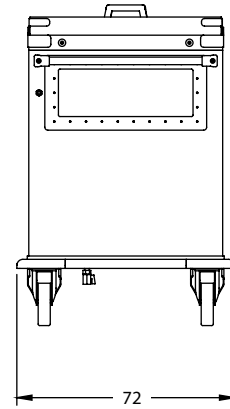
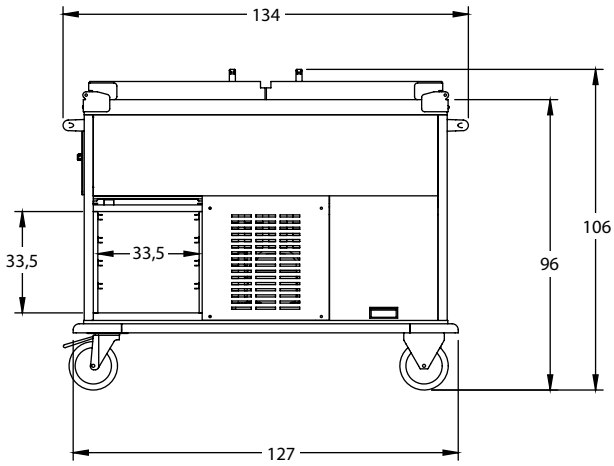
4x1/1 GN



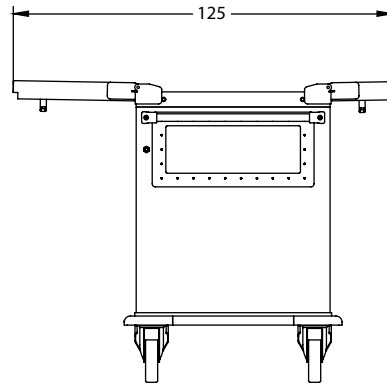
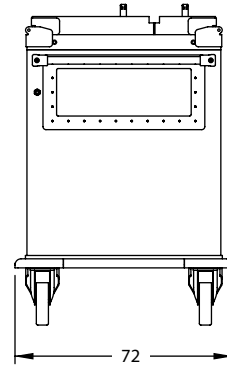
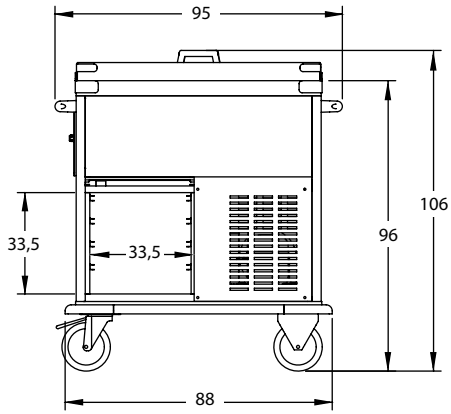
2x1/1 GN



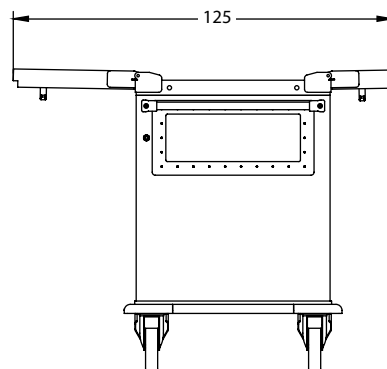
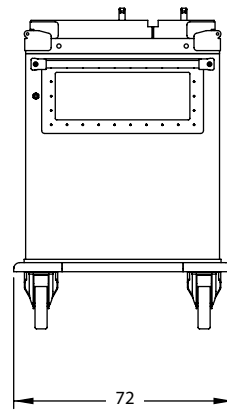
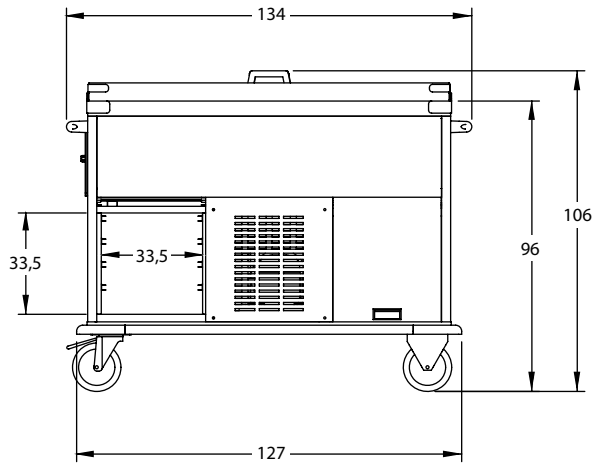
3x1/1 GN



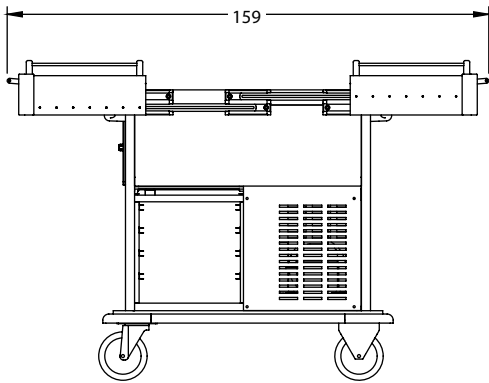
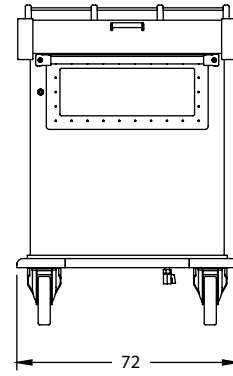
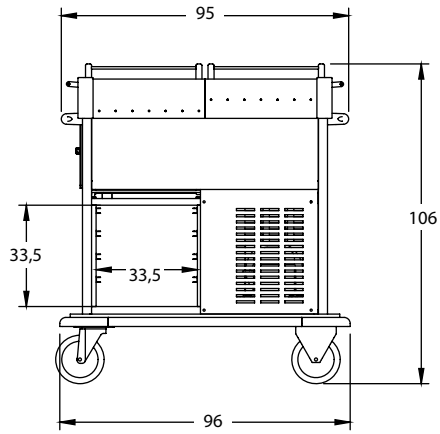
2x1/1 GN



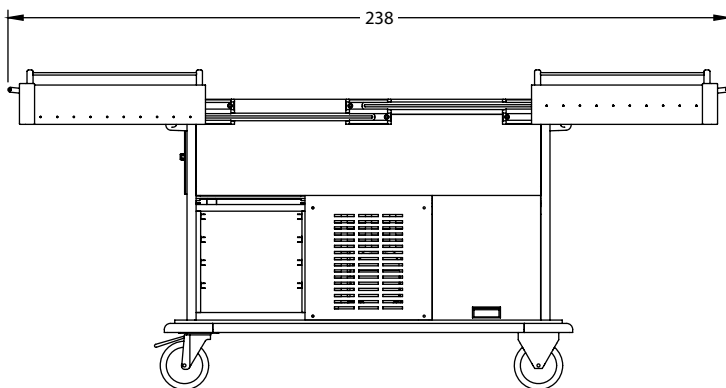
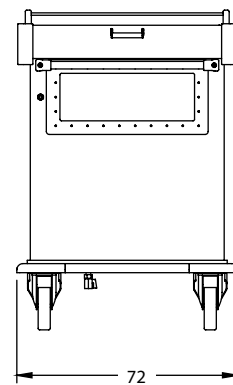
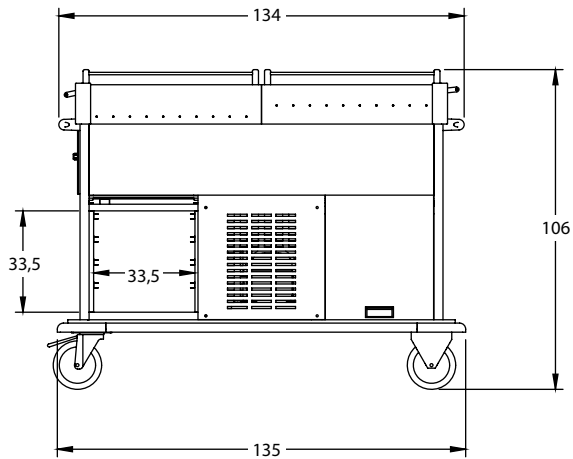
3x1/1 GN



2x1/1 GN

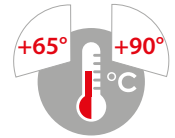
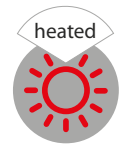


3x1/1 GN



BAIN MARIE TROLLEYS - WELLS WITH SEPARATE TEMPERATURE CONTROL

- AISI 304 stainless steel sheet construction, brushed finish
- Polyurethane foam insulation panels
- Heat-proof push handles
- Separate Bain Marie wells in pressed steel sheet with no sharp edges; they can take up to 200mm deep GN pans (sold separately)
- Separate drain taps
- Single lower ambient compartment with up-and-over door
- Mains supply: 230V, 50/60 Hz, single-phase
- Dry heating element underneath every well
- Control panel with independent thermostatic control, one thermostat for every well
- 3m long coiled power cable (no plug)
- Edges protected by all round grey non marking rubber bumpers
- Two fixed and two braked swivel castors with heavy-duty brackets, ø 16cm; grey non marking rubber tread on centre with roller bearing hub



Accessories: see p. 214-215

GN containers: see p. 162-163

196



Item 7375A

⊖ = ambient

Item	GN	Lower compartment	Power	Max dim. (cm)
7370A	2x1/1	⊖	1200W	95x72x96
7375A	3x1/1	⊖	1800W	134x72x96
7378A	4x1/1	⊖	2400W	172x72x96

Options



Description

For item

SE260

1

Set with 4 resilient castors (2 with brake)

All



- Heat-proof lids opening to 180° for Bain Marie trolleys (opened lids can be used as support)
- AISI 304 stainless steel sheet construction, brushed finish



Options	Description	For item
C2	180° opening lids for 2/1 GN Bain Marie tops	7370A
C3	180° opening lids for 3/1 GN Bain Marie tops	7375A

- Heat-proof lids opening 2/3 + 1/3 on the long side (opened lids can be used as support)
- AISI 304 stainless steel sheet construction, brushed finish



197

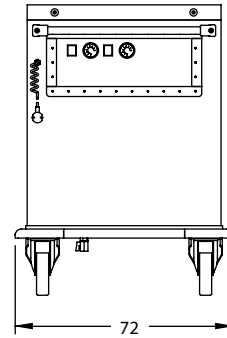
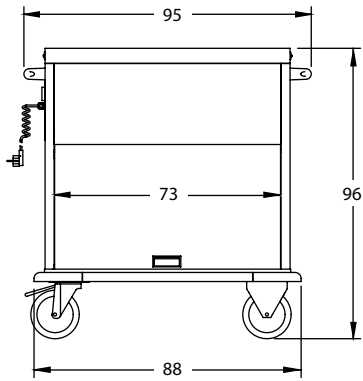
Options	Description	For item
L2	2/3 + 1/3 opening lids for 2/1 GN Bain Marie tops	7370A
L3	2/3 + 1/3 opening lids for 3/1 GN Bain Marie tops	7375A

- Heat-proof lids sliding on the long side (opened lids can be used as support)
- AISI 304 stainless steel sheet construction, brushed finish

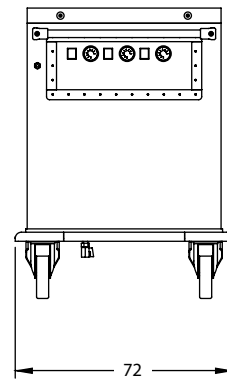
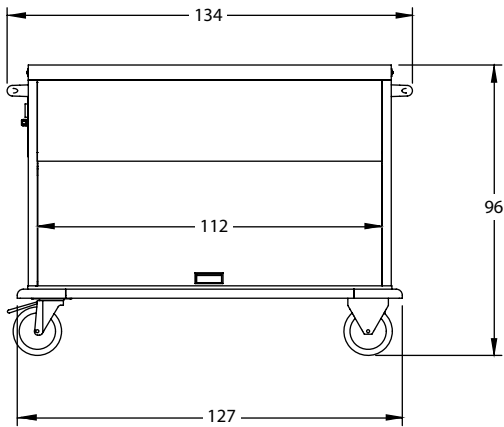


Options	Description	For item
S2	Sliding lids for 2/1 GN Bain Marie tops	7370A
S3	Sliding lids for 3/1 GN Bain Marie tops	7375A

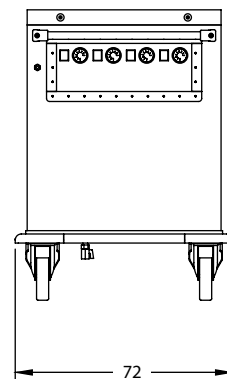
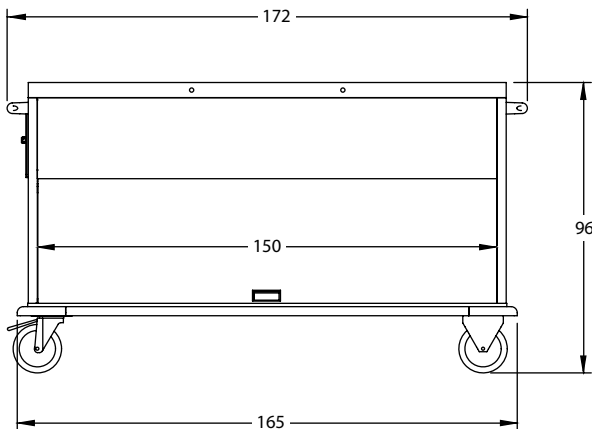
2x1/1 GN



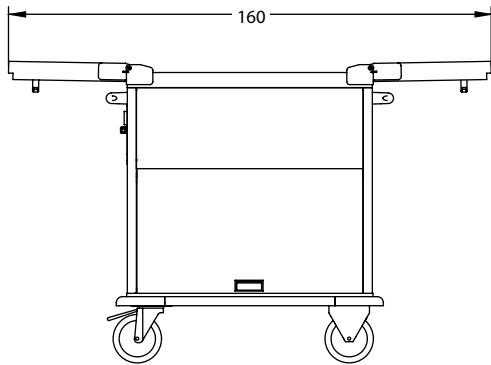
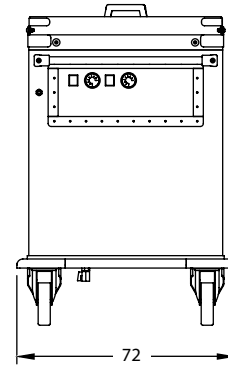
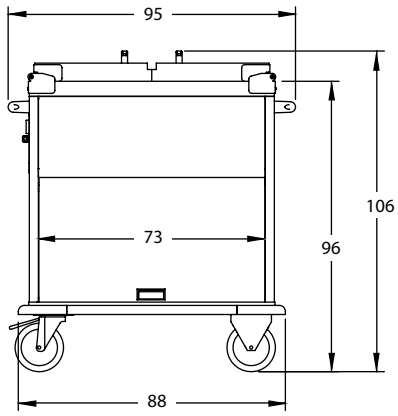
3x1/1 GN



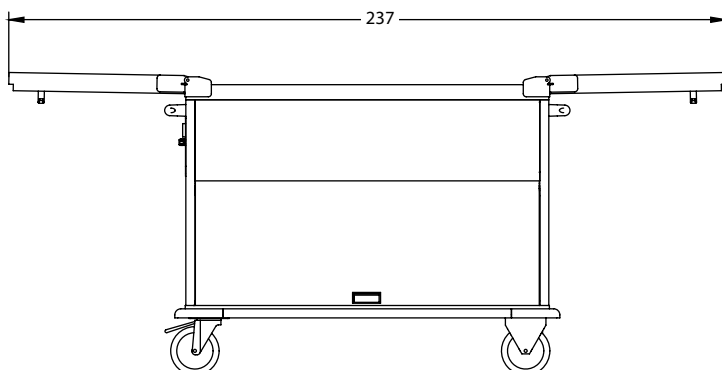
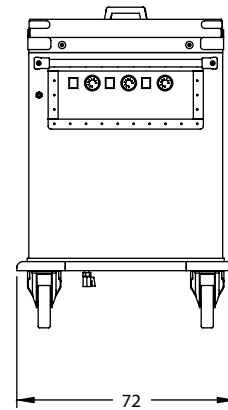
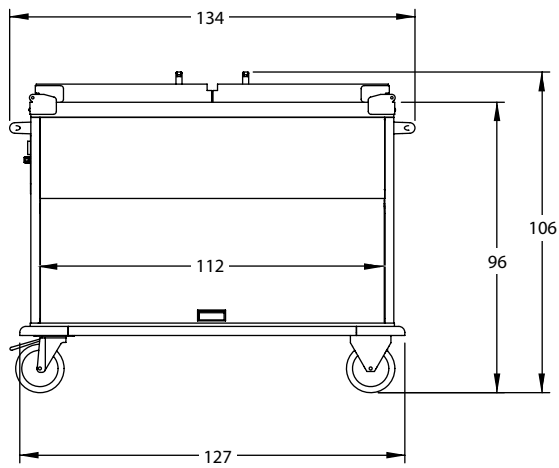
4x1/1 GN



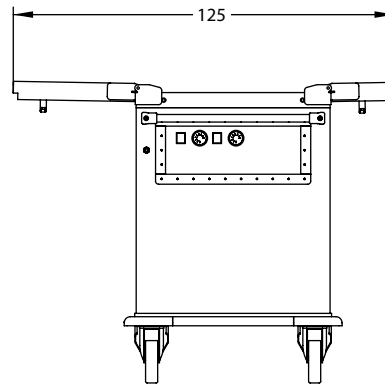
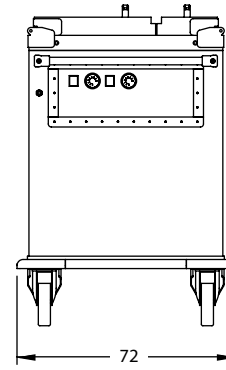
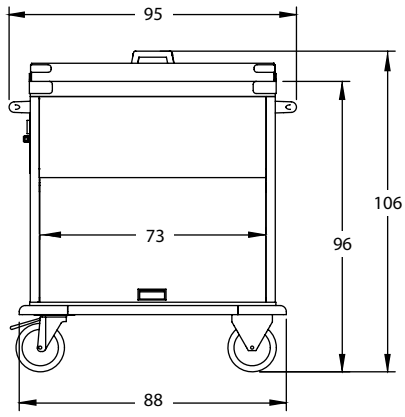
2x1/1 GN



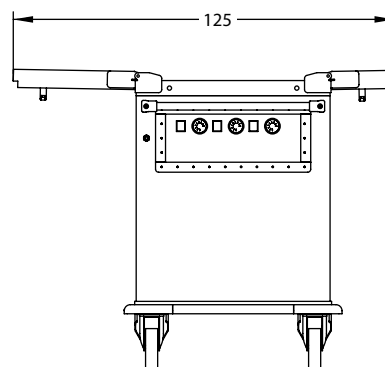
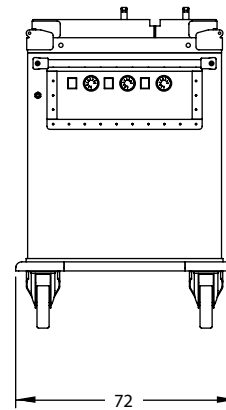
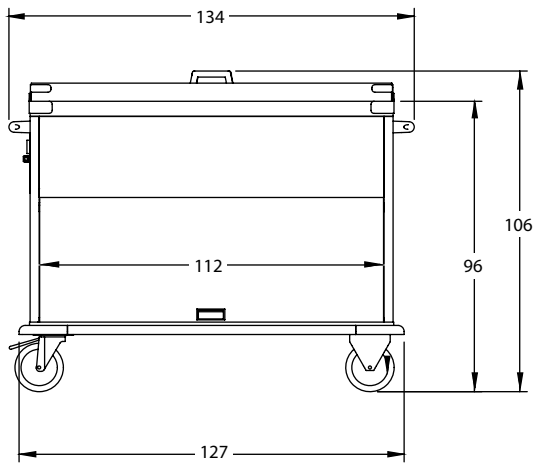
3x1/1 GN



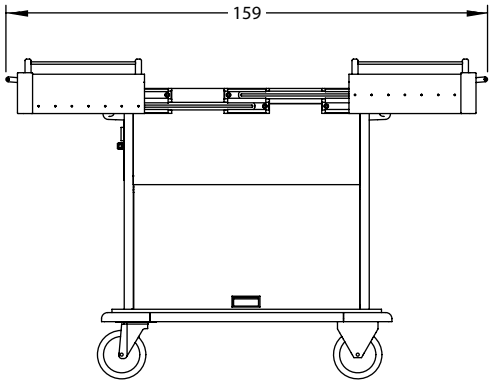
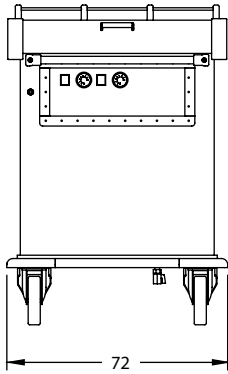
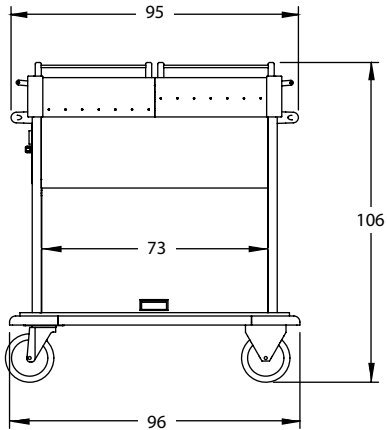
2x1/1 GN



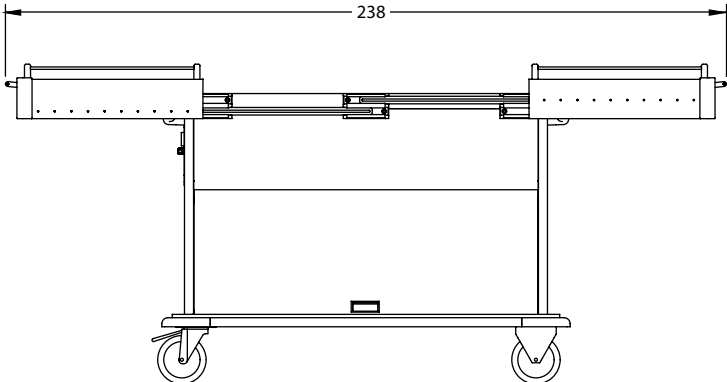
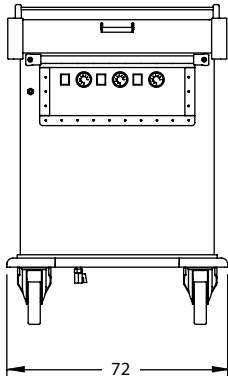
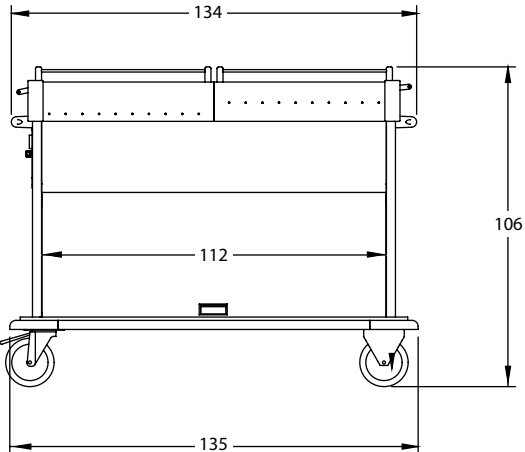
3x1/1 GN



2x1/1 GN

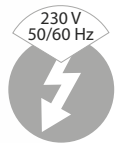
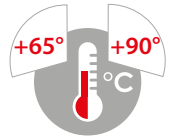
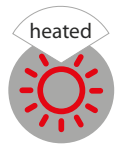


3x1/1 GN



BAIN MARIE TROLLEYS - WELLS WITH SEPARATE TEMPERATURE CONTROL

- AISI 304 stainless steel sheet construction, brushed finish
- Polyurethane foam insulation panels
- Heat-proof push handles
- Separate Bain Marie wells in pressed steel sheet with no sharp edges; they can take up to 200mm deep GN pans (sold separately)
- Separate drain taps
- Separate and independent lower compartments - either ambient or heated depending on model - complete with runners to fit 1/1 GN containers and insulated up-and-over doors
- Mains supply: 230V, 50/60 Hz, single-phase
- Dry heating element underneath every well
- Control panel with independent thermostatic control, one thermostat for every well
- 3m long coiled power cable (no plug)
- Edges protected by all round grey non marking rubber bumpers
- Two fixed and two braked swivel castors with heavy-duty brackets, ø 16cm; grey non marking rubber tread on centre with roller bearing hub



Accessories: see p. 214-215

GN containers: see p. 162-163



Item 7375A3

☉ = ambient ☀ = heated

Item	GN	Lower compartment	Power	Max dim. (cm)
7370A0	2x1/1	☉ ☉	1200W	95x72x96
7370A1	2x1/1	☉ ☀	1450W	95x72x96
7370A2	2x1/1	☀ ☀	1700W	95x72x96
7375A0	3x1/1	☉ ☉ ☉	1800W	134x72x96
7375A1	3x1/1	☉ ☉ ☀	2050W	134x72x96
7375A2	3x1/1	☉ ☀ ☀	2300W	134x72x96
7375A3	3x1/1	☀ ☀ ☀	2550W	134x72x96
7378A0	4x1/1	☉ ☉ ☉ ☉	2400W	172x72x96
7378A1	4x1/1	☉ ☉ ☉ ☀	2650W	172x72x96
7378A2	4x1/1	☉ ☉ ☀ ☀	2900W	172x72x96
7378A3	4x1/1	☉ ☀ ☀ ☀	3150W	172x72x96
7378A4	4x1/1	☀ ☀ ☀ ☀	3400W	172x72x96

Options



Description

For item

SE260

1 Set with 4 resilient castors (2 with brake)

All



- Heat-proof lids opening to 180° for Bain Marie trolleys (opened lids can be used as support)
- AISI 304 stainless steel sheet construction, brushed finish



Options	Description	For item
C2	180° opening lids for 2/1 GN Bain Marie tops	7370A0-7370A1-7370A2
C3	180° opening lids for 3/1 GN Bain Marie tops	7375A0-7375A1-7375A2-7375A3

- Heat-proof lids opening 2/3 + 1/3 on the long side (opened lids can be used as support)
- AISI 304 stainless steel sheet construction, brushed finish



203

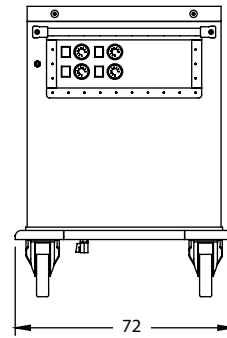
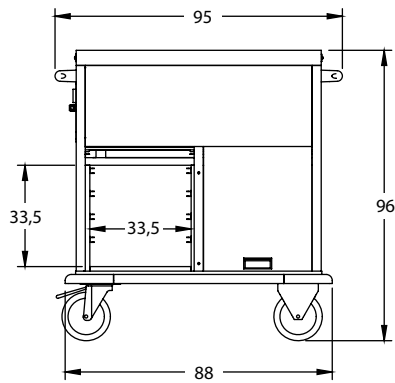
Options	Description	For item
L2	2/3 + 1/3 opening lids for 2/1 GN Bain Marie tops	7370A0-7370A1-7370A2
L3	2/3 + 1/3 opening lids for 3/1 GN Bain Marie tops	7375A0-7375A1-7375A2-7375A3

- Heat-proof lids sliding on the long side (opened lids can be used as support)
- AISI 304 stainless steel sheet construction, brushed finish

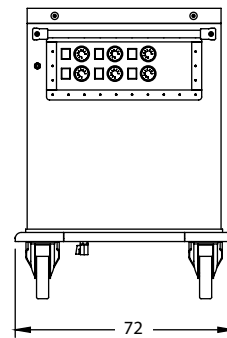
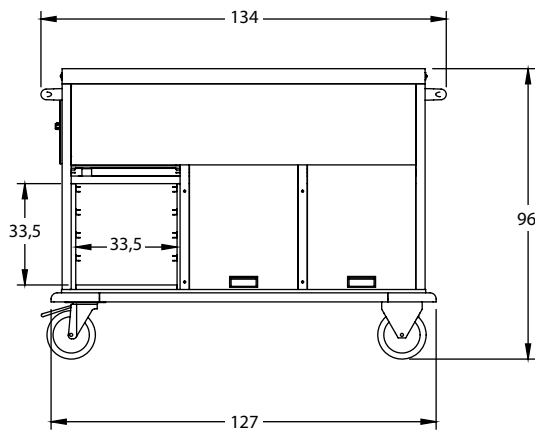


Options	Description	For item
S2	Sliding lids for 2/1 GN Bain Marie tops	7370A0-7370A1-7370A2
S3	Sliding lids for 3/1 GN Bain Marie tops	7375A0-7375A1-7375A2-7375A3

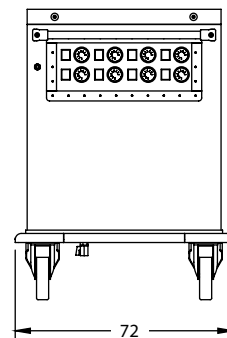
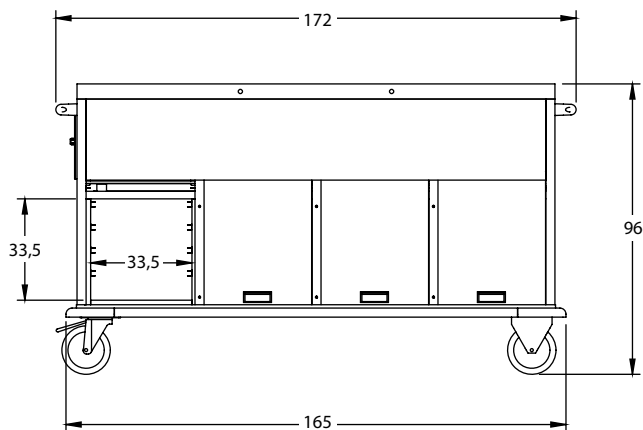
2x1/1 GN



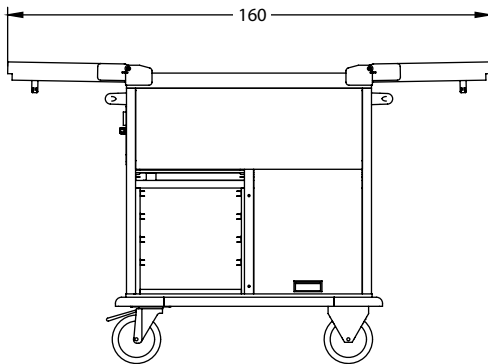
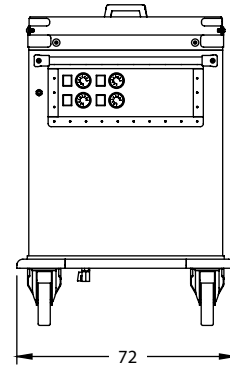
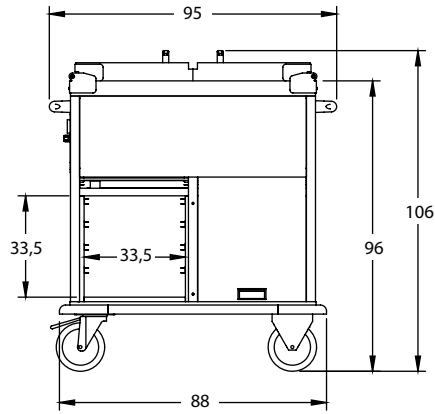
3x1/1 GN



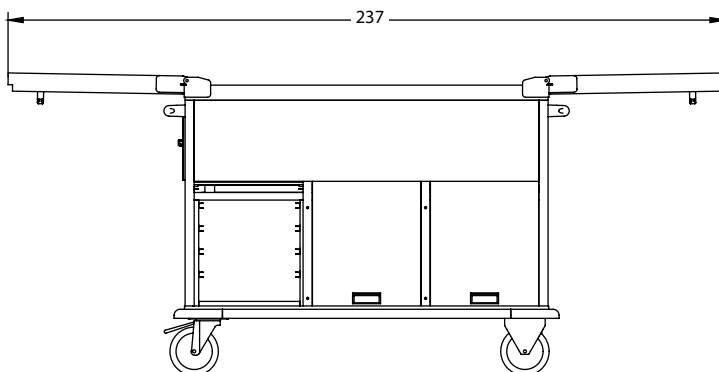
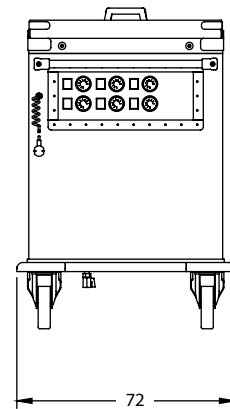
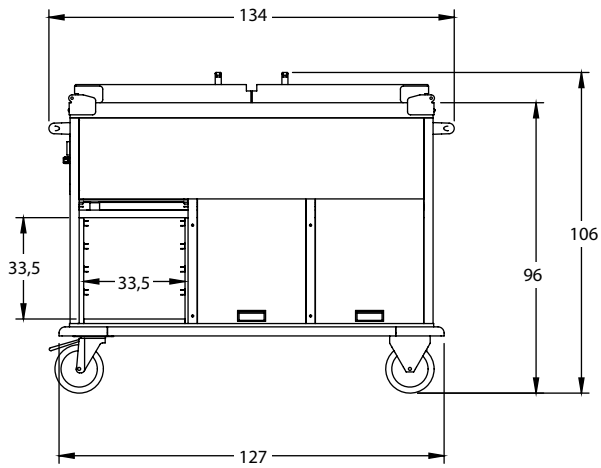
4x1/1 GN



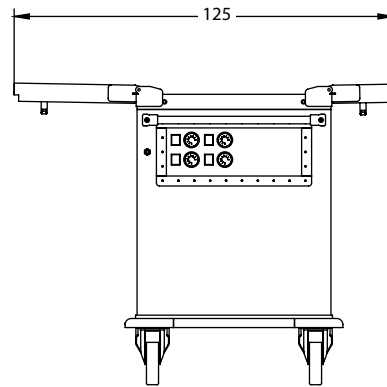
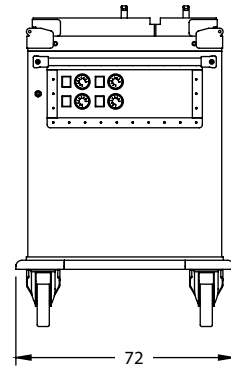
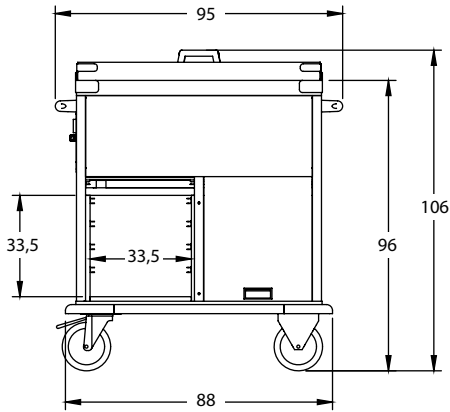
2x1/1 GN



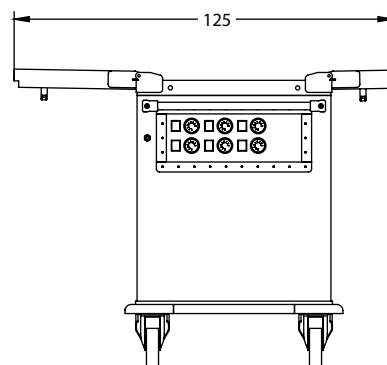
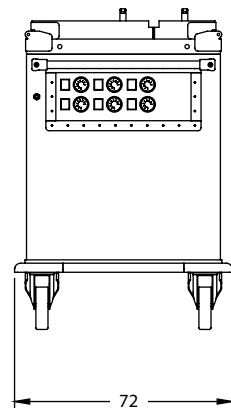
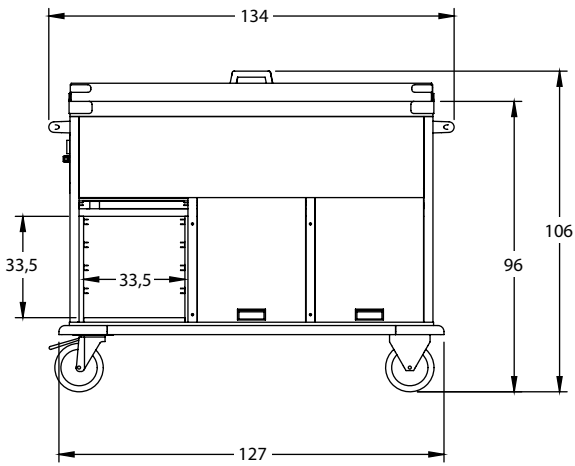
3x1/1 GN



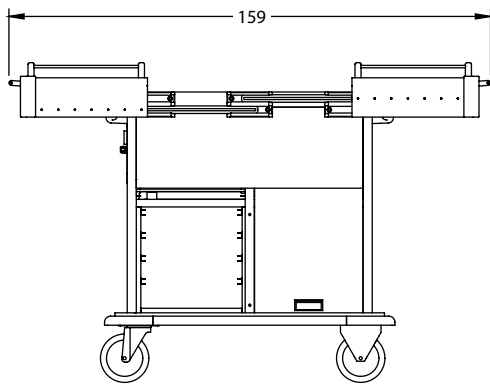
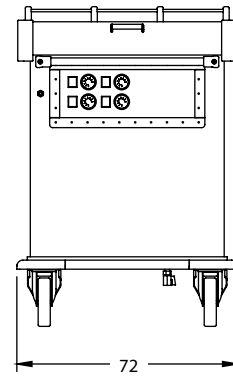
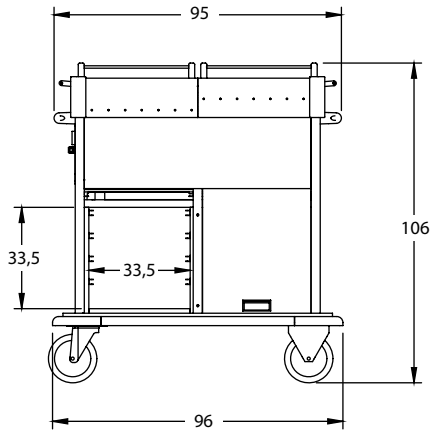
2x1/1 GN



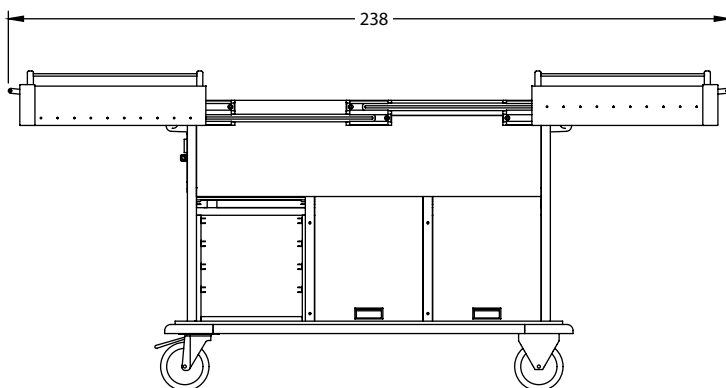
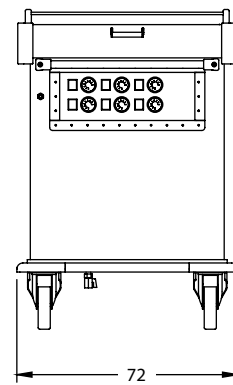
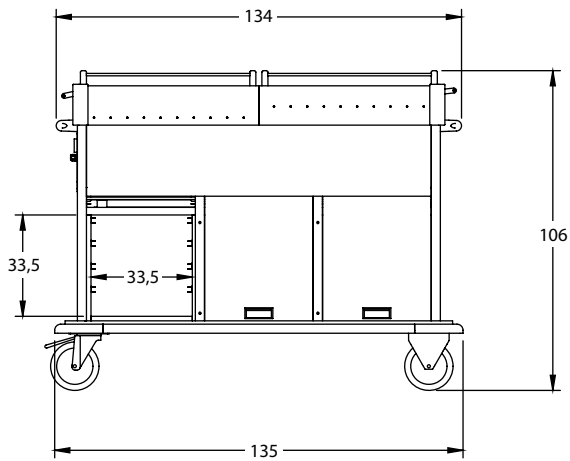
3x1/1 GN



2x1/1 GN



3x1/1 GN

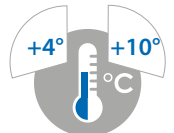
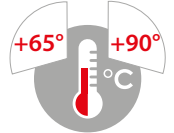
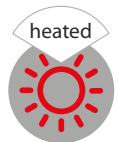


BAIN MARIE TROLLEYS - WELLS WITH SEPARATE TEMPERATURE CONTROL

- AISI 304 stainless steel sheet construction, brushed finish
- Polyurethane foam insulation panels
- Heat-proof push handles
- Separate Bain Marie wells in pressed steel sheet with no sharp edges; they can take up to 200mm deep GN pans (sold separately)
- Separate drain taps
- Separate and independent lower compartments - either ambient, heated or refrigerated depending on model - complete with runners to fit 1/1 GN containers and insulated up-and-over doors
- Mains supply: 230V, 50/60 Hz, single-phase
- Dry heating element underneath every well
- IPX5 digital control panel supplied as standard, fitted with independent adjustable thermostats, one for every heated or refrigerated compartment
- 3m long coiled power cable (no plug)
- Edges protected by all round grey non marking rubber bumpers
- Two fixed and two braked swivel castors with heavy-duty brackets, ø 16cm; grey non marking rubber tread on centre with roller bearing hub

Accessories: see p. 214-215

GN containers: see p. 162-163



Item 7375A1F1



Note: IPX5 digital control panel is supplied as standard in the Bain Marie trolleys with refrigerated compartments

☉ = ambient ☀ = heated ❄ = refrigerated

Item	GN	Lower compartment	Power	Max dim. (cm)
7370A0F1	2x1/1	❄	1600W	95x72x96
7375A0F2	3x1/1	❄ ❄	2200W	134x72x96
7375A1F1	3x1/1	☀ ❄	2450W	134x72x96
7378A0F2	4x1/1	☉ ❄ ❄	2800W	172x72x96
7378A1F2	4x1/1	☀ ❄ ❄	3050W	172x72x96
7378A2F1	4x1/1	☀ ☀ ❄	3300W	172x72x96

Options	Description	For item
SE260	1 Set with 4 resilient castors (2 with brake)	All



- Heat-proof lids opening to 180° for Bain Marie trolleys (opened lids can be used as support)
- AISI 304 stainless steel sheet construction, brushed finish



Options	Description	For item
C2	180° opening lids for 2/1 GN Bain Marie tops	7370A0F1
C3	180° opening lids for 3/1 GN Bain Marie tops	7375A0F2-7375A1F1

- Heat-proof lids opening 2/3 + 1/3 on the long side (opened lids can be used as support)
- AISI 304 stainless steel sheet construction, brushed finish



209

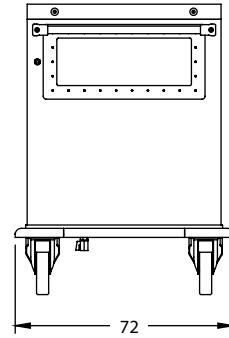
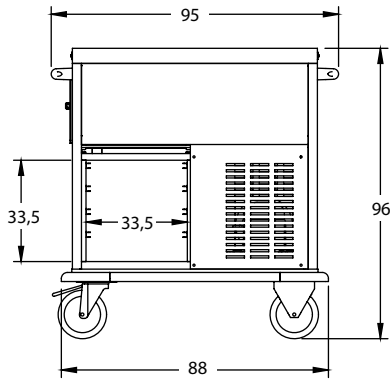
Options	Description	For item
L2	2/3 + 1/3 opening lids for 2/1 GN Bain Marie tops	7370A0F1
L3	2/3 + 1/3 opening lids for 3/1 GN Bain Marie tops	7375A0F2-7375A1F1

- Heat-proof lids sliding on the long side (opened lids can be used as support)
- AISI 304 stainless steel sheet construction, brushed finish

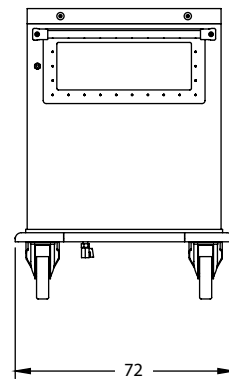
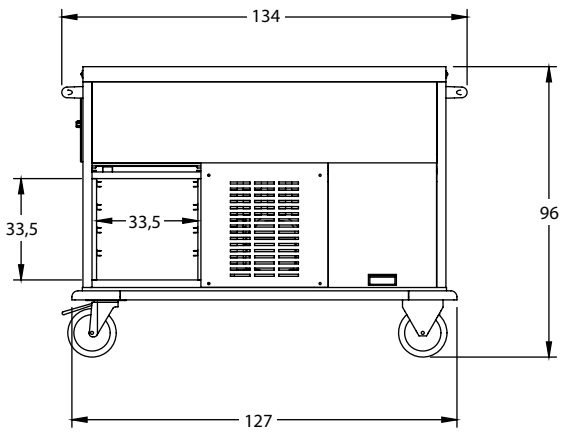


Options	Description	For item
S2	Sliding lids for 2/1 GN Bain Marie tops	7370A0F1
S3	Sliding lids for 3/1 GN Bain Marie tops	7375A0F2-7375A1F1

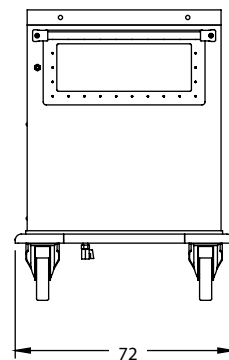
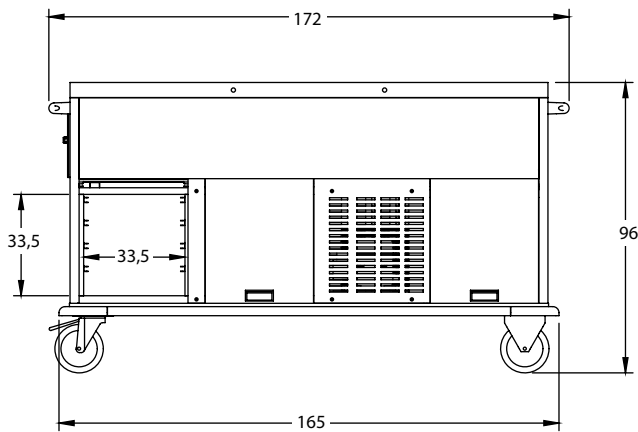
2x1/1 GN



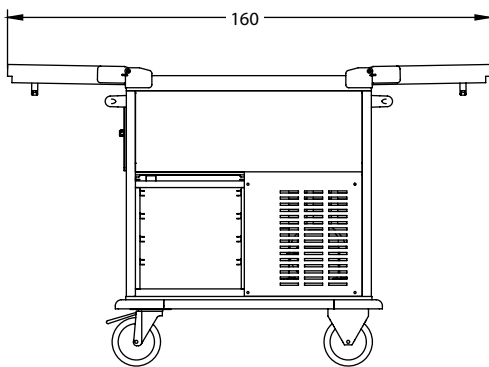
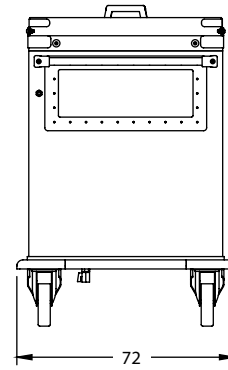
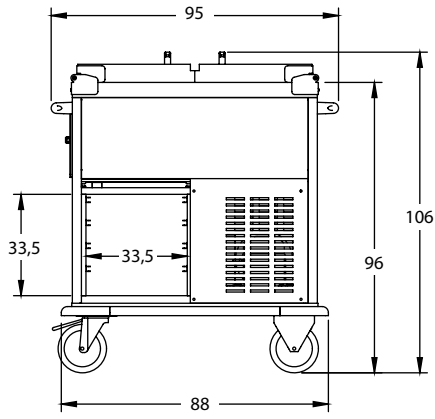
3x1/1 GN



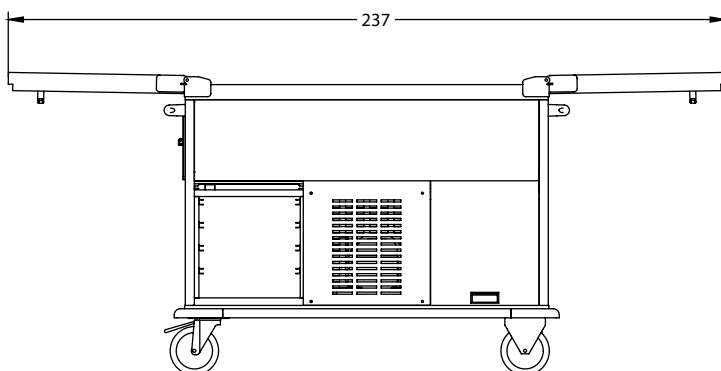
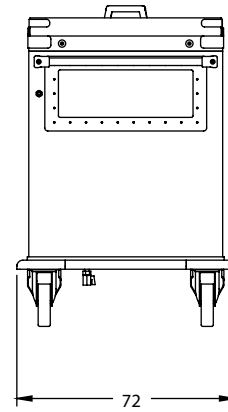
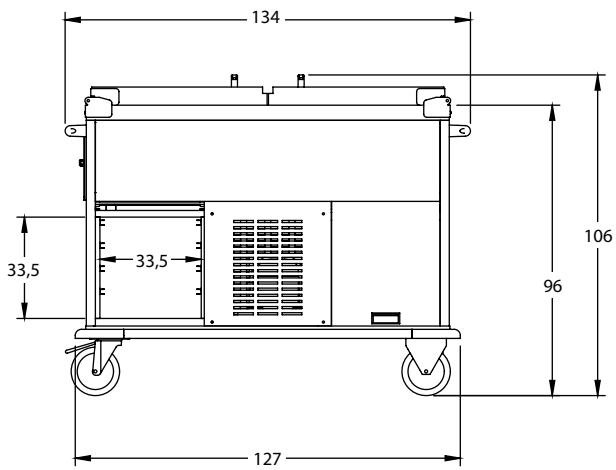
4x1/1 GN



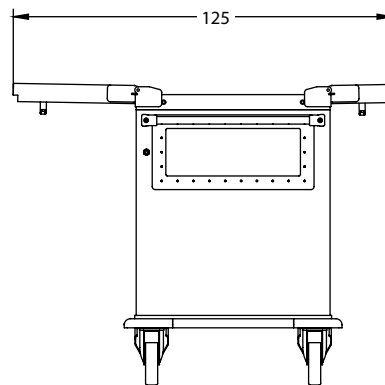
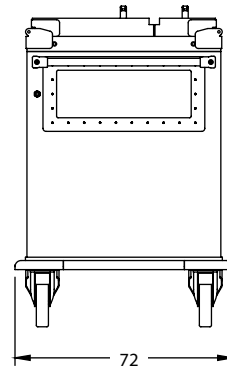
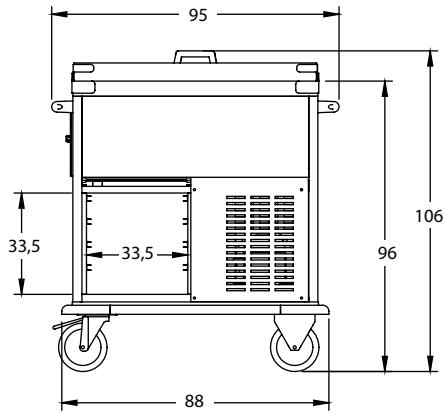
2x1/1 GN



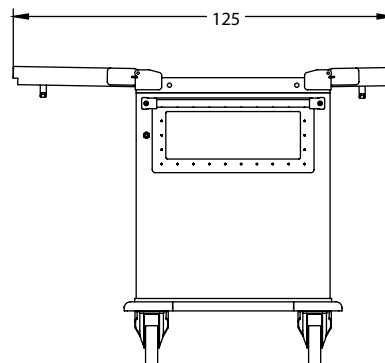
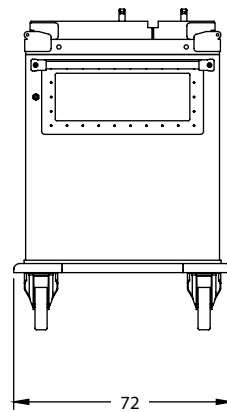
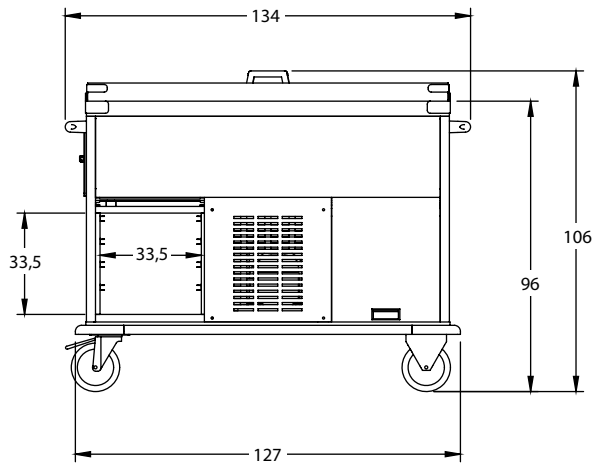
3x1/1 GN



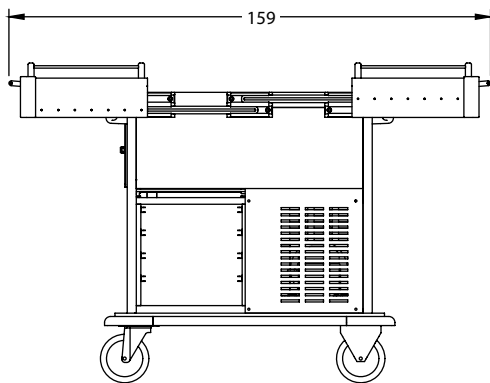
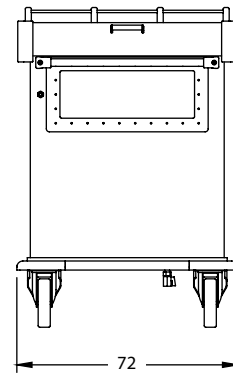
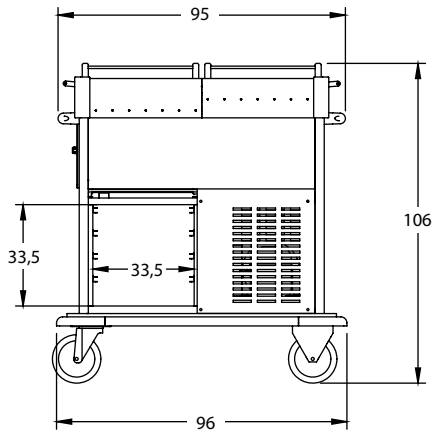
2x1/1 GN



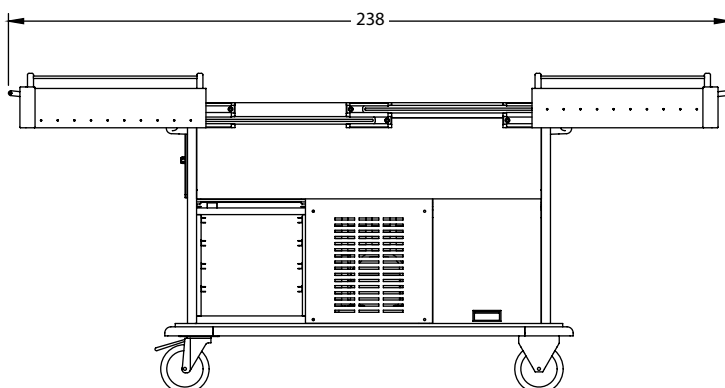
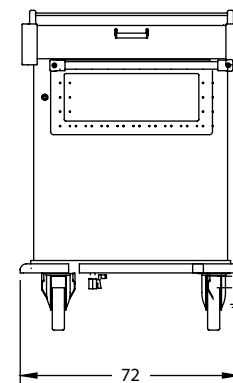
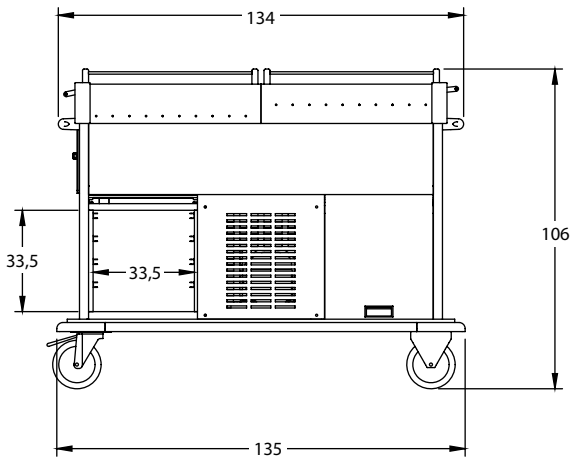
3x1/1 GN



2x1/1 GN



3x1/1 GN



ACCESSORIES AND OPTIONAL PARTS

Item

GN containers, lids and dividers for hot cupboards/Bain Marie trolleys
- see p. 162-163



Item

Description

T0030

GN eutectic plate (-10 °C) for lower compartments



Item

Description

T200

Power plug 2P+GND-6h/250V - 16A - IP67 (IEC 309)



214

Item

Description

For item

T0020

Glass sneeze guard

All Bain Marie trolleys 2x1/1 GN without lids

T0022

Glass sneeze guard

All Bain Marie trolleys 3x1/1 GN without lids

T0024

Glass sneeze guard

All Bain Marie trolleys 4x1/1 GN without lids



Item

Description

For item

T0002

Tray slide, short side

All Bain Marie trolleys

T0004

Tray slide, long side

All Bain Marie trolleys 2x1/1 GN without lids

T0006

Tray slide, long side

All Bain Marie trolleys 3x1/1 GN without lids

T0008

Tray slide, long side

All Bain Marie trolleys 4x1/1 GN without lids



Item	Control panel with thermostats and IPX5 protection	For item
T0100	1 top well	7360A0, 7365A0, 7368A0
T0102	1 top well + 1 lower compartment	7360A1 7365A1 7368A1
T0104	1 top well + 2 lower compartments	7360A2, 7365A2, 7368A2
T0106	1 top well + 3 lower compartments	7365A3, 7368A3
T0108	1 top well + 4 lower compartments	7368A4
T0110	2 top wells	7370A
T0112	2 top wells + 1 lower compartment	7370A1
T0114	2 top wells + 2 lower compartments	7370A2
T0116	3 top wells	7375A
T0118	3 top wells + 1 lower compartment	7375A1
T0120	3 top wells + 2 lower compartments	7375A2
T0122	3 top wells + 3 lower compartments	7375A3
T0124	4 top wells	7378A
T0126	4 top wells + 1 lower compartment	7378A1
T0128	4 top wells + 2 lower compartments	7378A2
T0130	4 top wells + 3 lower compartments	7378A3
T0132	4 top wells + 4 lower compartments	7378A4

(*) The IPX5 control panel is supplied as standard in the Bain Marie trolleys featuring one or more lower refrigerated compartments.

- Control panel with IPX5 protection (*)
on/off switch
digital thermostatic control



Item	Description	For item
------	-------------	----------

X002	Friction brake castors, ø 20cm	All Bain Marie trolleys except for models with sliding lids and with tow bar
------	--------------------------------	--



Item	Description	For item
------	-------------	----------

Y002	Tow bar with coupler	All Bain Marie trolleys except for models with friction brake castors
------	----------------------	---



OPTIONS SELECTION TABLE

Key:

S = standard;

N = not available;

O = optional accessory to be requested when placing the order;

O* = optional accessory to be requested when placing the order, not compatible with other accessories

Item	Permanent brake	Tow bar	Sneeze guard	Tray slide long side	Tray slide short side	Digital panel
7360	N	N	O	O	O	O
7365	N	N	O	O	O	O
7368	N	N	O	O	O	O
7370	N	N	O	O	O	O
7375	N	N	O	O	O	O
7378	N	N	O	O	O	O
7360A	O*	O*	O	O	O	O
7365A	O*	O*	O	O	O	O
7368A	O*	O*	O	O	O	O
7360A0	O*	O*	O	O	O	O
7360A1	O*	O*	O	O	O	O
7360A2	O*	O*	O	O	O	O
7365A0	O*	O*	O	O	O	O
7365A1	O*	O*	O	O	O	O
7365A2	O*	O*	O	O	O	O
7365A3	O*	O*	O	O	O	O
7368A0	O*	O*	O	O	O	O
7368A1	O*	O*	O	O	O	O
7368A2	O*	O*	O	O	O	O
7368A3	O*	O*	O	O	O	O
7368A4	O*	O*	O	O	O	O
7370A	O*	O*	O	O	O	O
7375A	O*	O*	O	O	O	O
7378A	O*	O*	O	O	O	O
7370A0	O*	O*	O	O	O	O
7370A1	O*	O*	O	O	O	O
7370A2	O*	O*	O	O	O	O
7375A0	O*	O*	O	O	O	O
7375A1	O*	O*	O	O	O	O
7375A2	O*	O*	O	O	O	O
7375A3	O*	O*	O	O	O	O
7378A0	O*	O*	O	O	O	O
7378A1	O*	O*	O	O	O	O
7378A2	O*	O*	O	O	O	O
7378A3	O*	O*	O	O	O	O
7378A4	O*	O*	O	O	O	O
7360A0F1	O*	O*	O	O	O	S
7365A0F2	O*	O*	O	O	O	S
7365A1F1	O*	O*	O	O	O	S
7368A0F2	O*	O*	O	O	O	S
7368A1F2	O*	O*	O	O	O	S
7368A2F1	O*	O*	O	O	O	S

Key:

S = standard;

N = not available;

O = optional accessory to be requested when placing the order;

O* = optional accessory to be requested when placing the order, not compatible with other accessories

Item	Permanent brake	Tow bar	Sneeze guard	Tray slide long side	Tray slide short side	Digital panel
7370A0F1	O*	O*	O	O	O	S
7375A0F2	O*	O*	O	O	O	S
7375A1F1	O*	O*	O	O	O	S
7378A0F2	O*	O*	O	O	O	S
7378A1F2	O*	O*	O	O	O	S
7378A2F1	O*	O*	O	O	O	S
7360A C2	O*	O*	N	O	N	O
7365A C3	O*	O*	N	O	N	O
7360A0 C2	O*	O*	N	O	N	O
7360A1 C2	O*	O*	N	O	N	O
7360A2 C2	O*	O*	N	O	N	O
7365A0 C3	O*	O*	N	O	N	O
7365A1 C3	O*	O*	N	O	N	O
7365A2 C3	O*	O*	N	O	N	O
7365A3 C3	O*	O*	N	O	N	O
7360A L2	O*	O*	N	N	O	O
7365A L3	O*	O*	N	N	O	O
7360A0 L2	O*	O*	N	N	O	O
7360A1 L2	O*	O*	N	N	O	O
7360A2 L2	O*	O*	N	N	O	O
7365A0 L3	O*	O*	N	N	O	O
7365A1 L3	O*	O*	N	N	O	O
7365A2 L3	O*	O*	N	N	O	O
7365A3 L3	O*	O*	N	N	O	O
7360A S2	N	O	N	O	N	O
7365A S3	N	O	N	O	N	O
7360A0 S2	N	O	N	O	N	O
7360A1 S2	N	O	N	O	N	O
7360A2 S2	N	O	N	O	N	O
7365A0 S3	N	O	N	O	N	O
7365A1 S3	N	O	N	O	N	O
7365A2 S3	N	O	N	O	N	O
7365A3 S3	N	O	N	O	N	O
7370A C2	O*	O*	N	O	N	O
7375A C3	O*	O*	N	O	N	O
7370A0 C2	O*	O*	N	O	N	O
7370A1 C2	O*	O*	N	O	N	O
7370A2 C2	O*	O*	N	O	N	O
7375A0 C3	O*	O*	N	O	N	O
7375A1 C3	O*	O*	N	O	N	O
7375A2 C3	O*	O*	N	O	N	O
7375A3 C3	O*	O*	N	O	N	O

OPTIONS SELECTION TABLE

Key:

S = standard;

N = not available;

O = optional accessory to be requested when placing the order;

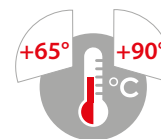
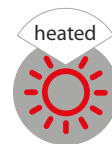
O* = optional accessory to be requested when placing the order, not compatible with other accessories

Item	Permanent brake	Tow bar	Sneeze guard	Tray slide long side	Tray slide short side	Digital panel
7370A L2	O*	O*	N	N	O	O
7375A L3	O*	O*	N	N	O	O
7370A0 L2	O*	O*	N	N	O	O
7370A1 L2	O*	O*	N	N	O	O
7370A2 L2	O*	O*	N	N	O	O
7375A0 L3	O*	O*	N	N	O	O
7375A1 L3	O*	O*	N	N	O	O
7375A2 L3	O*	O*	N	N	O	O
7375A3 L3	O*	O*	N	N	O	O
7370A S2	N	O	N	O	N	O
7375A S3	N	O	N	O	N	O
7370A0 S2	N	O	N	O	N	O
7370A1 S2	N	O	N	O	N	O
7370A2 S2	N	O	N	O	N	O
7375A0 S3	N	O	N	O	N	O
7375A1 S3	N	O	N	O	N	O
7375A2 S3	N	O	N	O	N	O
7375A3 S3	N	O	N	O	N	O
7360A0F1 C2	O*	O*	N	O	N	S
7365A0F2 C3	O*	O*	N	O	N	S
7365A1F1 C3	O*	O*	N	O	N	S
7360A0F1 L2	O*	O*	N	N	O	S
7365A0F2 L3	O*	O*	N	N	O	S
7365A1F1 L3	O*	O*	N	N	O	S
7360A0F1 S2	N	O	N	O	N	S
7365A0F2 S3	N	O	N	O	N	S
7365A1F1 S3	N	O	N	O	N	S
7370A0F1 C2	O*	O*	N	O	N	S
7375A0F2 C3	O*	O*	N	O	N	S
7375A1F1 C3	O*	O*	N	O	N	S
7370A0F1 L2	O*	O*	N	N	O	S
7375A0F2 L3	O*	O*	N	N	O	S
7375A1F1 L3	O*	O*	N	N	O	S
7370A0F1 S2	N	O	N	O	N	S
7375A0F2 S3	N	O	N	O	N	S
7375A1F1 S3	N	O	N	O	N	S



DRINKS DISPENSERS

- Double skinned, AISI 304 stainless steel sheet construction, brushed finish
- Removable top cover with handles
- It contains 15L beverage containers, all with covers
- Drip tray with grille in stainless steel sheet
- Bain Marie drain tap
- Bain Marie wet heat
- ON/OFF switch with LED
- Thermostatic control from + 30 °C to + 90 °C
- Power cable
- Mains supply: 230V, 50/60 Hz, single-phase



Item 1178



Item 1178 + 1178V

220

Item	Capacity	Power	Max dim. (cm)
1176	3 x 15L containers	2000W	105x52x74
1178	4 x 15L containers	2000W	135x52x74

- AISI 304 stainless steel construction, brushed finish
- Special fittings to fix the beverage dispenser (on request)
- Hinged doors with lock
- Middle shelf adjustable in height
- Push handles
- Two fixed and two swivel castors, ø 16cm

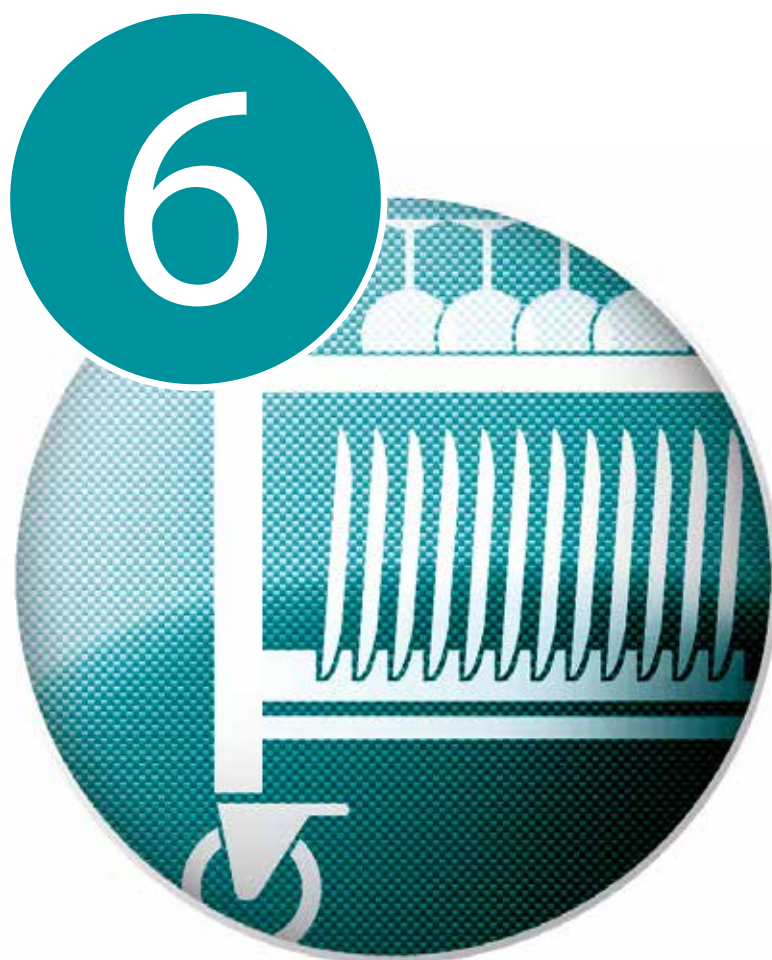


Item 1178V + S1270

Item	For item	Max dim. (cm)
1176V	1176	116x69x87
1178V	1178	146x69x87

Options		Description	For item
S1270	1	Set with 2 braked castors	All
SE270	2	Set with 4 resilient castors (2 with brake)	All

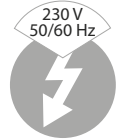
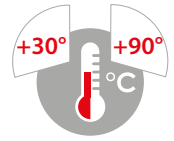
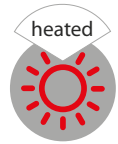




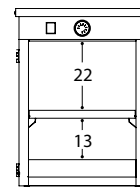
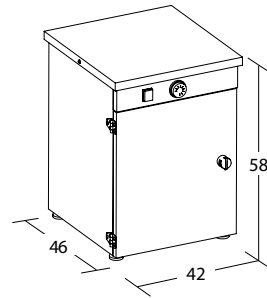
TABLEWARE
HANDLING TROLLEYS

PLATE WARMER CABINETS

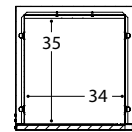
- Double skinned, stainless steel sheet construction insulated with expanded polyurethane panels
- Insulated double skinned front doors opening to 180°, with mechanical key lock
- Internal grilled shelves adjustable in height
- ON/OFF switch with warning light
- Thermostatic control from + 30 °C to +90 °C
- Mains supply: 230V, 50/60 Hz, single-phase
- Adjustable feet for item 9630
- Swivel castors, ø 8cm, for items 9660, 96100, 96120



Item 9630



Adjustable shelf

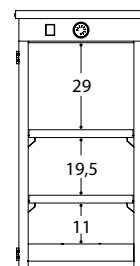
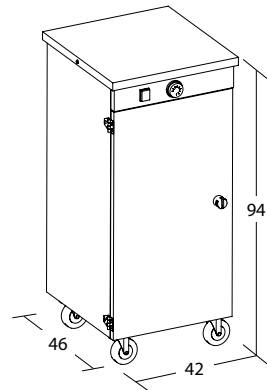


Internal capacity

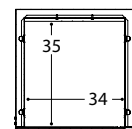
224



Item 9660



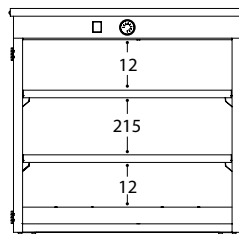
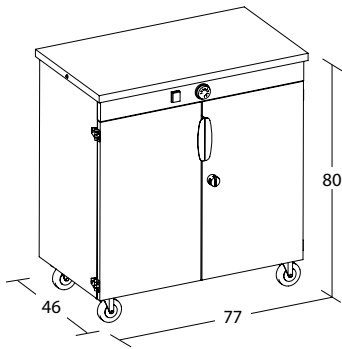
Adjustable shelves



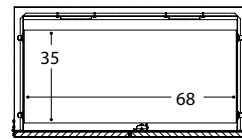
Internal capacity



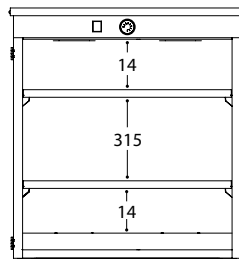
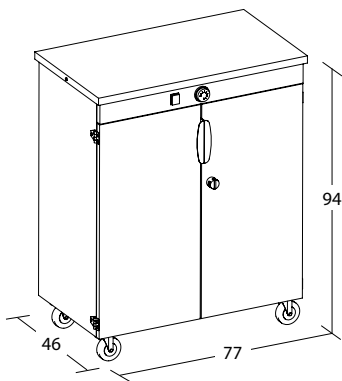
Item 96120 + S1100



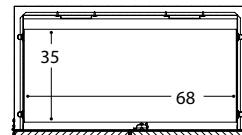
Adjustable shelves



Internal capacity



Adjustable shelves



Internal capacity

Item	Load. cap.	Max plate ø (cm)	Doors	Shelves	Power	Max dim. (cm)
9630	30	32	1	1	400W	42x46x58
9660	60	32	1	2	800W	42x46x94
96100	100	32	2	2	800W	77x46x80
96120	120	32	2	2	800W	77x46x94

Options	Description	For item
S1100	1 Set with 2 braked castors	9660 - 96100 - 96120

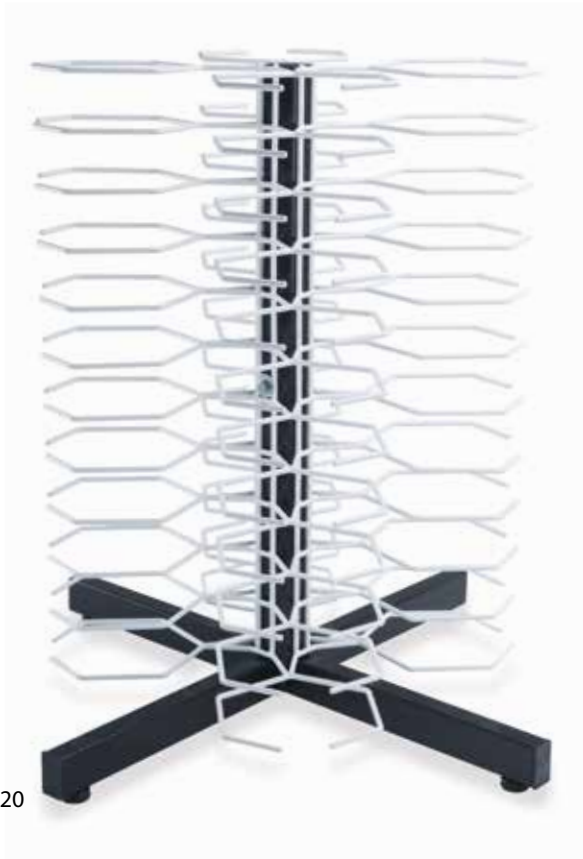


COUNTERTOP PLATE STACKERS

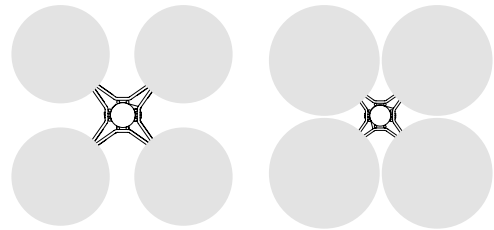
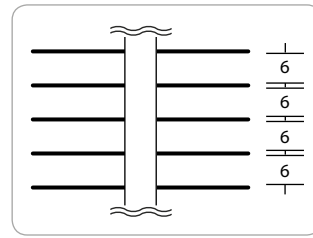
- Black painted steel construction
- White Rilsan plastic coated steel supports
- Adjustable feet

226

Item 3020



48 plates



Item	Capacity	Plate ø (cm)	Max dim. (cm)
3020	48 plates	18÷24	77x77x95
3021	48 plates	24÷31	77x77x95

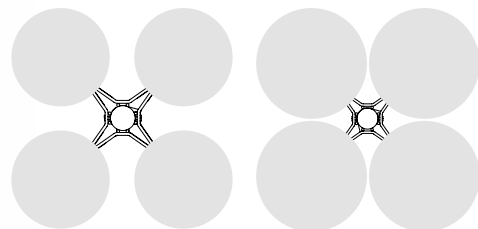
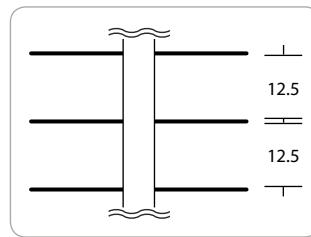
Accessories	Description	For item
A0252	1 PVC cover with zipper	All





Item 3019

24 plates



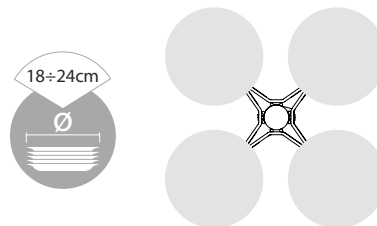
Item	Capacity	Plate ø (cm)	Max dim. (cm)
3018	24 plates	18÷24	77x77x95
3019	24 plates	24÷31	77x77x95

Accessories	Description	For item
A0252	1 PVC cover with zipper	All



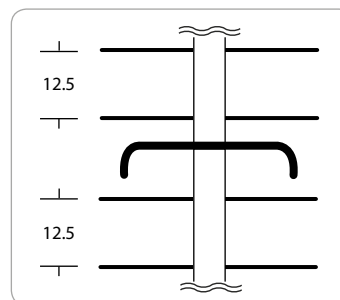
WHEELED PLATE STACKERS

- Black painted steel construction
- White Rilsan plastic coated steel support
- Push handle
- Swivel castors, \varnothing 12.5cm, 2 with brake

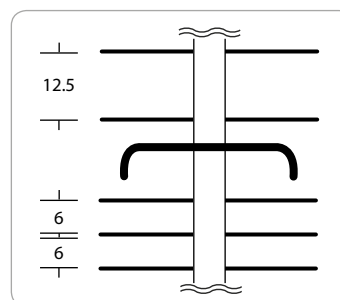


Item 3008

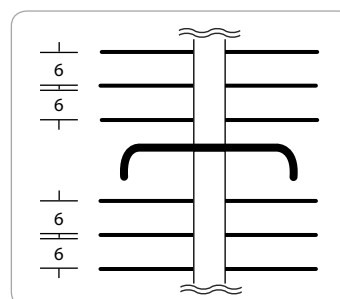
48 plates - Item 3008



72 plates - Item 3009



96 plates - Item 3010



228

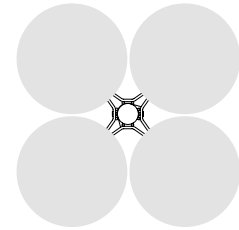
Item	Capacity	Plate \varnothing (cm)	Max dim. (cm)
3008	48 plates	18÷24	77x77x180
3009	72 plates	18÷24	77x77x180
3010	96 plates	18÷24	77x77x180

Accessories	Description	For item
A0250	1 PVC cover with zipper	All

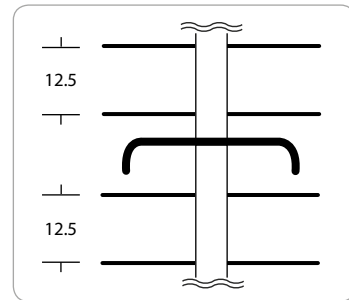




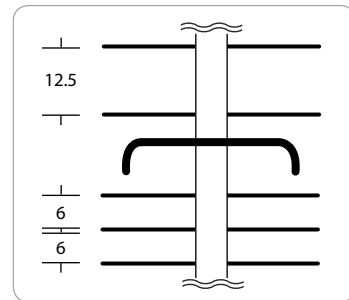
Item 3011



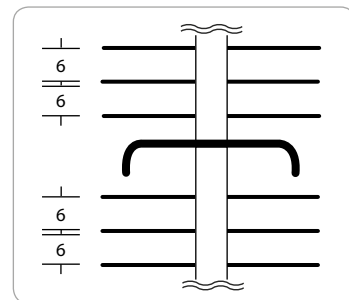
48 plates - Item 3013



72 plates - Item 3012



96 plates - Item 3011



Item	Capacity	Plate ø (cm)	Max dim. (cm)
3013	48 plates	24÷31	77x77x180
3012	72 plates	24÷31	77x77x180
3011	96 plates	24÷31	77x77x180

Accessories	Description	For item
A0250	1 PVC cover with zipper	All

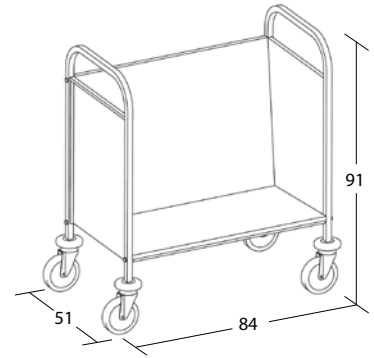


PLATE TROLLEYS

- Stainless steel 2x2cm square tube frame
- AISI 304 stainless steel side panels
- Inclined plate support to prevent sliding
- Lower stainless steel shelf depending on model
- Grey rubber ring buffers
- Swivel castors, \varnothing 12.5cm



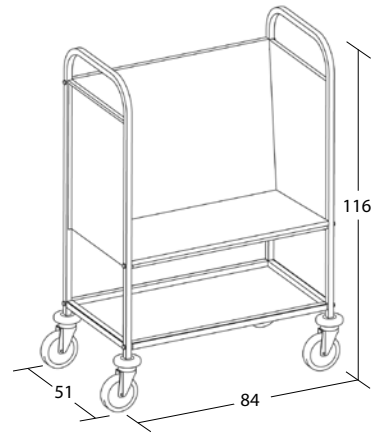
Item 1270 + S1200



230



Item 1272



Item	Max dim. (cm)
1270	84x51x91
1272	84x51x116

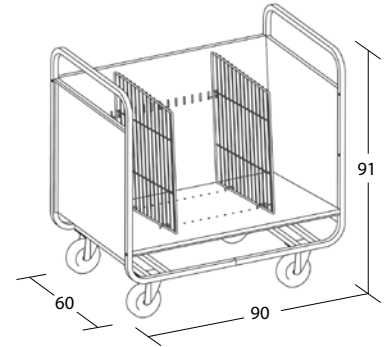
Options	Description	For item
S1200	1 Set with 2 braked castors	1270 - 1272



Accessories	Description	For item
A0254	PVC cover with zipper	1270
A0255	PVC cover with zipper	1272

- Stainless steel 2x2cm square tube frame
- AISI 304 stainless steel side panels
- Inclined plate support to prevent sliding
- Dividers available on request
- Stainless steel wire dividers (optional)
- Swivel castors, ø 12.5cm, 2 with brake

Note: dividers sold separately



REVISED RANGE
 AVAILABLE ON OUR
BROCHURE "015/016"

New
015/016



Item 1270P + A0056(x2)

Item	Max dim. (cm)
1270P	90x60x91

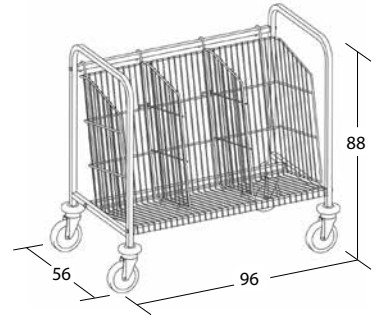
Accessories	Description	For item
A0056	Removable stainless steel wire divider	1270P
A0260	PVC cover with zipper	1270P

PLATE TROLLEYS

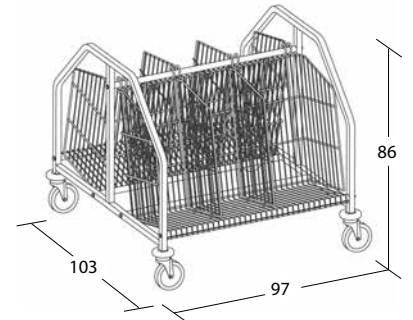
- Stainless steel 2x2cm square tube frame for item 1274, or 2.5x2.5 square tube frame for item 1276
- White Rilsan plastic coated steel wire racks with removable dividers
- Grey rubber ring buffers
- Swivel castors, ø 12.5cm



Item 1274



Item 1276



232

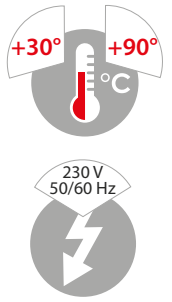
Item	Max dim. (cm)
1274	96x56x88
1276	97x103x86

Options	Description	For item
S1200	1 Set with 2 braked castors	1274
S1220	1 Set with 2 braked castors	1276



Accessories	Description	For item
A0274	PVC cover with zipper	1274
A0276	PVC cover with zipper	1276

- AISI 304 stainless steel sheet construction, brushed finish
- Heat-proof push handle
- 2 cylinders with load adjustment by springs, complete with covers and suitable for housing plates of various diameters, depending on model
- The heated version features a double skinned construction insulated with expanded polyurethane panels
- Control panel with adjustable thermostat from +30 °C to +90 °C
- ON/OFF switch with warning light
- 3m long coiled power cable
- Mains supply: 230V, 50/60 Hz, single-phase
- Grey rubber buffers
- Swivel castors, ø 12.5cm, 2 with brake



Item 9708

☉ = ambient ☀ = heated

Item		Description	Load. cap.	Plate ø	Power	Max dim. (cm)
9702	☉	2 adjustable plate lowerators	about 130	19÷26	-	110x56x90
9704	☉	2 adjustable plate lowerators	about 130	27÷33	-	110x56x90
9706	☀	2 adjustable plate lowerators	about 130	19÷26	1000W	110x56x90
9708	☀	2 adjustable plate lowerators	about 130	27÷33	1000W	110x56x90
9712	☉	2 plate lowerators	about 130	26	-	110x56x90
9714	☉	2 plate lowerators	about 130	31	-	110x56x90
9716	☀	2 plate lowerators	about 130	26	1000W	110x56x90
9718	☀	2 plate lowerators	about 130	31	1000W	110x56x90

CROCKERY AND GLASSWARE DRAINING TROLLEYS

- Stainless steel 2x2cm square tube frame, or 2.5x2.5cm square tube frame for items 5034, 5036 and 5038
- Stainless steel sheet crockery racks with no sharp edges
- Thermoformed ABS glass rack with drip tray and watertight plug
- Swivel castors, ø 12.5cm



Item 5020 + S1200

Item	Load. cap.	Plate ø	Crockery racks	Glass racks	Max dim. (cm)
5002	180	16÷26	3	-	87x62x121
5004	120	16÷26	2	1	87x62x121
5006	60	16÷26	1	2	87x62x121
5020	216	16÷26	3	-	102x62x121
5022	144	16÷26	2	1	102x62x121
5024	72	16÷26	1	2	102x62x121
5034	216	16÷32	3	-	102x69x134
5036	144	16÷32	2	1	102x69x134
5038	72	16÷32	1	2	102x69x134



Item 5022 + S1200



Item 5024 + S1200

Options		Description	For item
S1200	1	Set with 2 braked castors	5002 - 5004 - 5006 5020 - 5022 - 5024
S1220	1	Set with 2 braked castors	5034 - 5036 - 5038



Accessories		Description	For item
A0282	2	PVC cover with zipper	5002 - 5004 - 5006
A0284	2	PVC cover with zipper	5020 - 5022 - 5024
A0289	2	PVC cover with zipper	5034 - 5036 - 5038



CROCKERY AND GLASSWARE DRAINING TROLLEYS

- Stainless steel 2x2cm square tube frame
- Stainless steel sheet crockery racks with no sharp edges
- Thermoformed ABS glass rack with drip tray and watertight plug
- Swivel castors, \varnothing 12.5cm



Item 5026 + S1200



Item 5028 + S1200

236

Item	Load. cap.	Plate \varnothing	Crockery racks	Glass racks	Max dim. (cm)
5012	240	16÷26	4	-	87x62x159
5014	180	16÷26	3	1	87x62x159
5016	120	16÷26	2	2	87x62x159
5018	60	16÷26	1	3	87x62x159
5026	288	16÷26	4	-	102x62x159
5028	216	16÷26	3	1	102x62x159
5030	144	16÷26	2	2	102x62x159
5032	72	16÷26	1	3	102x62x159



Item 5030 + S1200



Item 5032 + S1200

Options		Description	For item
S1200	1	Set with 2 braked castors	All

Accessories		Description	For item
A0286	2	PVC cover with zipper	5012 - 5014 5016 - 5018
A0288	2	PVC cover with zipper	5026 - 5028 5030 - 5032

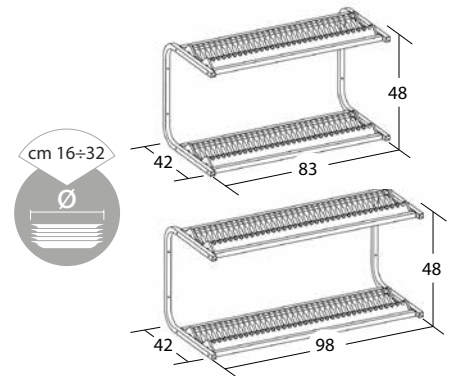


WALL- MOUNTED DRAINERS

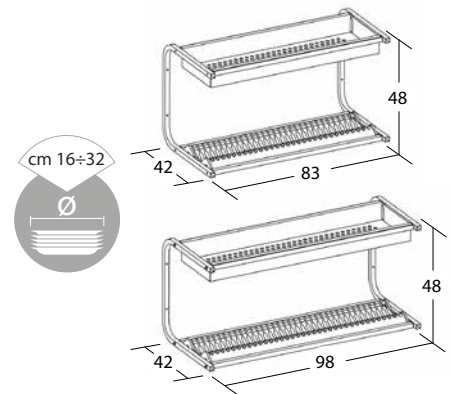
- Stainless steel 2x2cm square tube frame
- Stainless steel sheet crockery racks with no sharp edges
- Stainless steel sheet glass racks with drip tray



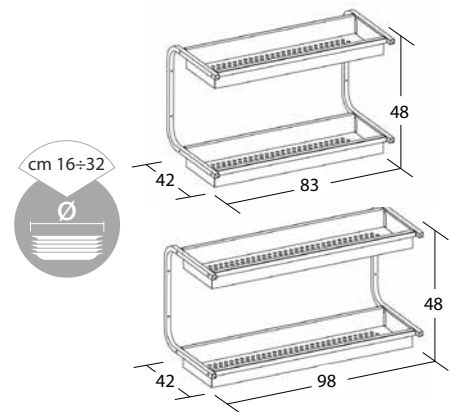
Item 5062



Item 5064



Item 5066

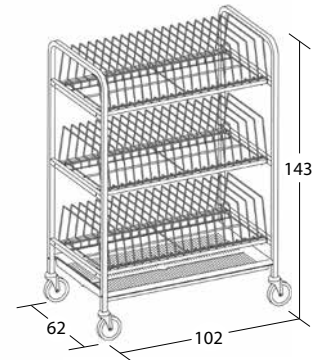


Item	Load. cap.	Plate ø	Plate racks	Glass racks	Max dim. (cm)
5052	60	16÷32	2	-	83x42x48
5054	30	16÷32	1	1	83x42x48
5056	-	16÷32	-	2	83x42x48
5062	72	16÷32	2	-	98x42x48
5064	36	16÷32	1	1	98x42x48
5066	-	16÷32	-	2	98x42x48

- Stainless steel 2.5x2.5cm square tube frame
- Stainless steel wire dividers
- Thermoformed ABS drip tray with watertight plug
- Swivel castors, ø 12.5cm



Item 2264



Item	Tray/lid loading capacity	Max dim. (cm)
2264	60	102x62x143

Options	Description	For item
S1220	1 Set with 2 braked castors	2264



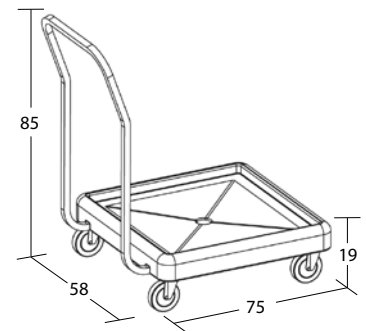
Accessories	Description	For item
A0270	PVC cover with zipper	2264

DISHWASHER RACK TROLLEYS

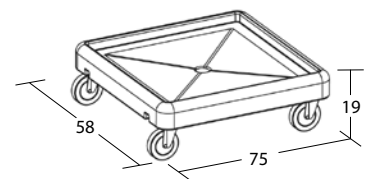
- Linear polyethylene support with drain hole and plug
- Stainless steel handle for item 2205P
- Swivel castors, \varnothing 9.5cm



Item 2205P



Item 2206P



240

Item	Description	Max dim. (cm)
2205P	Base with handle	75x58x85
2206P	Base only	75x58x19

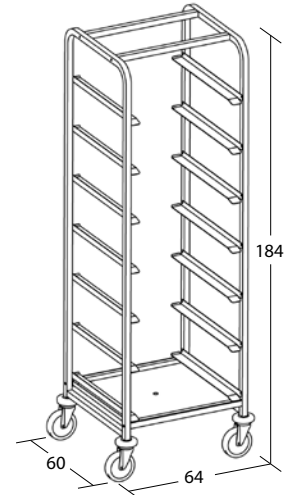
Options	Description	For item
S1120	1 Set with 2 braked castors	All



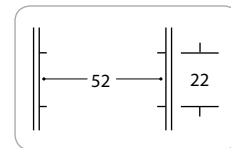
- Stainless steel 2.5x2.5cm square tube frame with bolted cross-members
- Stainless steel L-shaped runners
- Suitable for dishwasher glass rack (dim. 51x51cm)
- Grey rubber ring buffers
- Swivel castors, ø 12.5cm



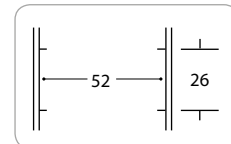
Item 1499-6



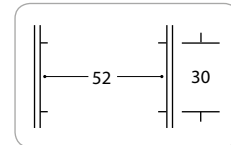
7 guide



6 guide



5 guide



Item	Runners	Space between shelves (cm)	Max dim. (cm)
1499-5	5	30	64x60x184
1499-6	6	26	64x60x184
1499-7	7	22	64x60x184

Options	Description	For item
S1220	1 Set with 2 braked castors	All



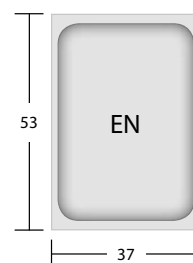
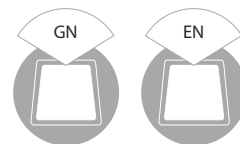
Accessories	Description	For item
A0278	PVC cover with zipper	All



TRAY/PAN
RACKING TROLLEYS








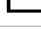



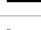

GN - EN TRAY TROLLEYS


- Stainless steel 2x2cm square tube construction with bolted cross-members
- Stainless steel L-shaped runners
- Suitable for GN or EN trays, depending on model
- Grey rubber ring buffers
- Swivel castors, ø 12.5cm



Item 1475GN + A0019 x 2

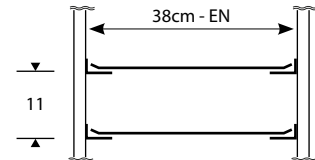
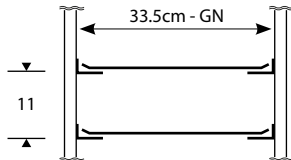
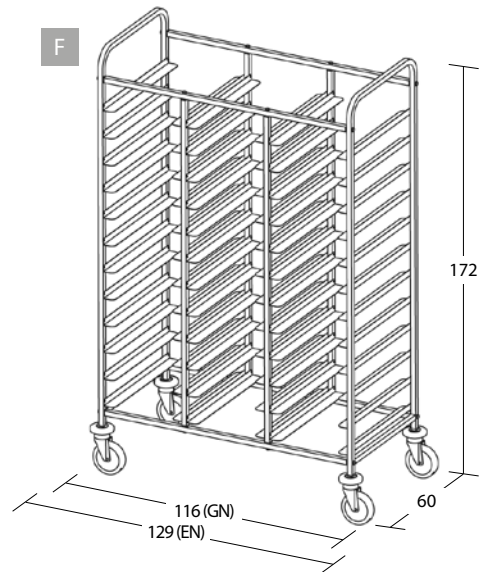
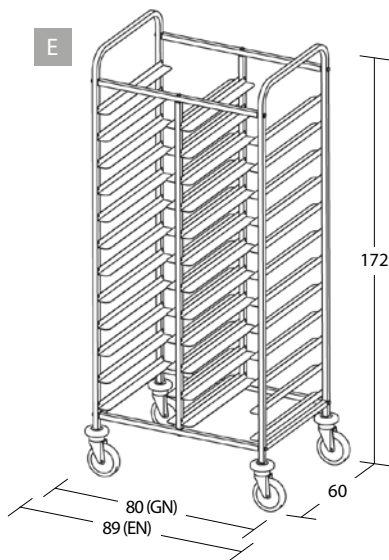
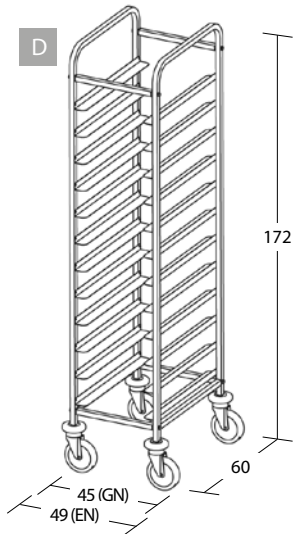
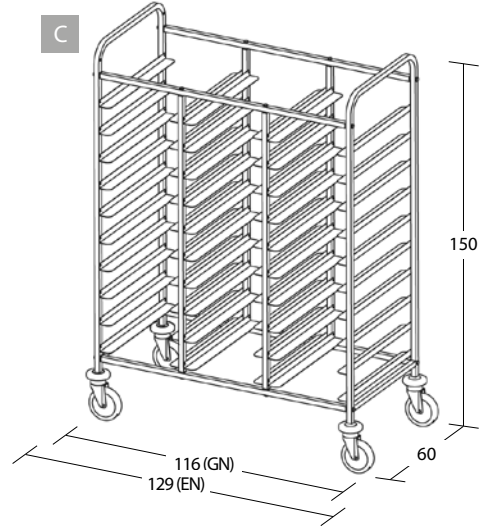
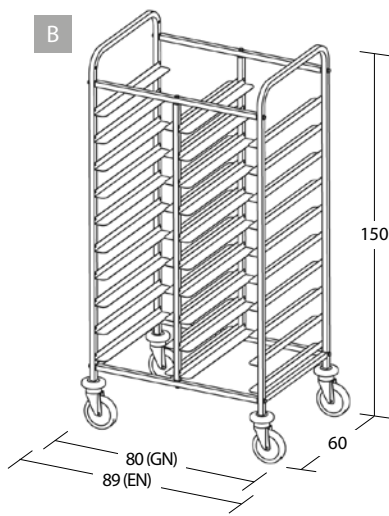
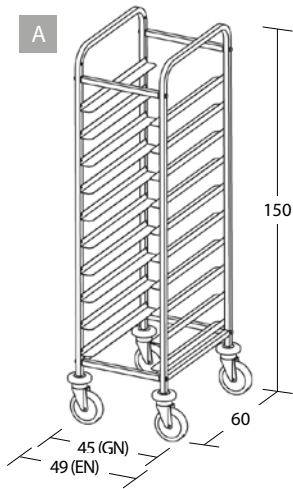
244

Item	Loading capacity	Runners	Shelf spacing (cm)		Max dim. (cm)
1470GN	10 GN		11	A	45x60x150
1472GN	12 GN		11	D	45x60x172
1475GN	20 GN		11	B	80x60x150
1477GN	24 GN		11	E	80x60x172
1480GN	30 GN		11	C	116x60x150
1482GN	36 GN		11	F	116x60x172
1470EN	10 EN		11	A	49x60x150
1472EN	12 EN		11	D	49x60x172
1475EN	20 EN		11	B	89x60x150
1477EN	24 EN		11	E	89x60x172
1480EN	30 EN		11	C	129x60x150
1482EN	36 EN		11	F	129x60x172

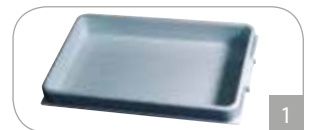
Options		Description	For item
S1200	1	Set with 2 braked castors	All
SE200	2	Set with 4 resilient castors (2 with brake)	All



Max overall dimensions



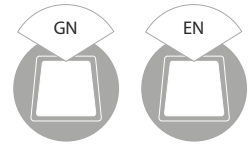
Accessories	Description	For item
A0019	1 Removable ABS container - GN size	All GN
A050GN	2 Removable stainless steel container - GN size	All GN
A050EN	2 Removable stainless steel container - EN size	All EN



NOTE: each column corresponds to one removable container

GN - EN TRAY TROLLEYS - MELAMINE-FACED PANELS ON 2 SIDES

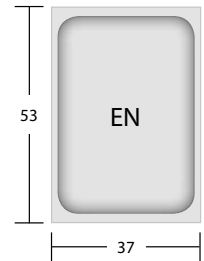
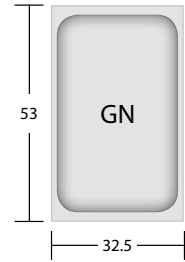
- Stainless steel 2x2cm square tube construction with bolted cross-members
- Stainless steel L-shaped runners
- Suitable for GN or EN trays, depending on model
- Two melamine-faced side panels
- Grey rubber ring buffers
- Swivel castors, ø 12.5cm
















Cherry wood




Item 1475GN-PN



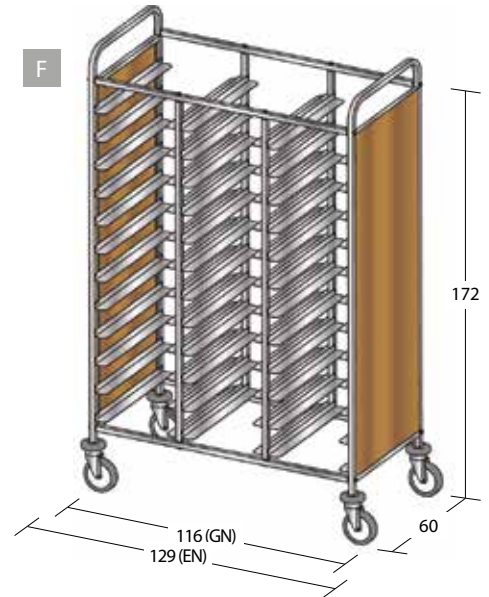
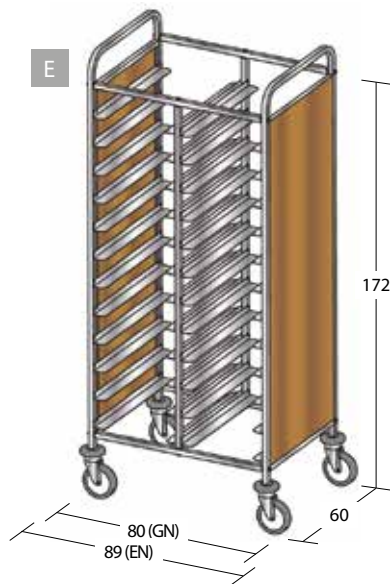
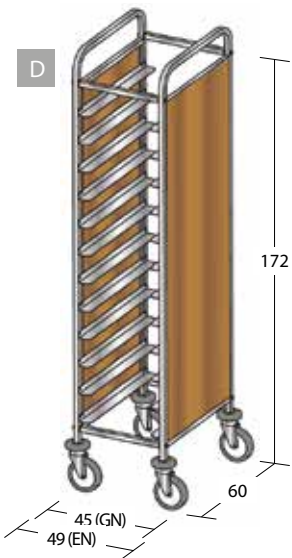
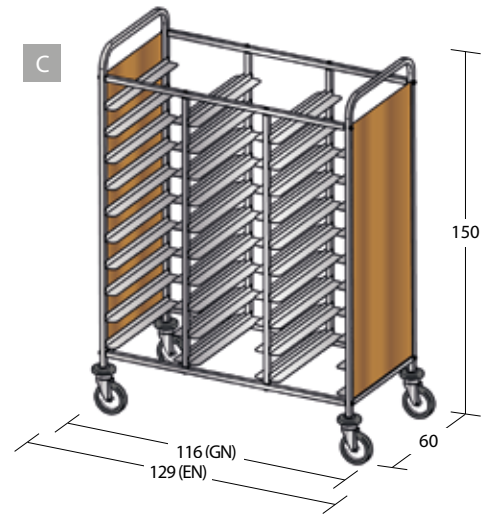
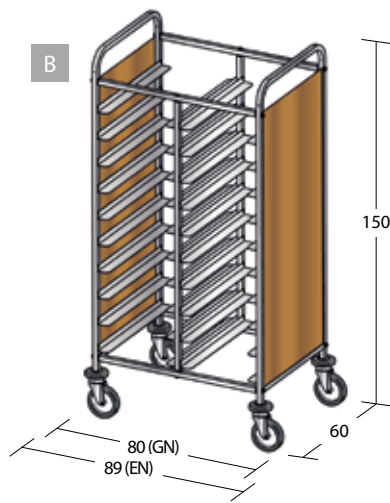
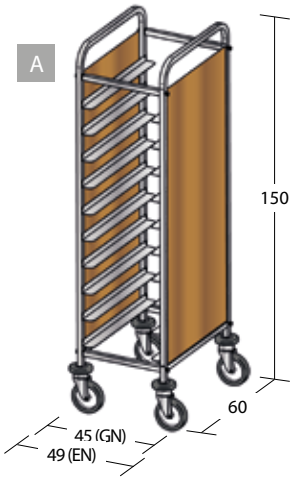
246

Item	Loading capacity	Runners	Shelf spacing (cm)		Max dim. (cm)
1470GN-PN	10 GN		11	A	45x60x150
1472GN-PN	12 GN		11	D	45x60x172
1475GN-PN	20 GN		11	B	80x60x150
1477GN-PN	24 GN		11	E	80x60x172
1480GN-PN	30 GN		11	C	116x60x150
1482GN-PN	36 GN		11	F	116x60x172
1470EN-PN	10 EN		11	A	49x60x150
1472EN-PN	12 EN		11	D	49x60x172
1475EN-PN	20 EN		11	B	89x60x150
1477EN-PN	24 EN		11	E	89x60x172
1480EN-PN	30 EN		11	C	129x60x150
1482EN-PN	36 EN		11	F	129x60x172

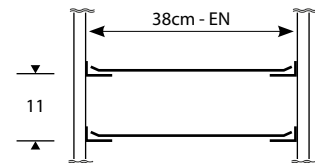
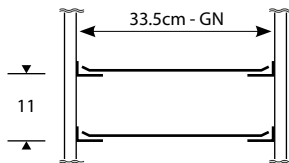
Options		Description	For item
S1200	1	Set with 2 braked castors	All
SE200	2	Set with 4 resilient castors (2 with brake)	All



Max overall dimensions



247



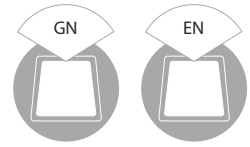
Accessories		Description	For item
A0019	1	Removable ABS container - GN size	All GN
A050GN	2	Removable stainless steel container - GN size	All GN
A050EN	2	Removable stainless steel container - EN size	All EN



NOTE: each column corresponds to one removable container

GN - EN TRAY TROLLEYS - MELAMINE-FACED PANELS ON 3 SIDES

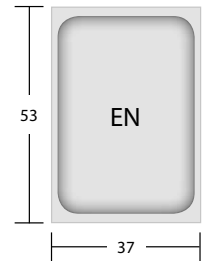
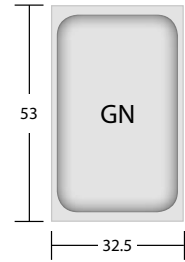
- Stainless steel 2x2cm square tube construction with bolted cross-members
- Stainless steel L-shaped runners
- Suitable for GN or EN trays, depending on model
- Melamine-faced panels on three sides, top shelf with rails
- Grey rubber ring buffers
- Swivel castors, ø 12.5cm



Cherry wood



Item 1476SGN + S1200



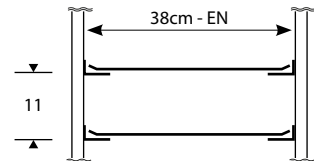
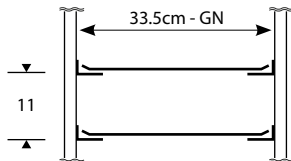
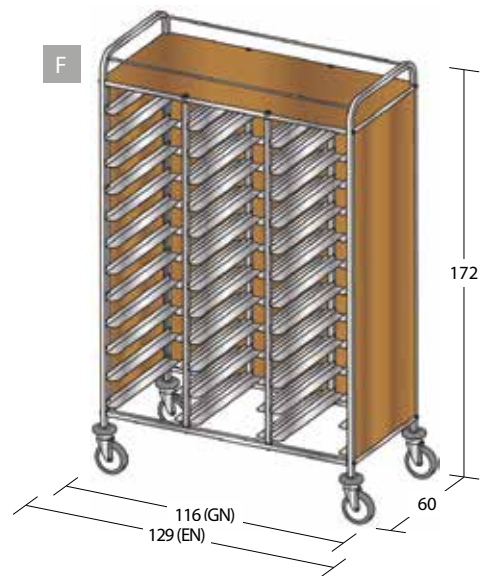
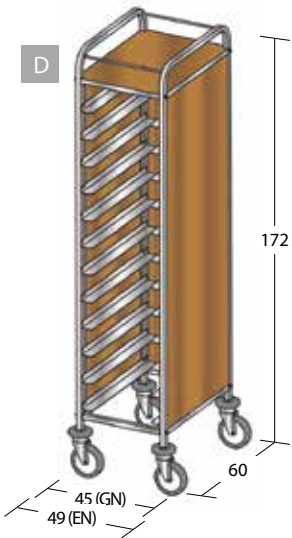
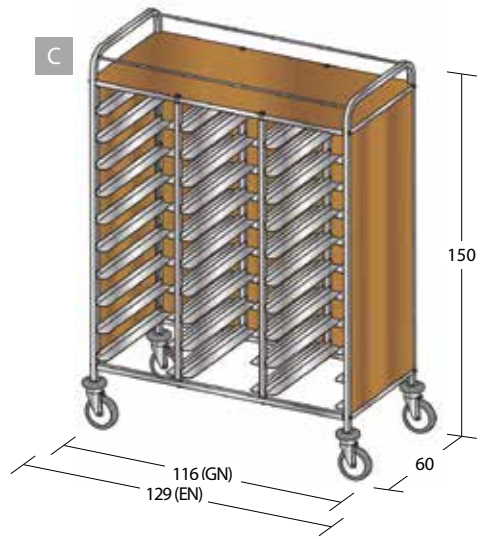
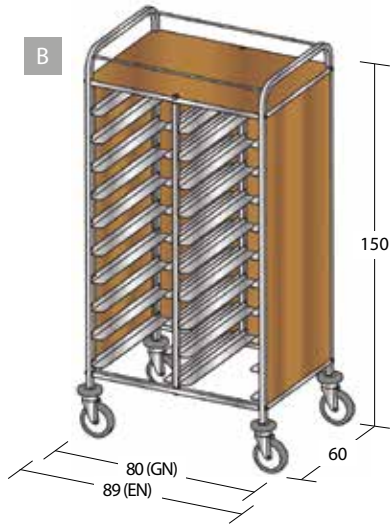
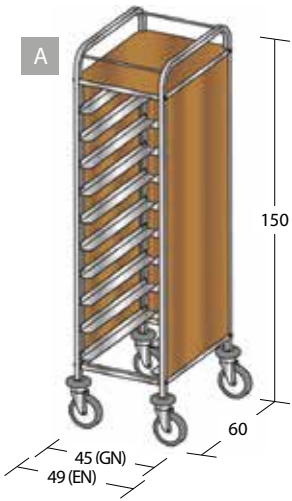
248

Item	Loading capacity	Runners	Shelf spacing (cm)		Max dim. (cm)
1471SGN	10 GN		11	A	45x60x150
1474SGN	12 GN		11	D	45x60x172
1476SGN	20 GN		11	B	80x60x150
1478SGN	24 GN		11	E	80x60x172
1481SGN	30 GN		11	C	116x60x150
1483SGN	36 GN		11	F	116x60x172
1471SEN	10 EN		11	A	49x60x150
1474SEN	12 EN		11	D	49x60x172
1476SEN	20 EN		11	B	89x60x150
1478SEN	24 EN		11	E	89x60x172
1481SEN	30 EN		11	C	129x60x150
1483SEN	36 EN		11	F	129x60x172

Options		Description	For item
S1200	1	Set with 2 braked castors	All
SE200	2	Set with 4 resilient castors (2 with brake)	All

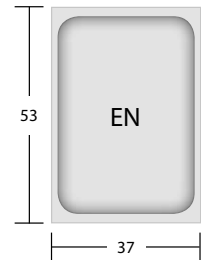
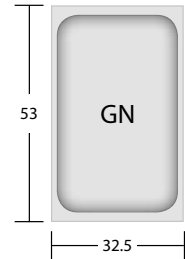
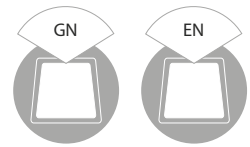


Max overall dimensions
















GN - EN TRAY TROLLEYS - STAINLESS STEEL PANELS ON 2 SIDES


- Stainless steel 2x2cm square tube construction with bolted cross-members
- Stainless steel L-shaped runners
- Suitable for GN or EN trays, depending on model
- Two AISI 304 stainless steel side panels
- Grey rubber ring buffers
- Swivel castors, ø 12.5cm



Item 1470GN-PI

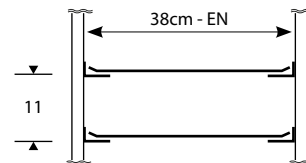
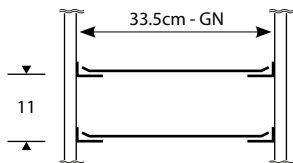
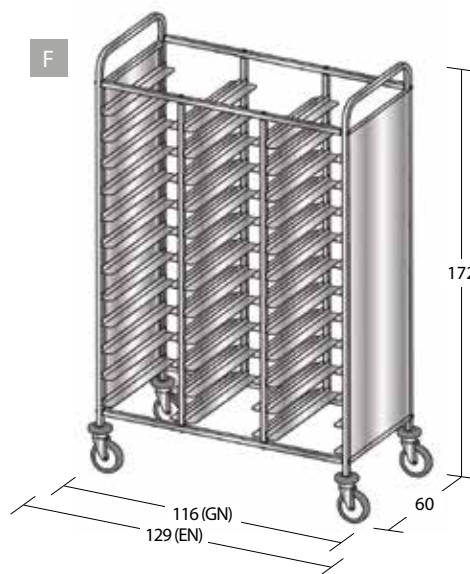
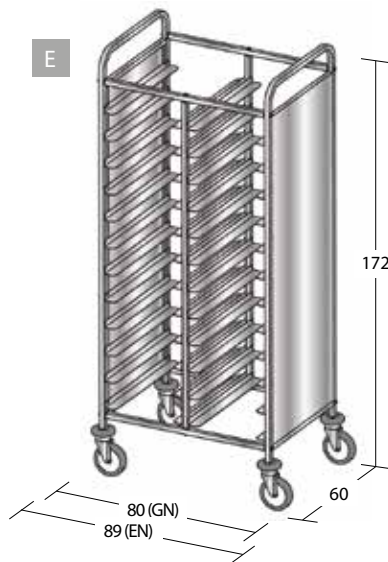
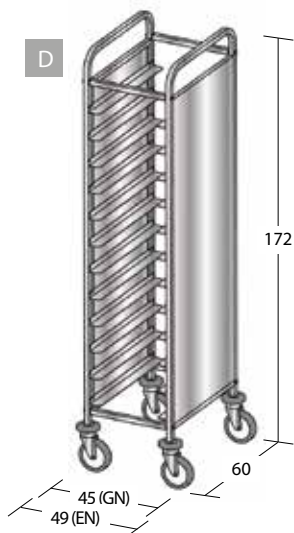
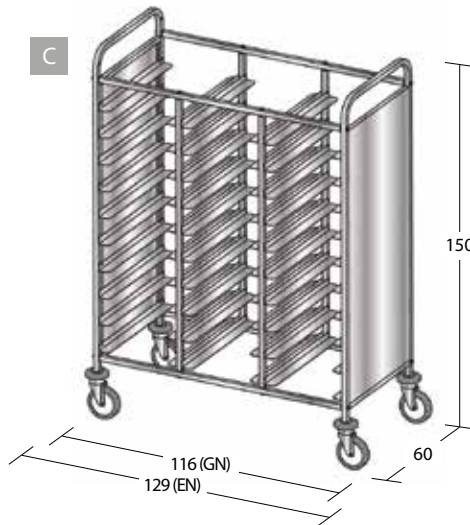
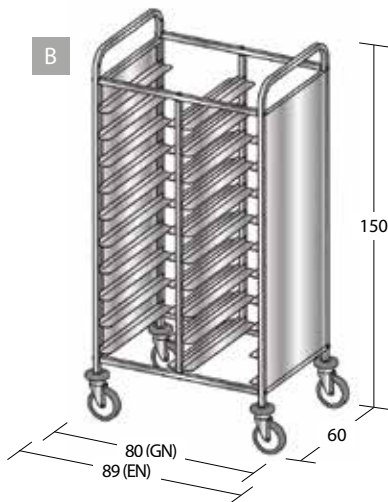
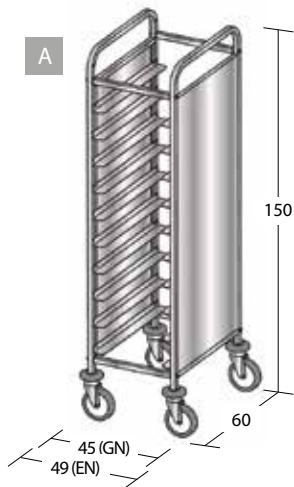
250

Item	Loading capacity	Runners	Shelf spacing (cm)		Max dim. (cm)
1470GN-PI	10 GN		11	A	45x60x150
1472GN-PI	12 GN		11	D	45x60x172
1475GN-PI	20 GN		11	B	80x60x150
1477GN-PI	24 GN		11	E	80x60x172
1480GN-PI	30 GN		11	C	116x60x150
1482GN-PI	36 GN		11	F	116x60x172
1470EN-PI	10 EN		11	A	49x60x150
1472EN-PI	12 EN		11	D	49x60x172
1475EN-PI	20 EN		11	B	89x60x150
1477EN-PI	24 EN		11	E	89x60x172
1480EN-PI	30 EN		11	C	129x60x150
1482EN-PI	36 EN		11	F	129x60x172

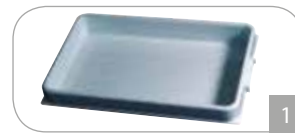
Options		Description	For item
S1200	1	Set with 2 braked castors	All
SE200	2	Set with 4 resilient castors (2 with brake)	All



Max overall dimensions



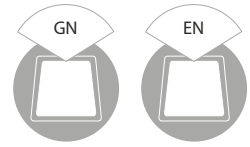
Accessories		Description	For item
A0019	1	Removable ABS container - GN size	All GN
A050GN	2	Removable stainless steel container - GN size	All GN
A050EN	2	Removable stainless steel container - EN size	All EN



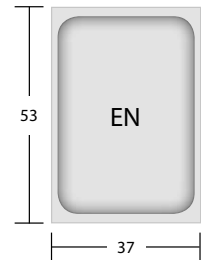
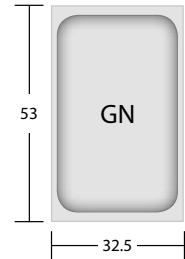
NOTE: each column corresponds to one removable container

GN - EN TRAY TROLLEYS - STAINLESS STEEL PANELS ON 3 SIDES










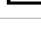
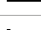
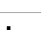
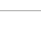
- Stainless steel 2x2cm square tube construction with bolted cross-members
- Stainless steel L-shaped runners
- Suitable for GN or EN trays, depending on model
- AISI 304 stainless steel panels on three sides, top shelf with rails
- Grey rubber ring buffers
- Swivel castors, ø 12.5cm




Item 1476GN



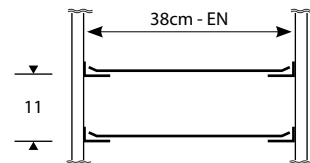
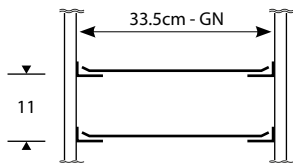
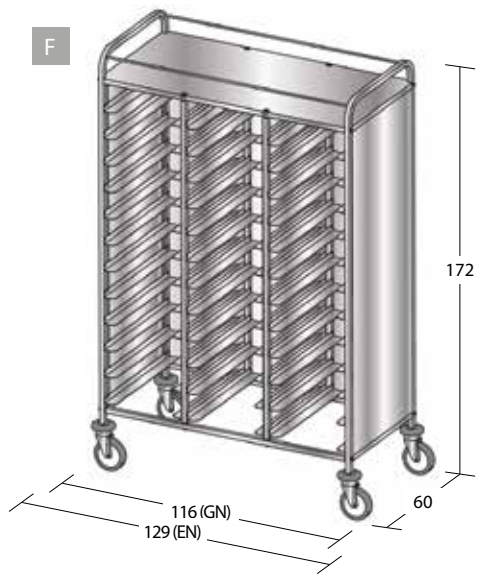
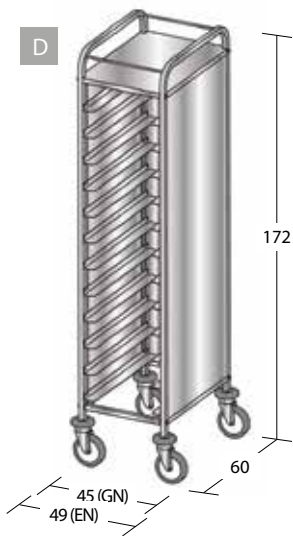
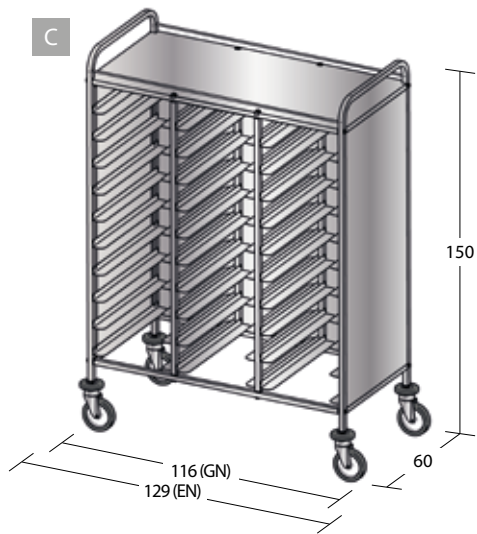
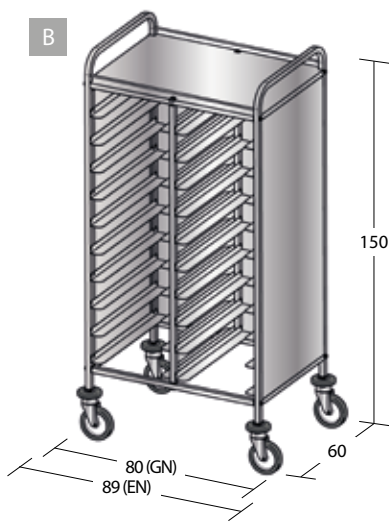
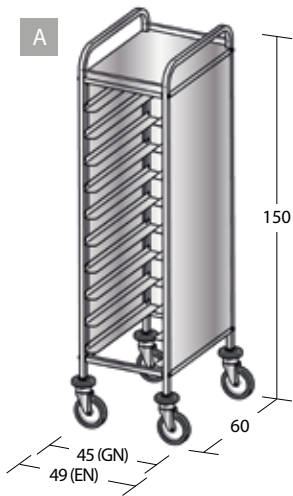
252

Item	Loading capacity	Runners	Shelf spacing (cm)		Max dim. (cm)
1471GN	10 GN		11	A	45x60x150
1474GN	12 GN		11	D	45x60x172
1476GN	20 GN		11	B	80x60x150
1478GN	24 GN		11	E	80x60x172
1481GN	30 GN		11	C	116x60x150
1483GN	36 GN		11	F	116x60x172
1471EN	10 EN		11	A	49x60x150
1474EN	12 EN		11	D	49x60x172
1476EN	20 EN		11	B	89x60x150
1478EN	24 EN		11	E	89x60x172
1481EN	30 EN		11	C	129x60x150
1483EN	36 EN		11	F	129x60x172

Options		Description	For item
S1200	1	Set with 2 braked castors	All
SE200	2	Set with 4 resilient castors (2 with brake)	All

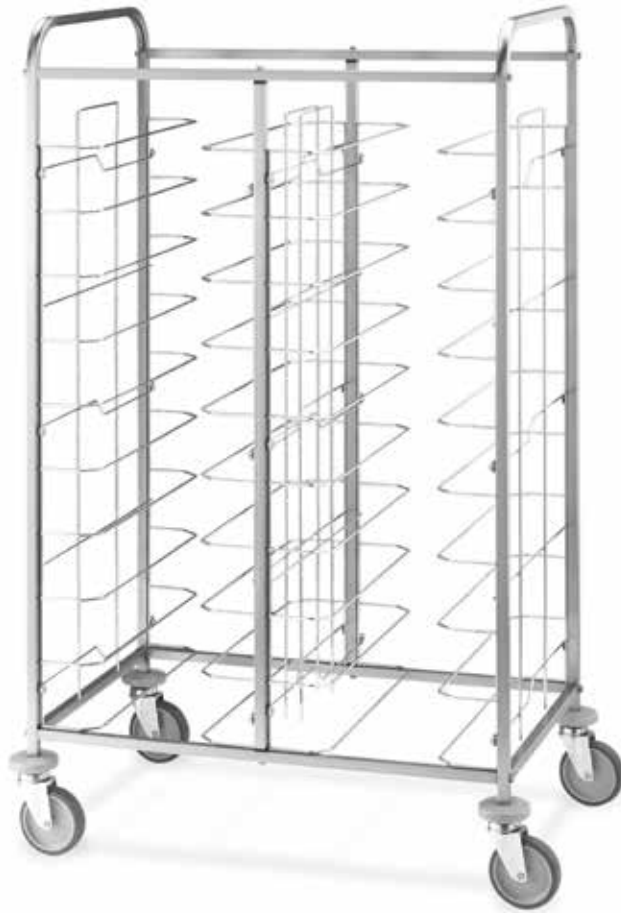
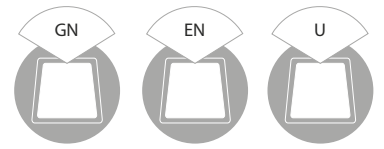


Max overall dimensions

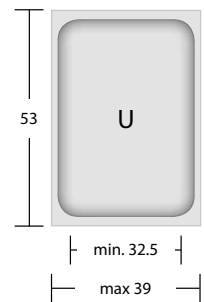
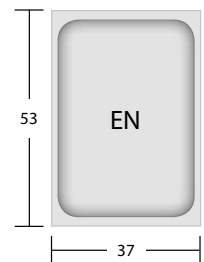
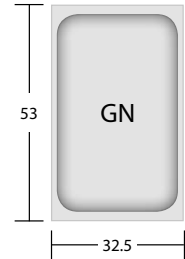


UNIVERSAL TRAY TROLLEYS


- Stainless steel 2x2cm square tube construction with bolted cross-members
- Chrome-plated steel wire supports
- Suitable for trays of max 53x39cm, even in different sizes and shapes
- Grey rubber ring buffers
- Swivel castors, ø 12.5cm




Item 1475U



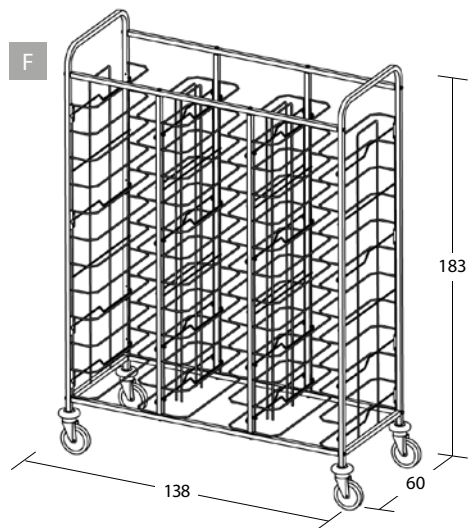
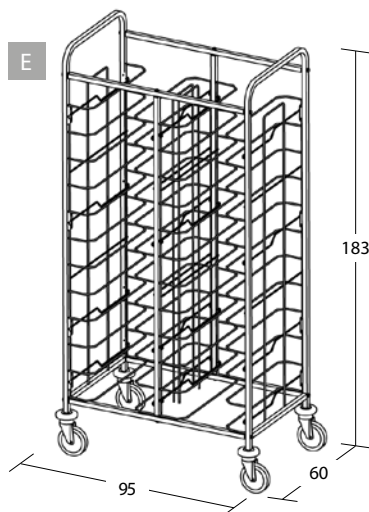
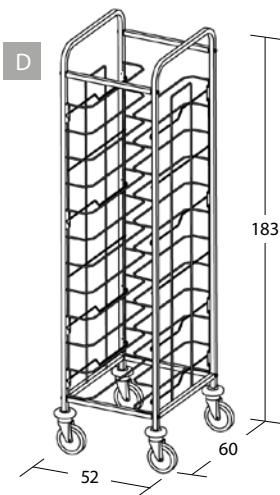
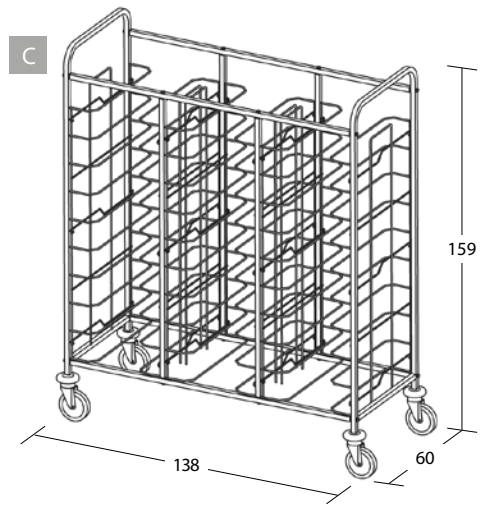
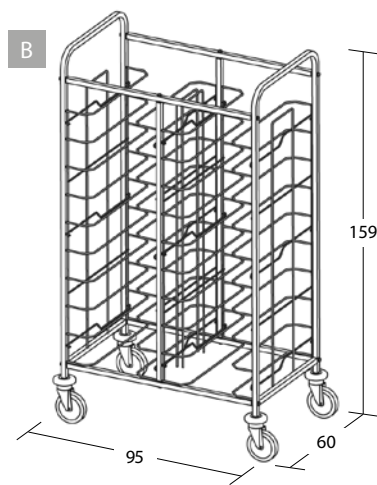
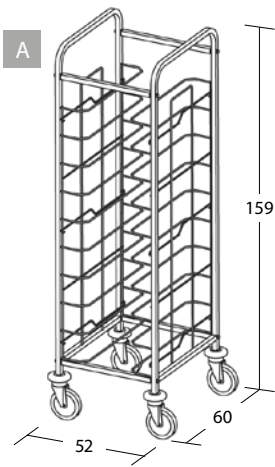
254

Item	Loading capacity	Supports	Shelf spacing (cm)		Max dim. (cm)
1470U	10	wire	11	A	52x60x159
1472U	12	wire	11	D	52x60x183
1475U	20	wire	11	B	95x60x159
1477U	24	wire	11	E	95x60x183
1480U	30	wire	11	C	138x60x159
1482U	36	wire	11	F	138x60x183

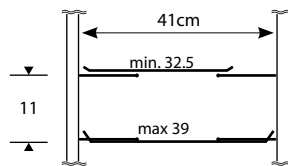
Options		Description	For item
S1200	1	Set with 2 braked castors	All
SE200	2	Set with 4 resilient castors (2 with brake)	All



Max overall dimensions



255



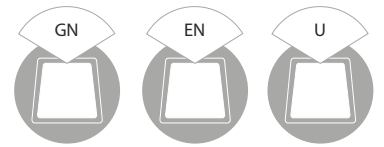
Accessories	Description	For item
A050U	1 Removable stainless steel universal container	All



NOTE: each column corresponds to one removable container

UNIVERSAL TRAY TROLLEYS WITH MELAMINE-FACED PANELS ON 2 SIDES

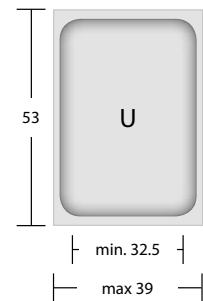
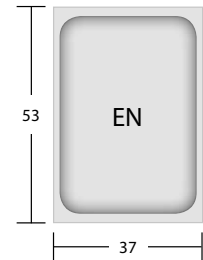
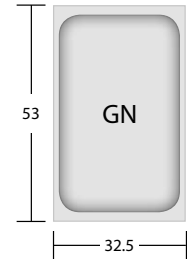
- Stainless steel 2x2cm square tube construction with bolted cross-members
- Chrome-plated steel wire supports
- Suitable for trays of max 53x39cm, even in different sizes and shapes
- Two melamine-faced side panels
- Grey rubber ring buffers
- Swivel castors, ø 12.5cm




Cherry wood




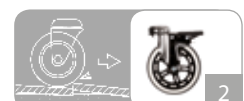
Item 1470U-PN



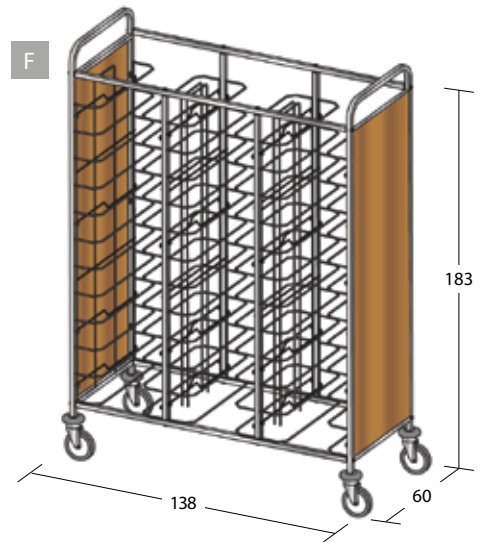
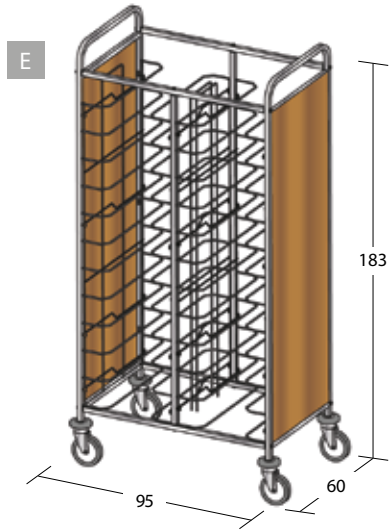
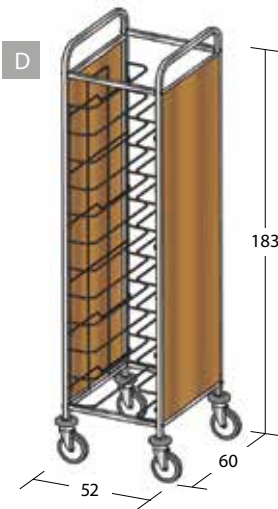
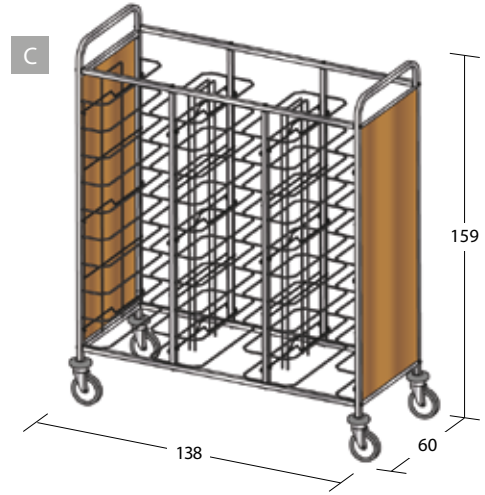
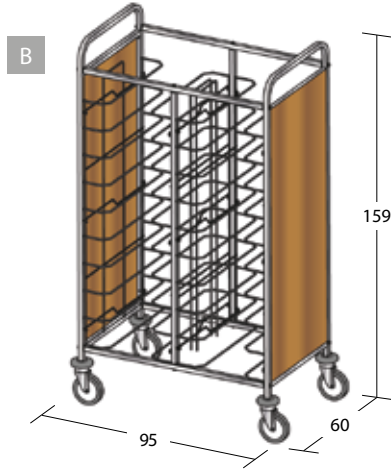
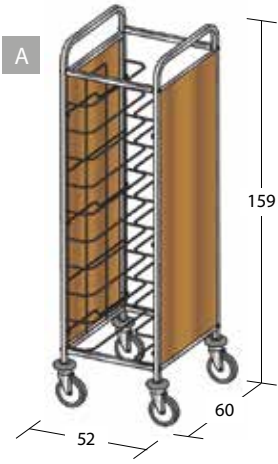
256

Item	Loading capacity	Supports	Shelf spacing (cm)		Max dim. (cm)
1470U-PN	10	wire	11	A	52x60x159
1472U-PN	12	wire	11	D	52x60x183
1475U-PN	20	wire	11	B	95x60x159
1477U-PN	24	wire	11	E	95x60x183
1480U-PN	30	wire	11	C	138x60x159
1482U-PN	36	wire	11	F	138x60x183

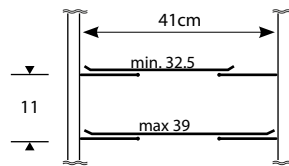
Options		Description	For item
S1200	1	Set with 2 braked castors	All
SE200	2	Set with 4 resilient castors (2 with brake)	All



Max overall dimensions



257



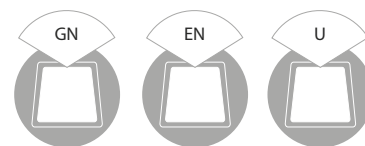
Accessories	Description	For item
A050U	1 Removable stainless steel universal container	All



NOTE: each column corresponds to one removable container

UNIVERSAL TRAY TROLLEYS WITH MELAMINE-FACED PANELS ON 3 SIDES

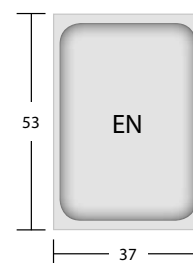
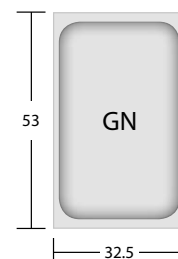
- Stainless steel 2x2cm square tube construction with bolted cross-members
- Chrome-plated steel wire supports
- Suitable for trays of max 53x39cm, even in different sizes and shapes
- Melamine-faced panels on three sides, top shelf with rails
- Grey rubber ring buffers
- Swivel castors, ø 12.5cm




Cherry wood




Item 1471SU



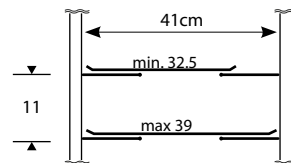
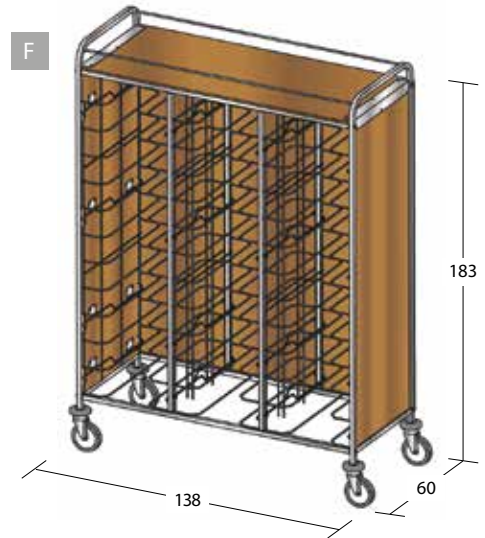
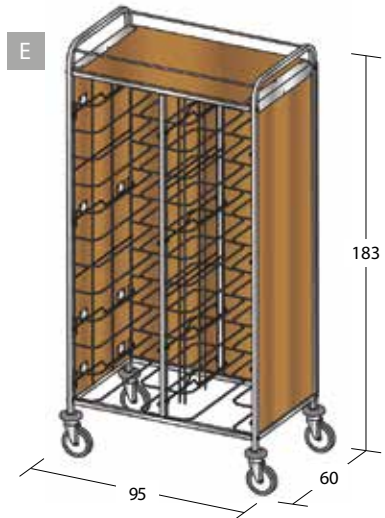
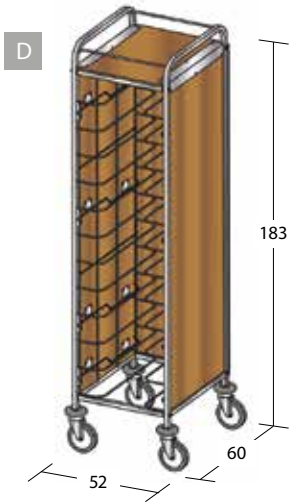
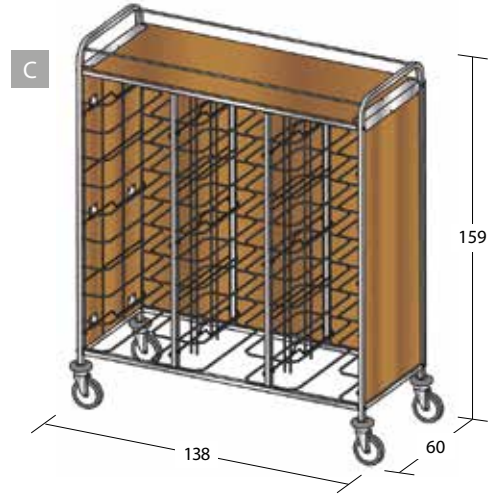
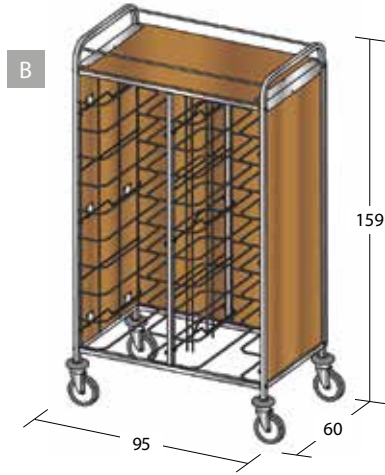
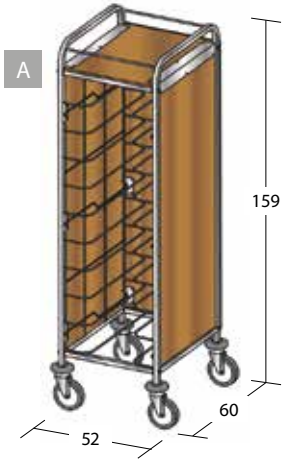
258

Item	Loading capacity	Supports	Shelf spacing (cm)		Max dim. (cm)
1471SU	10	wire	11	A	52x60x159
1474SU	12	wire	11	D	52x60x183
1476SU	20	wire	11	B	95x60x159
1478SU	24	wire	11	E	95x60x183
1481SU	30	wire	11	C	138x60x159
1483SU	36	wire	11	F	138x60x183

Options		Description	For item
S1200	1	Set with 2 braked castors	All
SE200	2	Set with 4 resilient castors (2 with brake)	All

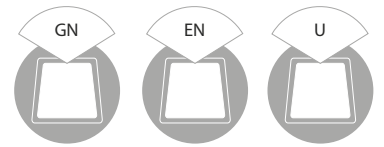


Max overall dimensions

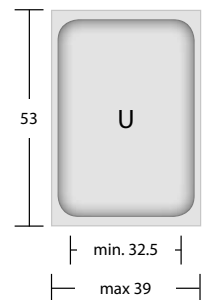
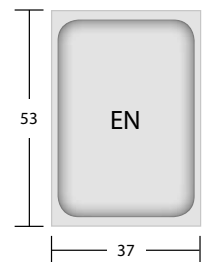
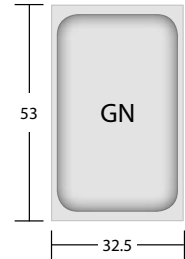


UNIVERSAL TRAY TROLLEYS WITH STAINLESS STEEL PANELS ON 2 SIDES

- Stainless steel 2x2cm square tube construction with bolted cross-members
- Chrome-plated steel wire supports
- Suitable for trays of max 53x39cm, even in different sizes and shapes
- Two AISI 304 stainless steel side panels
- Grey rubber ring buffers
- Swivel castors, ø 12.5cm



Item 1475U-PI



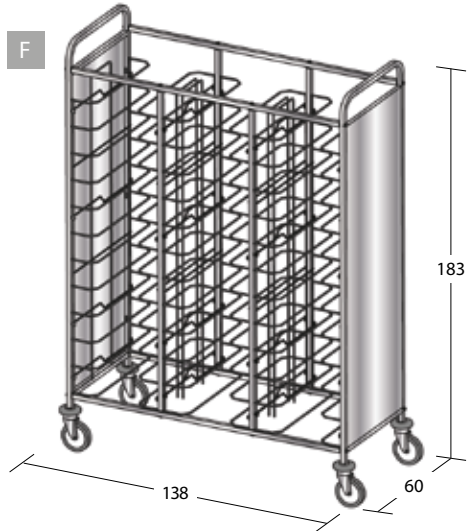
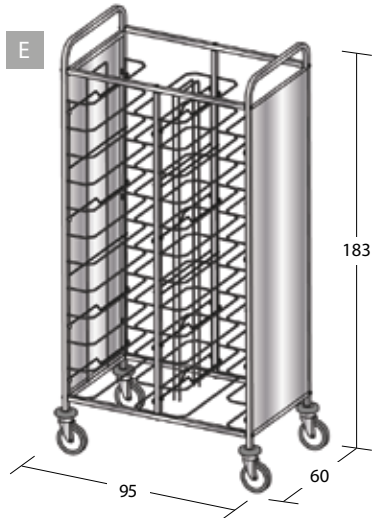
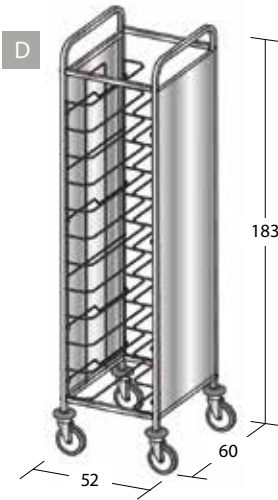
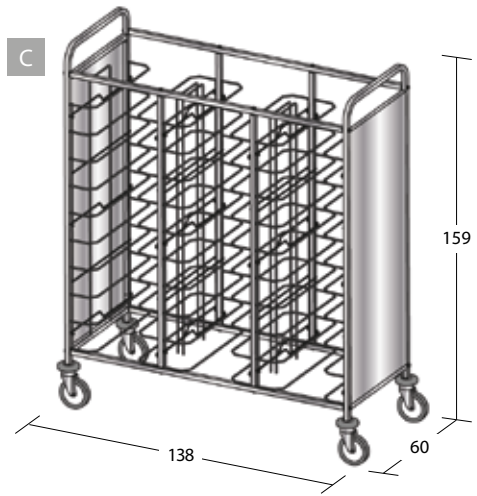
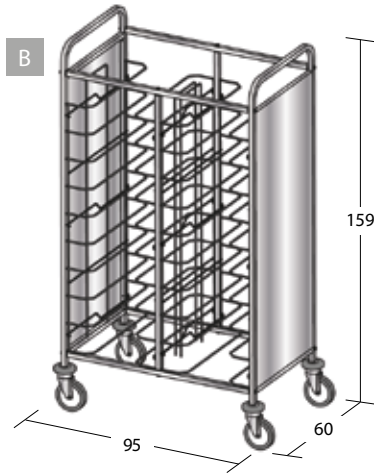
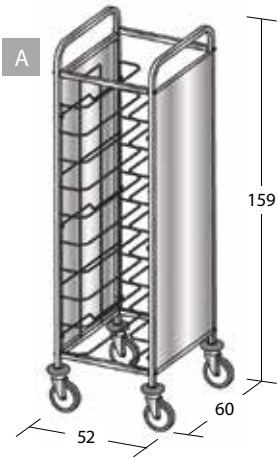
260

Item	Loading capacity	Supports	Shelf spacing (cm)		Max dim. (cm)
1470U-PI	10	wire	11	A	52x60x159
1472U-PI	12	wire	11	D	52x60x183
1475U-PI	20	wire	11	B	95x60x159
1477U-PI	24	wire	11	E	95x60x183
1480U-PI	30	wire	11	C	138x60x159
1482U-PI	36	wire	11	F	138x60x183

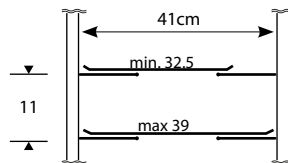
Options		Description	For item
S1200	1	Set with 2 braked castors	All
SE200	2	Set with 4 resilient castors (2 with brake)	All



Max overall dimensions



261



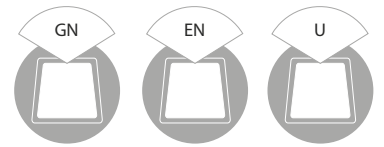
Accessories	Description	For item
A050U	1 Removable stainless steel universal container	All



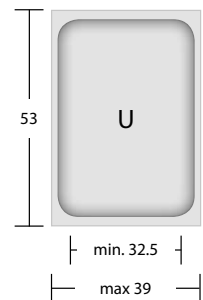
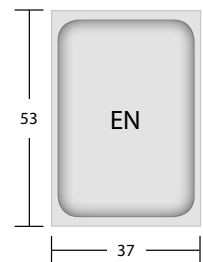
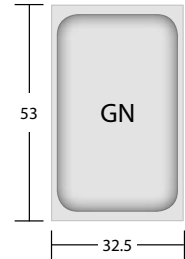
NOTE: each column corresponds to one removable container

UNIVERSAL TRAY TROLLEYS WITH STAINLESS STEEL PANELS ON 3 SIDES


- Stainless steel 2x2cm square tube construction with bolted cross-members
- Chrome-plated steel wire supports
- Suitable for trays of max 53x39cm, even in different sizes and shapes
- AISI 304 stainless steel panels on three sides, top shelf with rails
- Grey rubber ring buffers
- Swivel castors, ø 12.5cm




Item 1476U



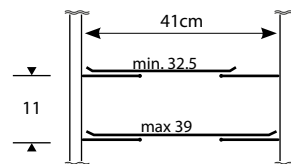
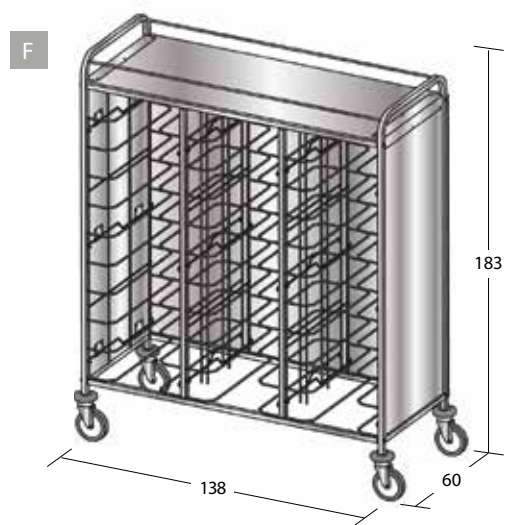
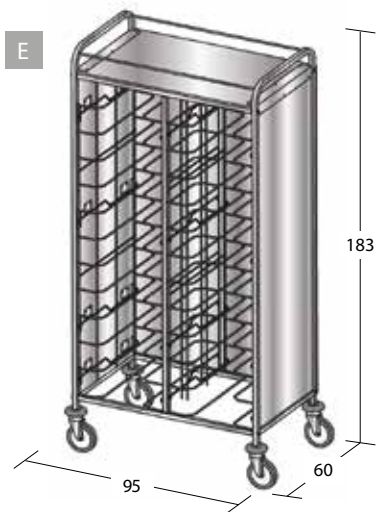
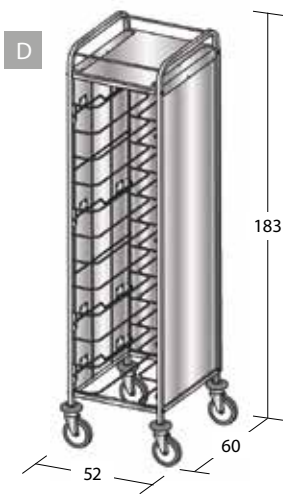
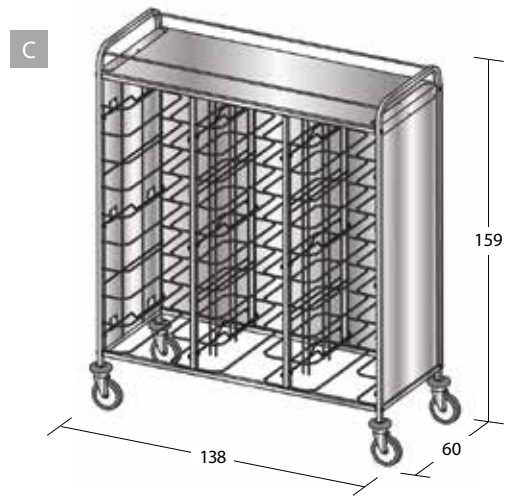
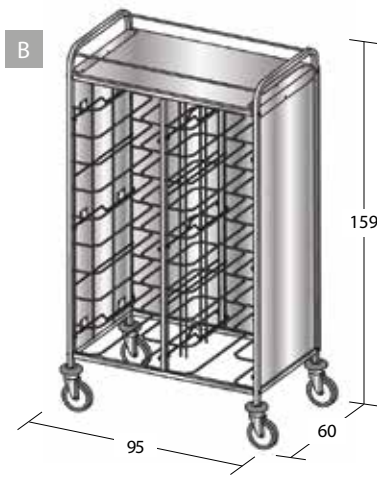
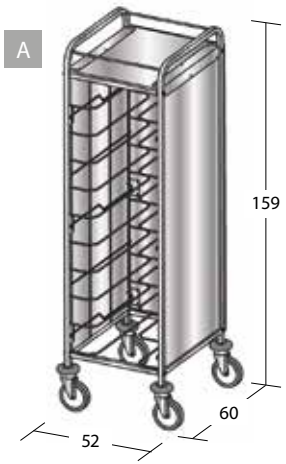
262

Item	Loading capacity	Supports	Shelf spacing (cm)		Max dim. (cm)
1471U	10	wire	11	A	52x60x159
1474U	12	wire	11	D	52x60x183
1476U	20	wire	11	B	95x60x159
1478U	24	wire	11	E	95x60x183
1481U	30	wire	11	C	138x60x159
1483U	36	wire	11	F	138x60x183

Options		Description	For item
S1200	1	Set with 2 braked castors	All
SE200	2	Set with 4 resilient castors (2 with brake)	All

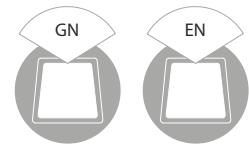


Max overall dimensions



GN - EN TRAY TROLLEYS

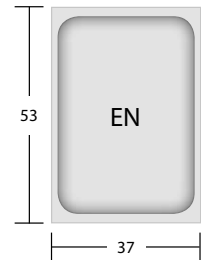
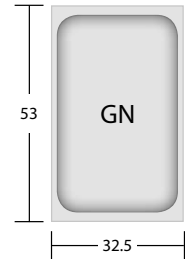
- Stainless steel 2.5x2.5cm square tube construction with bolted cross-members
- Stainless steel L-shaped runners
- Grey rubber ring buffers
- Swivel castors, ø 12.5cm








SUITABLE FOR EURO THERM TRAYS




Item 1494-GN



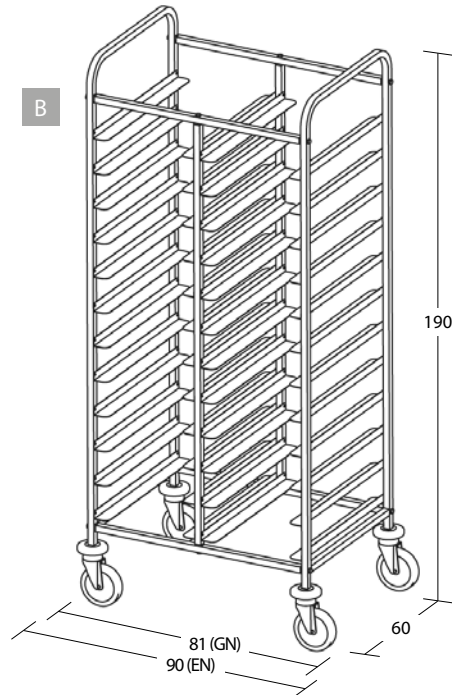
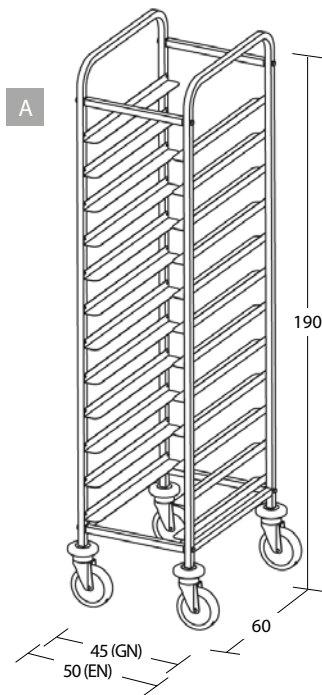
264

Item	Loading capacity	Runners	Shelf spacing (cm)		Max dim. (cm)
1494-GN	12 GN		12	A	45x60x190
1495-GN	24 GN		12	B	81x60x190
1494-EN	12 EN		12	A	50x60x190
1495-EN	24 EN		12	B	90x60x190

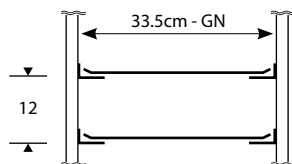
Options		Description	For item
S1220	1	Set with 2 braked castors	All
SE220	2	Set with 4 resilient castors (2 with brake)	All



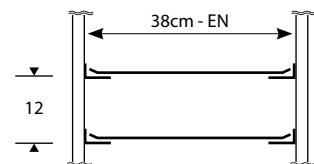
Max overall dimensions



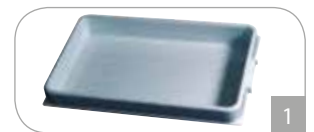
Item 1494-GN, 1495-GN



Item 1494-EN, 1495-EN



Accessories		Description	For item
A0019	1	Removable ABS container - GN size	All GN
A050GN	2	Removable stainless steel container - GN size	All GN
A050EN	2	Removable stainless steel container - EN size	All EN



NOTE: each column corresponds to one removable container

GN CONTAINER TROLLEYS WITH C-SHAPED RUNNERS

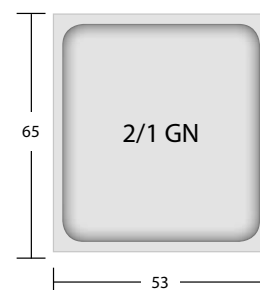
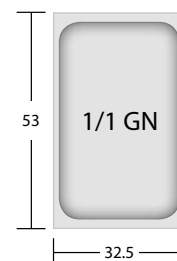
- Stainless steel 2x2cm square tube construction with bolted cross-members
- C-shaped stainless steel sheet runners to prevent overturning
- Suitable for GN containers
- Stainless steel top for items 2073 and 2074
- Grey rubber ring buffers
- Swivel castors - ø 9.5cm for items 2073 and 2074 - or ø 12.5cm for items 2070 and 2072









Item 2074



Item 2072 + S1200

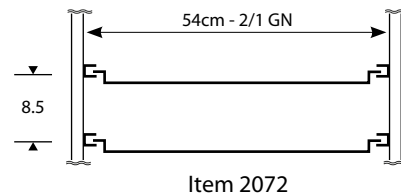
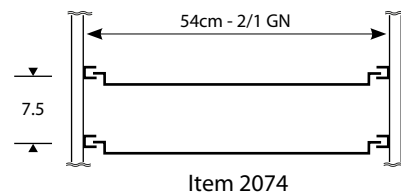
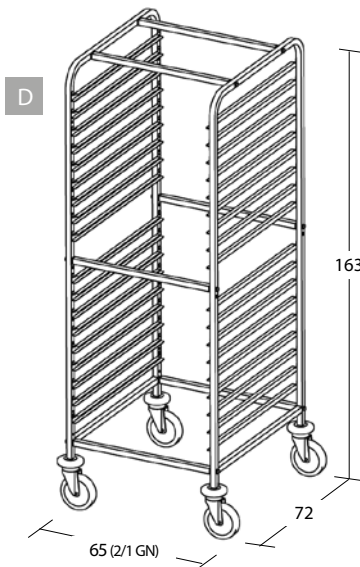
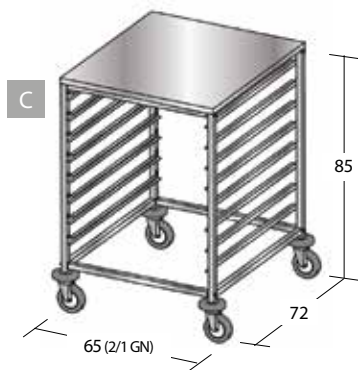
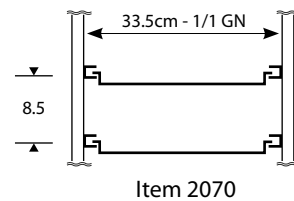
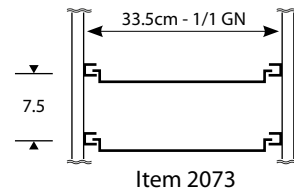
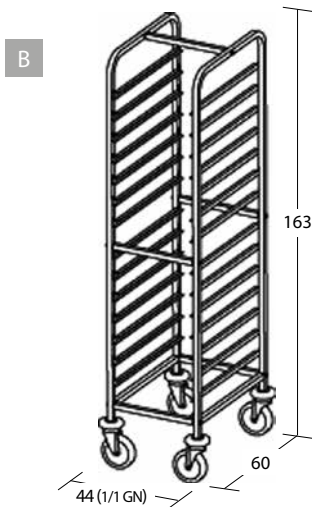
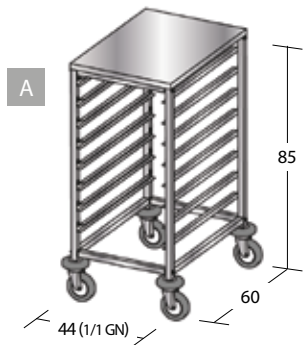


Item	Loading capacity	Runners	Shelf spacing (cm)		Max dim. (cm)
2070	14 1/1 GN		8.5	B	44x60x163
2072	14 2/1 GN		8.5	D	65x72x163
2073	8 1/1 GN		7.5	A	44x60x85
2074	8 2/1 GN		7.5	C	65x72x85

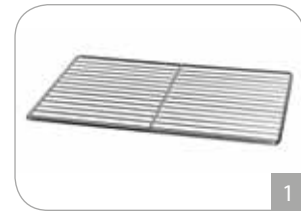
Options		Description	For item
S1200	1	Set with 2 braked castors	2070 - 2072
S1130	1	Set with 2 braked castors	2073 - 2074



Max overall dimensions



Accessories		Description	For item
A0170	1	1/1 GN stainless steel wire shelf	2070 - 2073
A0171	1	2/1 GN stainless steel wire shelf	2072 - 2074

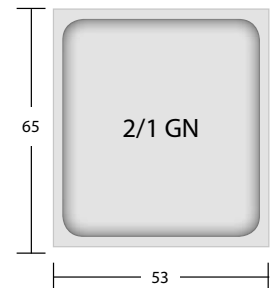
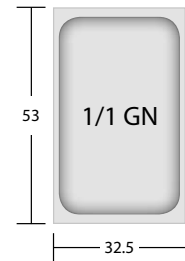







GN CONTAINER TROLLEYS WITH C-SHAPED RUNNERS & STAINLESS STEEL PANELS ON 2 SIDES


- Stainless steel 2x2cm square tube construction with bolted cross-members
- C-shaped stainless steel sheet runners to prevent overturning
- Suitable for GN containers
- Two AISI 304 stainless steel side panels
- Stainless steel top for items 2073-PI and 2074-PI
- Grey rubber ring buffers
- Swivel castors - ø 9.5cm for items 2073-PI and 2074-PI - or ø 12.5cm for items 2070-PI and 2072-PI



Item 2070-PI + S1200

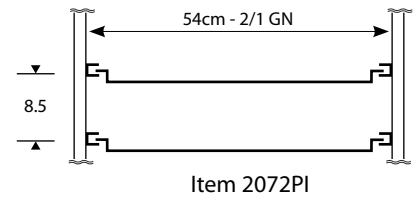
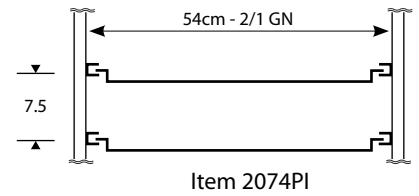
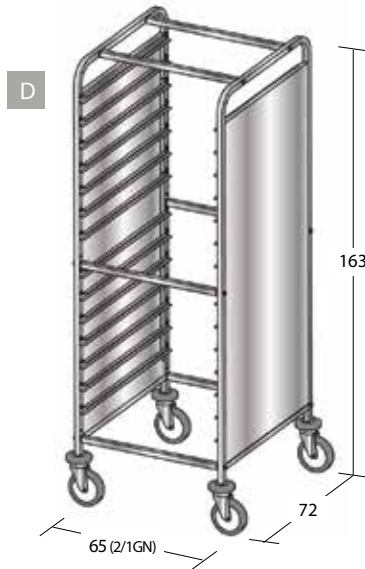
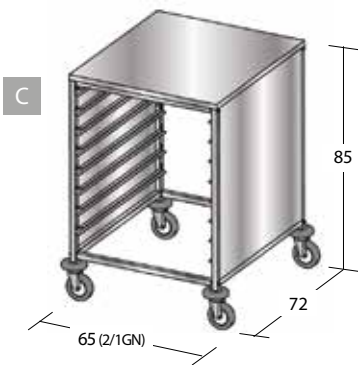
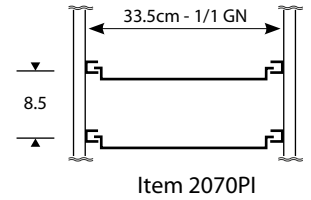
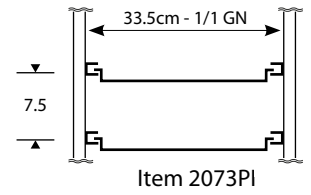
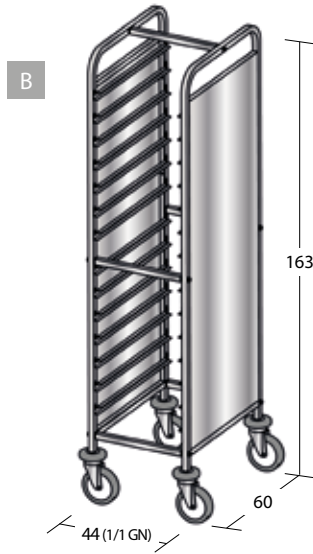
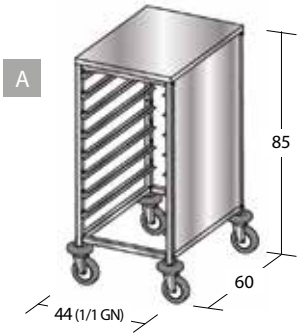


Item	Loading capacity	Runners	Shelf spacing (cm)		Max dim. (cm)
2070PI	14 1/1 GN		8.5	B	44x60x163
2072PI	14 2/1 GN		8.5	D	65x72x163
2073PI	8 1/1 GN		7.5	A	44x60x85
2074PI	8 2/1 GN		7.5	C	65x72x85

Options		Description	For item
S1200	1	Set with 2 braked castors	2070-PI - 2072-PI
S1130	1	Set with 2 braked castors	2073-PI - 2074-PI



Max overall dimensions



Accessories		Description	For item
A0170	1	1/1 GN stainless steel wire shelf	2070-PI - 2073-PI
A0171	1	2/1 GN stainless steel wire shelf	2072-PI - 2074-PI



GN CONTAINER TROLLEYS WITH C-SHAPED RUNNERS

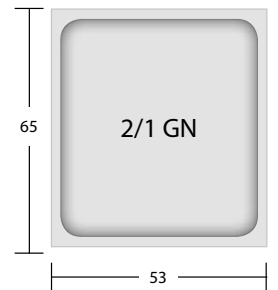
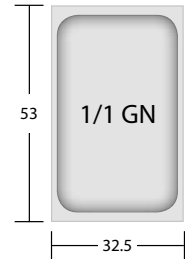
- Stainless steel 2.5x2.5cm square tube construction with bolted cross-members
- C-shaped stainless steel sheet runners with end stops to prevent sliding and overturning
- Suitable for GN containers
- "S" version with welded structure, crosspieces and flaps
- Grey rubber ring buffers
- Swivel castors, ø 12.5cm








Item 2062 + S1220




Item 2060 + S1220



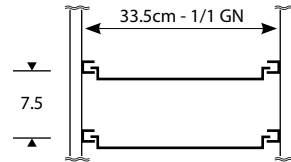
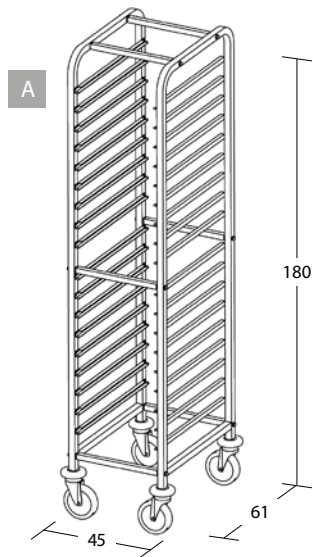
270

Item	Loading capacity	Runners	Shelf spacing (cm)		Max dim. (cm)
2060	18 2/1 GN		7.5	B	65x73x180
2060S	18 2/1 GN		7.5	B	65x73x180
2062	18 1/1 GN		7.5	A	45x61x180
2062S	18 1/1 GN		7.5	A	45x61x180

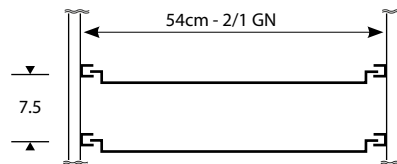
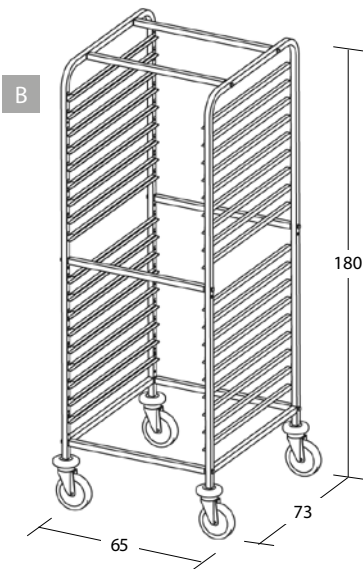
Options		Description	For item
S1220	1	Set with 2 braked castors	All



Max overall dimensions

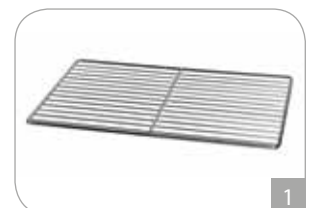


Item 2062 - 2062S



Item 2060 - 2060S

Accessories		Description	For item
A0170	1	1/1 GN stainless steel wire shelf	2062 - 2062S
A0171	1	2/1 GN stainless steel wire shelf	2060 - 2060S



GN CONTAINER TROLLEYS WITH WIRE SUPPORTS

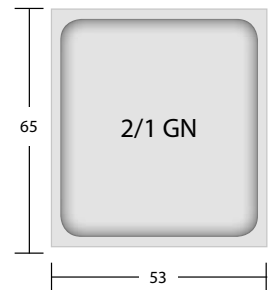
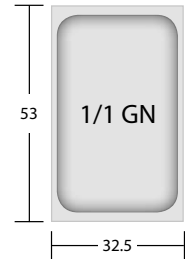
- Stainless steel 2x2cm square tube construction with bolted cross-members
- Stainless steel wire supports
- Suitable for GN trays and containers
- Stainless steel top for items 2080 and 2082
- Grey rubber ring buffers for items 2090 and 2092
- Swivel castors - ø 9.5cm for items 2080 and 2082 - or ø 12.5cm for items 2090 and 2092




Item 2080 + S1130




Item 2092



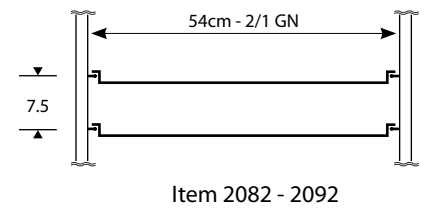
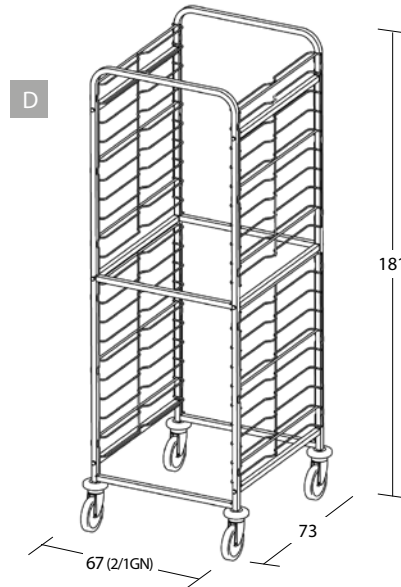
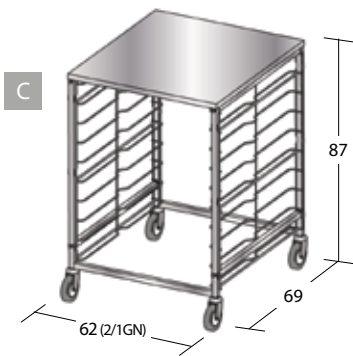
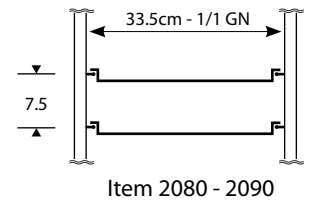
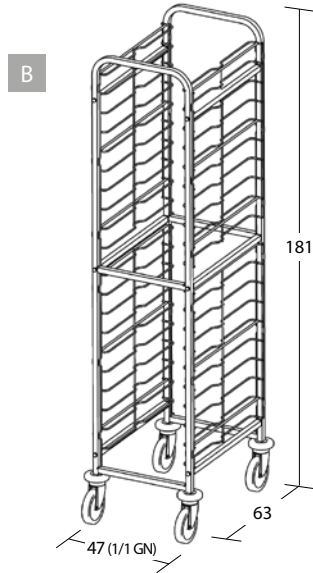
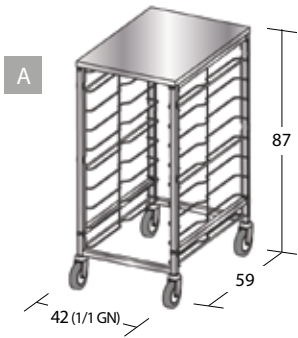
272

Item	Loading capacity	Supports	Shelf spacing (cm)		Max dim. (cm)
2080	9 1/1 GN	wire	7.5	A	42x59x87
2082	9 2/1 GN	wire	7.5	C	62x69x87
2090	20 1/1 GN	wire	7.5	B	47x63x181
2092	20 x 2/1 GN	wire	7.5	D	67x73x181

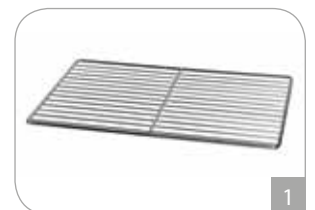
Options		Description	For item
S1130	1	Set with 2 braked castors	2080 - 2082
S1200	1	Set with 2 braked castors	2090 - 2092



Max overall dimensions

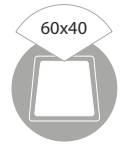


Accessories		Description	For item
A0170	1	1/1 GN stainless steel wire shelf	2080 - 2090
A0171	1	2/1 GN stainless steel wire shelf	2082 - 2092



60x40cm CONTAINER TROLLEYS WITH L-SHAPED RUNNERS

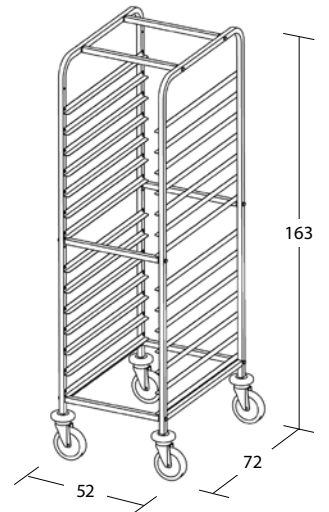
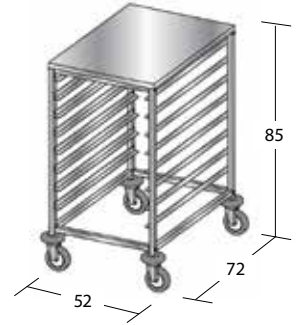
- Stainless steel 2x2cm square tube construction with bolted cross-members
- Stainless steel L-shaped runners
- Suitable for 60x40cm containers
- Stainless steel top for items 2078
- Grey rubber ring buffers
- Swivel castors - \varnothing 9.5cm for items 2078 - or \varnothing 12.5cm for items 2076



Item 2078



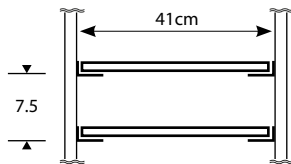
Item 2076 + S1200



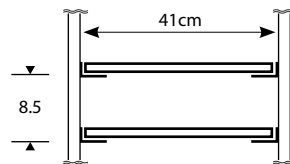
274



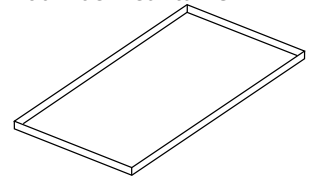
Item 2078



Item 2076



60x40cm container

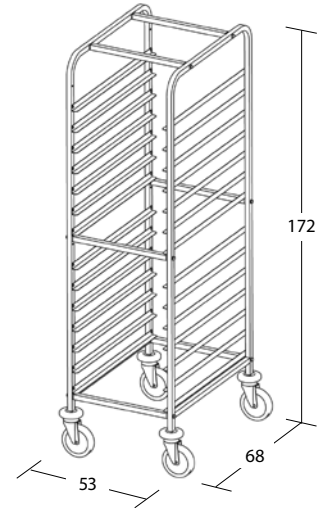
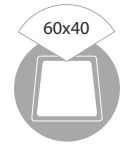


Item	Loading capacity	Runners	Shelf spacing (cm)	Max dim. (cm)
2076	14	L	8.5	52x72x163
2078	8	L	7.5	52x72x85

Options	Description	For item
S1130	1 Set with 2 braked castors	2078
S1200	1 Set with 2 braked castors	2076



- Stainless steel 2.5x2.5cm square tube construction with bolted cross-members
- Stainless steel L-shaped runners with end stops
- Suitable for 60x40cm containers
- "S" version with welded structure, crosspieces and flaps
- Grey rubber ring buffers
- Swivel castors, ø 12.5cm

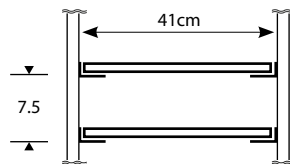


Item 2066 + S1220

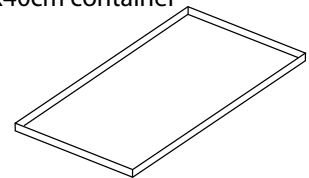
275



Item 2066 - 2066S



60x40cm container



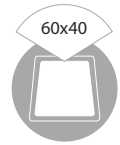
Item	Loading capacity	Runners	Shelf spacing (cm)	Max dim. (cm)
2066	18	L	7.5	53x68x172
2066S	18	L	7.5	53x68x172

Options	Description	For item
S1220	1 Set with 2 braked castors	All

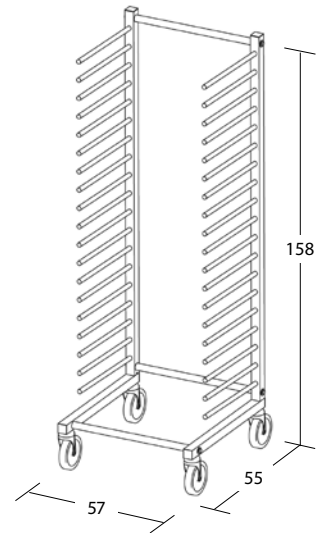


60x40cm CONTAINER TROLLEYS

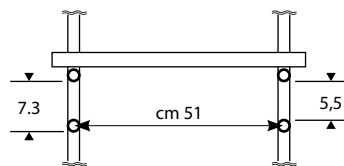
- Stainless steel 3.5x3.5cm square tube construction with bolted cross-members
- Stainless steel tubular supports - \varnothing 1.6cm
- Suitable for 60x40cm containers
- Swivel castors, \varnothing 12.5cm



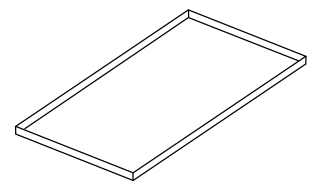
Item 1497



276



60x40cm container



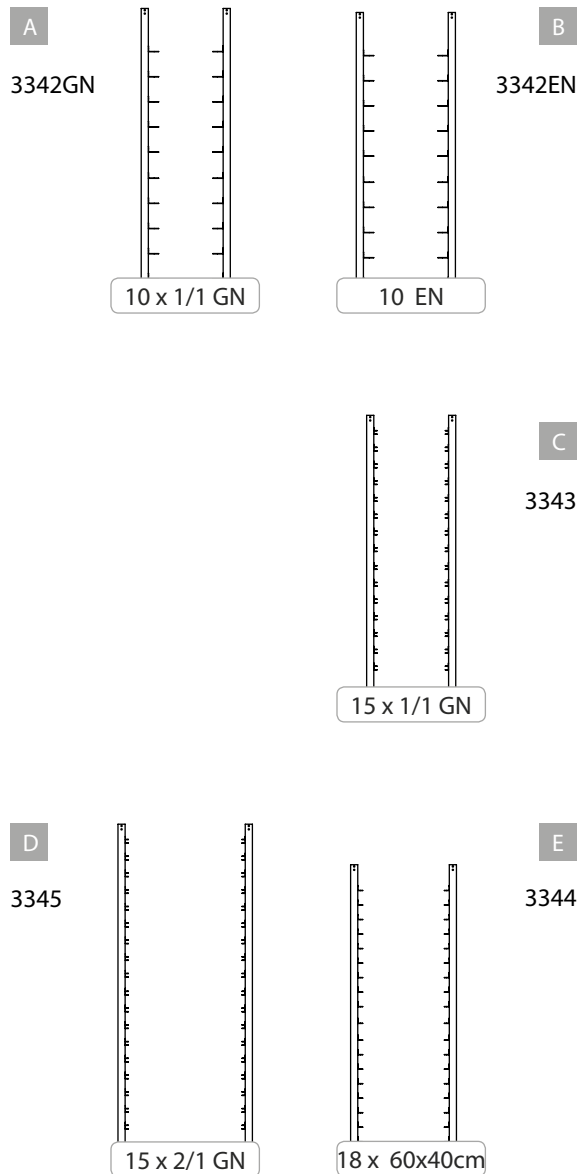
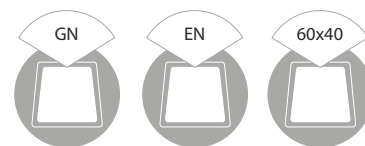
Item	Loading capacity	Supports	Shelf spacing (cm)	Max dim. (cm)
1497	20	tubular	7.3	57x55x158

Options Description For item

S1190	1	Set with 2 braked castors	1497
-------	---	---------------------------	------



- AISI 304 stainless steel sheet construction, brushed finish
- 1 front hinged door opening to 270°
- Snap closure handle
- Two stainless steel tubular push bars with PVC brackets on one side
- C-shaped or L-shaped stainless steel sheet supports for trays/containers of various shapes and sizes
- All round grey non marking rubber bumper
- Swivel wheels - ø 12.5cm (2 with brake)



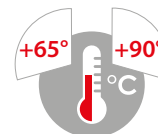
Item	Loading capacity	Runners	Shelf spacing (cm)		Max dim. (cm)
3342GN	10 1/1 GN		11	A	52x65x142
3342EN	10 EN		11	B	56x65x142
3343	15 1/1 GN		7.5	C	52x65x142
3345	15 2/1 GN		7.5	D	72x77x142
3344	18 60x40cm		6.5	E	59x77x145

Options		Description	For item
SE230	1	Set with 4 resilient castors (2 with brake)	All

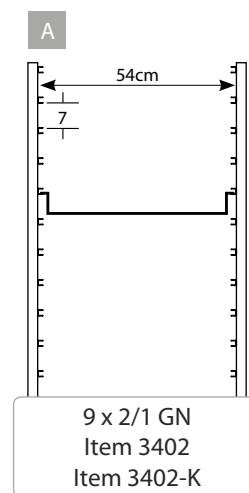


TRAY/PAN MOBILE CUPBOARDS - INSULATED/HEATED VERSION

- Insulated AISI 304 stainless steel sheet construction, brushed finish
- Removable seal
- 1 front hinged door opening to 270°
- Snap closure handle (lock available on request)
- Push bar
- Internal compartment with rounded edges and special supports for 2/1GN-1/1GN containers
- Ventilated heating unit with powered fan and heating element
- Built-in control panel fitted with ON/OFF switch with warning light, digital thermostat-thermometer, and coiled power cable at the back
- Mains supply: 230V, 50/60 Hz, single-phase; power 1600W
- Water container to release moisture inside the cupboard
- Grey non marking rubber bumpers
- Swivel wheels - ø 12.5cm (2 with brake), with grey non marking rubber tread. Resilient wheels for uneven floors or outdoor use available on request



Item 3402-K

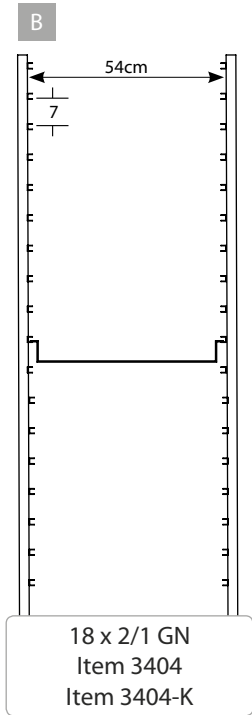


278

Item	Loading capacity	Runners	Shelf spacing (cm)	Watt	📷	Max dim. (cm)
3402	9 x 2/1 GN	☐	7		A	92x72x110
3404	18 x 2/1 GN	☐	7		B	92x72x170
3402-K	9 x 2/1 GN	☐	7	1600	A	92x72x110
3404-K	18 x 2/1 GN	☐	7	1600	B	92x72x170



Item 3404-K



Detail: base with rubber buffers

Options	Description	For item
SE230	1 Set with 4 resilient castors (2 with brake)	All



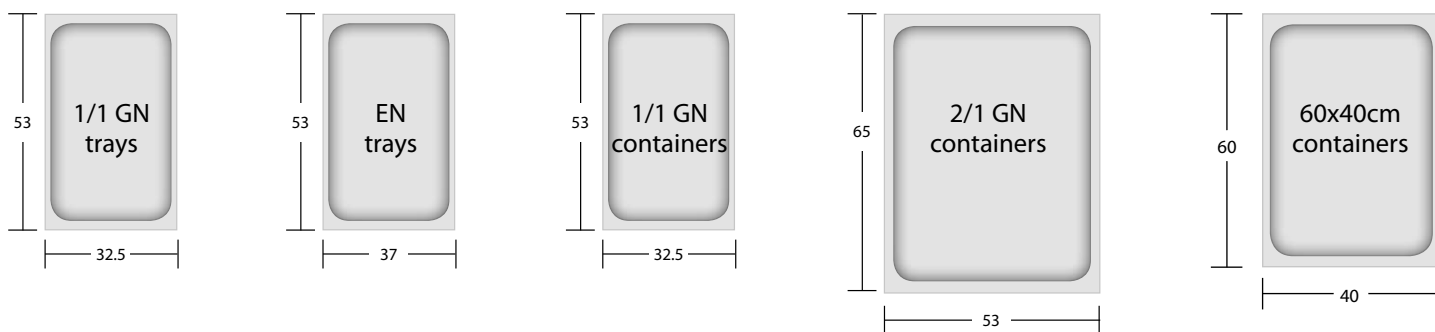
Accessories	Description	For item
A0038	- Door handle with lock	All

A0171	1 2/1GN stainless steel wire rack	All
-------	-----------------------------------	-----



PRESENTATION OF TRAY/PAN MOBILE CUPBOARDS

- The range includes a number of models characterized by different heights (150cm, 190cm), capacities (GN-EN-universal trays, GN-60x40 containers) and runners (L-shaped, C-shaped and universal)
- The fully welded construction is made from AISI 304 stainless steel sheet with brushed finish. Single skin, insulated double skin (series DP) and heated (series K) versions available.
- 1 or 2 double skin front doors with rubber seal, opening to 270°
- Snap closure handle (lock available on request)
- Two push bars on both sides that can be used even with the doors open
- Internal compartment fitted with runners for pans and trays of different shapes depending on model
- All round grey non marking rubber bumper
- Two fixed and two braked swivel castors, \varnothing 16cm, with galvanized brackets; grey non marking rubber tread rolling on bearings. Resilient castors for uneven floors or outdoor use available on request



280



Stainless steel tube handles with PVC supports that can be used also with open doors



Runners for pans and trays of different shapes



All round non marking grey rubber bumper



Double skinned front doors with seal, opening to 270°



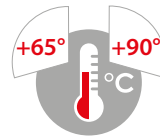
Two fixed and two braked swivel castors, rolling on bearings

INSULATED HEATED VERSIONS:

- Insulated construction made from expanded polyurethane panels fitted between the steel sheet walls
- Thermometer
- Ventilated heating unit consisting of an AISI 304 stainless steel sheet casing containing a powered fan and heating element, built-in control panel fitted with ON/OFF switch with warning light, thermostat, operation warning light and coiled power cable at the back
- The heating unit can be pulled out for ease of maintenance (the cupboard can be washed with a water jet after disassembling the electrical parts)
- Mains supply: 230V, 50/60 Hz, single-phase; power 1600W (1600W x 2 with double doors)
- Water trough to release moisture inside the cupboard



Thermometer



Humidifier



Note: the heating unit is fitted inside one single casing and can be pulled out with no need for special tools or specialized technicians to intervene. Easy to replace in case of malfunction. Please contact your dealer to order a new or regenerated unit. The latter solution is less expensive as the defective unit shall be returned and only the replaced parts + transport fees will be charged.



Removable heating unit, complete with power cable



Compartment with no heating unit ready for cleaning



Control panel

TRAY/PAN MOBILE CUPBOARDS - AMBIENT/INSULATED VERSION

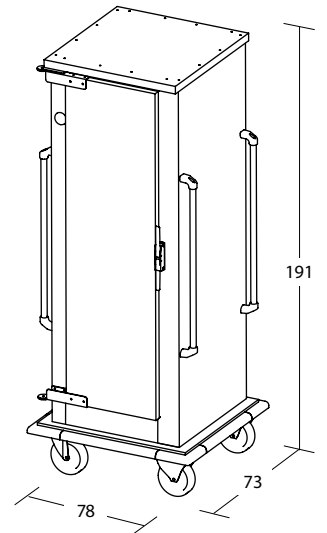
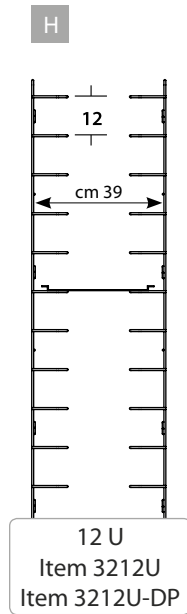
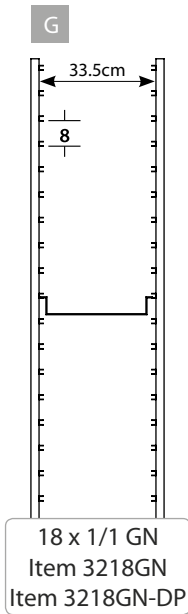
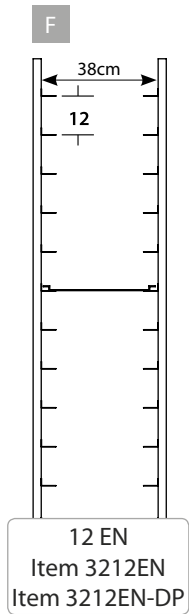
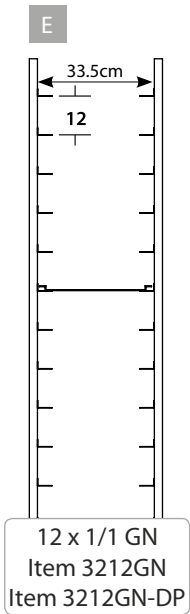
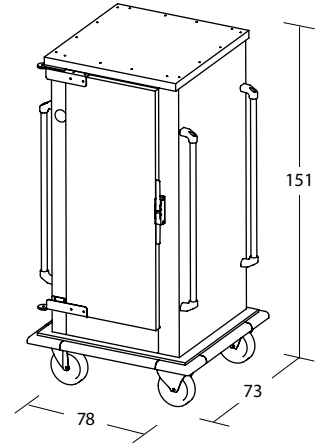
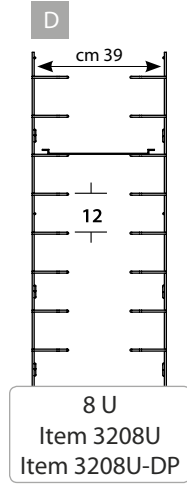
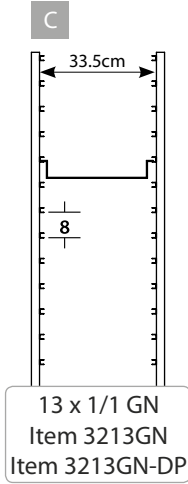
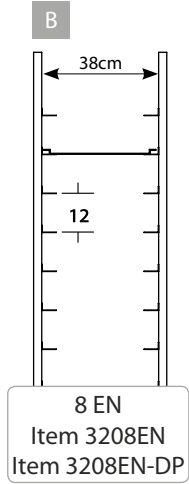
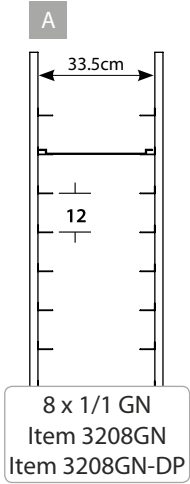
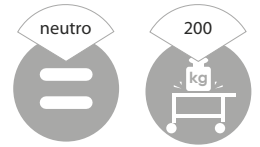
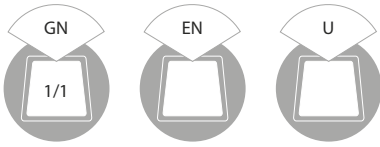
- Fully welded AISI 304 stainless steel sheet construction, brushed finish; single skin, or double skin insulated with expanded polyurethane panels fitted between the steel sheet walls (series DP)
- 1 double skin front door with rubber seal, opening to 270°
- Snap closure handle (lock available on request)
- Two push bars on both sides that can be used even with the doors open
- Internal compartment fitted with runners for pans and trays of different shapes depending on model
- Thermometer in the double skin version
- All round grey non marking rubber bumper
- Two fixed and two braked swivel castors, ø 16cm, with galvanized brackets; grey non marking rubber tread rolling on bearings. Resilient castors for uneven floors or outdoor use available on request



282

Item	Loading capacity	Runners	Shelf spacing (cm)		Max dim. (cm)
3208GN	8 1/1 GN		12	A	78x73x151
3208EN	8 EN		12	B	78x73x151
3213GN	13 1/1 GN		8	C	78x73x151
3208U	8 U	Universal	12	D	78x73x151
3212GN	12 1/1 GN		12	E	78x73x191
3212EN	12 EN		12	F	78x73x191
3218 GN	18 1/1 GN		8	G	78x73x191
3212U	12 U	Universal	12	H	78x73x191
3208GN-DP	8 1/1 GN		12	A	78x73x151
3208EN-DP	8 EN		12	B	78x73x151
3213GN-DP	13 1/1 GN		8	C	78x73x151
3208U-DP	8 U	Universal	12	D	78x73x151
3212GN-DP	12 1/1 GN		12	E	78x73x191
3212EN-DP	12 EN		12	F	78x73x191
3218GN-DP	18 1/1 GN		8	G	78x73x191
3212U-DP	12 U	Universal	12	H	78x73x191

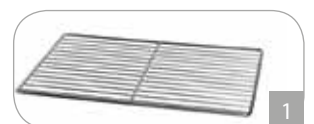
TRAY/PAN MOBILE CUPBOARDS - AMBIENT/INSULATED VERSION



283

Options	Description	For item
SE260	1 Set with 4 resilient castors (2 with brake)	All

Accessories	Description	For item
A0038	- Closing handle with lock	All
A0170	1 1/1 GN stainless steel wire rack	All GN










TRAY/PAN MOBILE CUPBOARDS - HEATED VERSION

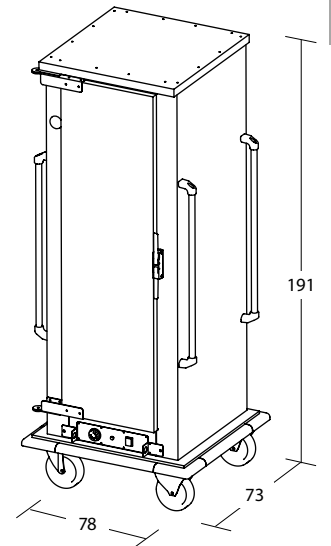
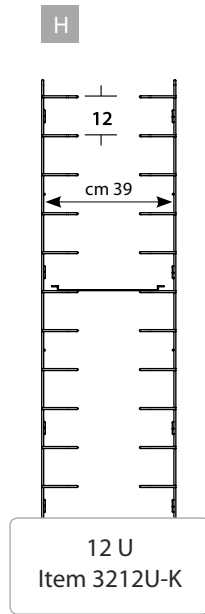
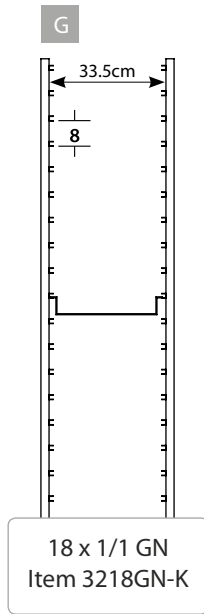
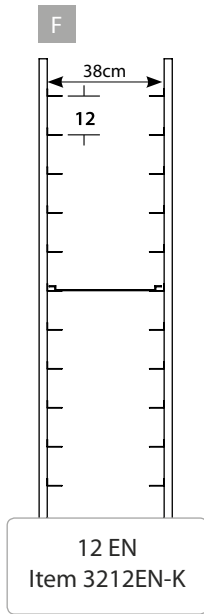
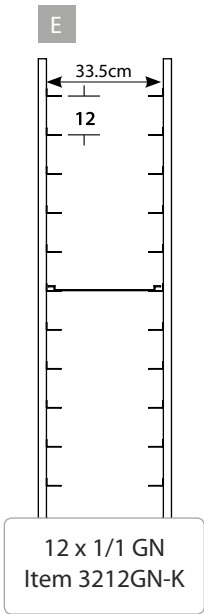
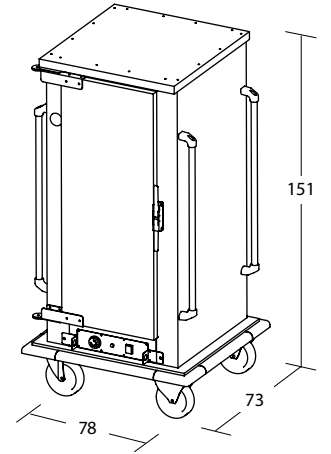
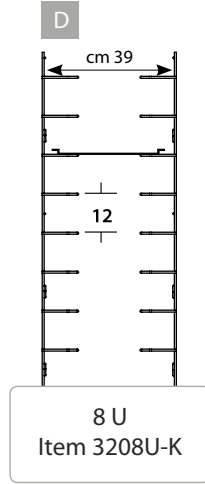
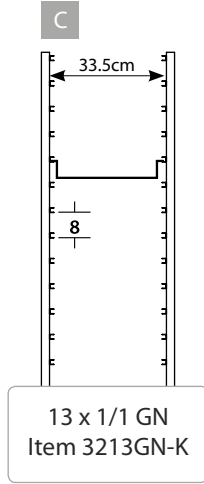
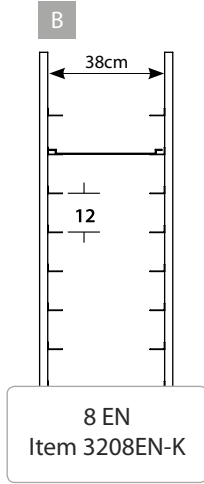
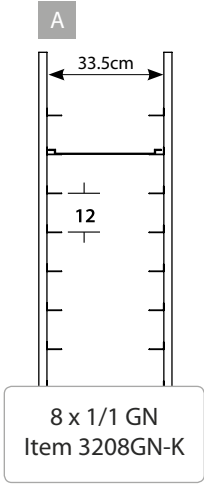
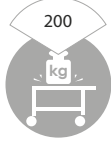
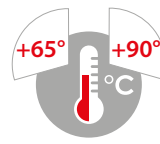
- Fully welded AISI 304 stainless steel sheet construction, brushed finish; double skin insulated with expanded polyurethane panels fitted between the steel sheet walls
- 1 double skin front door with rubber seal opening to 270°
- Snap closure handle (lock available on request)
- Two push bars on both sides that can be used even with the doors open
- Internal compartment fitted with runners for pans and trays of different shapes depending on model
- Thermometer
- Ventilated heating unit consisting of an AISI 304 stainless steel sheet casing containing a powered fan and heating element, built-in control panel fitted with ON/OFF switch with warning light, thermostat, operation warning light and coiled power cable at the back
- The heating unit can be pulled out for ease of maintenance (the cupboard can be washed with a water jet after disassembling the electrical parts)
- Mains supply: 230V, 50/60 Hz, single-phase; power 1600W
- Water trough to release moisture inside the cupboard
- All round grey non marking rubber bumper
- Two fixed and two braked swivel castors, \varnothing 16cm, with galvanized brackets; grey non marking rubber tread rolling on bearings. Resilient castors for uneven floors or outdoor use available on request



284

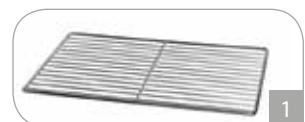
Item	Loading capacity	Runners	Shelf spacing (cm)	Watt		Max dim. (cm)
3208GN-K	8 1/1 GN		12	1600	A	78x73x151
3208EN-K	8 EN		12	1600	B	78x73x151
3213GN-K	13 1/1 GN		8	1600	C	78x73x151
3208U-K	8 U	Universal	12	1600	D	78x73x151
3212GN-K	12 1/1 GN		12	1600	E	78x73x191
3212EN-K	12 EN		12	1600	F	78x73x191
3218GN-K	18 1/1 GN		8	1600	G	78x73x191
3212U-K	12 U	Universal	12	1600	H	78x73x191

TRAY/PAN MOBILE CUPBOARDS - HEATED VERSION



285

Options	Description	For item
SE260	1 Set with 4 resilient castors (2 with brake)	All
Accessories	Description	For item
A0038	- Closing handle with lock	All
A0170	1 1/1 GN stainless steel wire rack	All GN
















TRAY/PAN MOBILE CUPBOARDS - AMBIENT/INSULATED VERSION

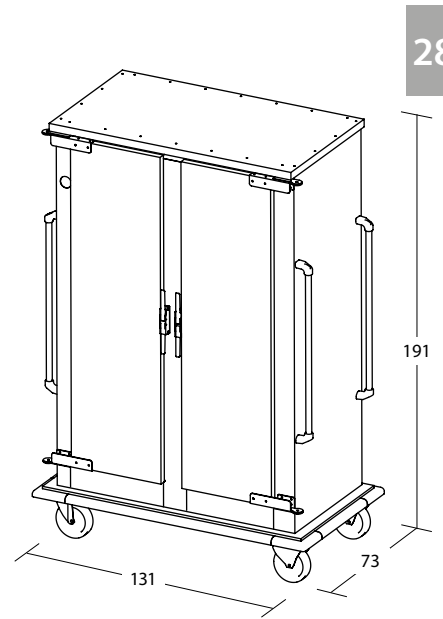
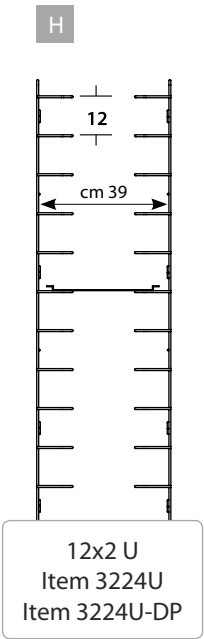
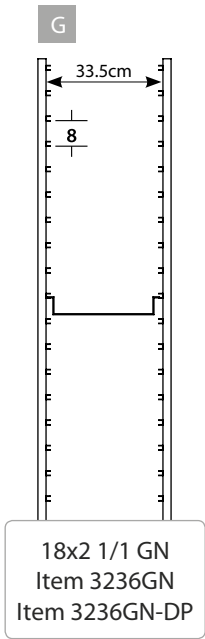
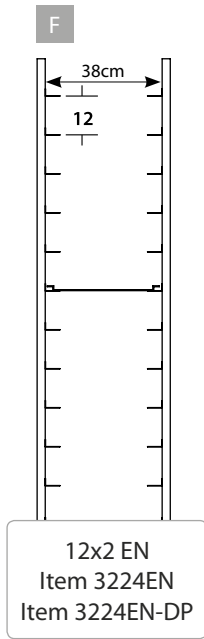
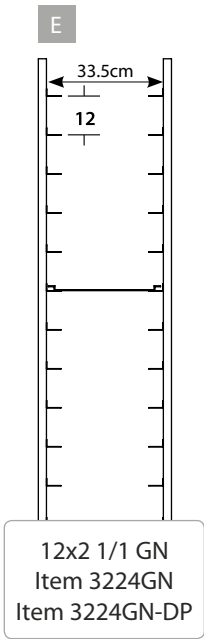
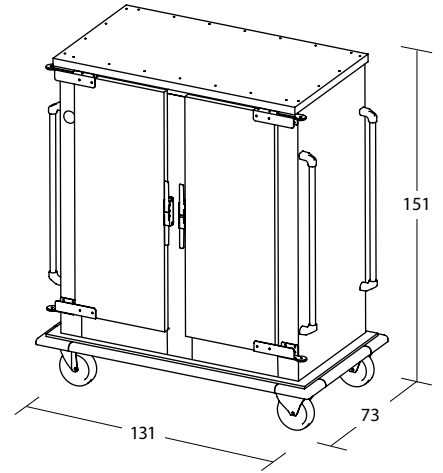
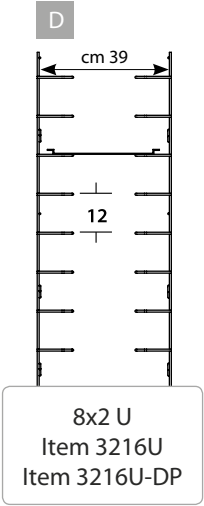
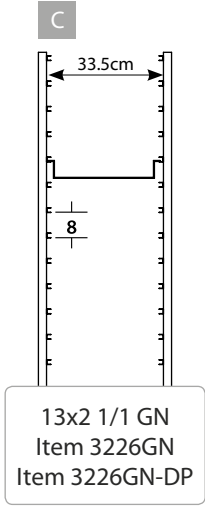
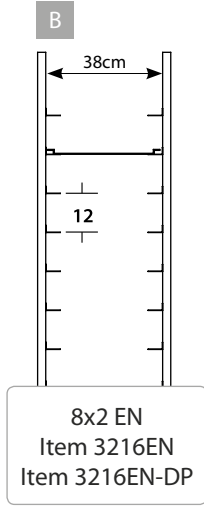
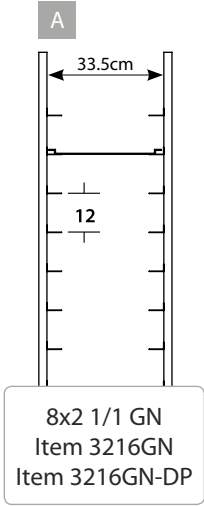
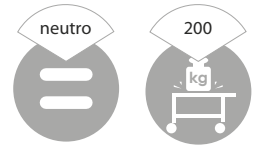
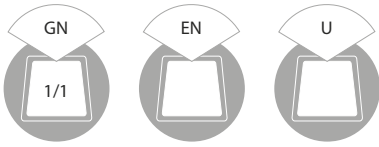
- Fully welded AISI 304 stainless steel sheet construction, brushed finish; single skin, or double skin insulated with expanded polyurethane panels fitted between the steel sheet walls (series DP)
- 2 double skin front doors with rubber seal, opening to 270°
- Snap closure handles (lock available on request)
- Two push bars on both sides that can be used even with the doors open
- Internal compartment fitted with runners for pans and trays of different shapes depending on model
- Thermometer in the double skin version
- All round grey non marking rubber bumper
- Two fixed and two braked swivel castors, ø 16cm, with galvanized brackets; grey non marking rubber tread rolling on bearings. Resilient castors for uneven floors or outdoor use available on request



286

Item	Loading capacity	Runners	Shelf spacing (cm)		Max dim. (cm)
3216GN	8x2 1/1 GN		12	A	131x73x151
3216EN	8x2 EN		12	B	131x73x151
3226GN	13x2 1/1 GN		8	C	131x73x151
3216U	8x2 U	Universal	12	D	131x73x151
3224GN	12x2 1/1 GN		12	E	131x73x191
3224EN	12x2 EN		12	F	131x73x191
3236GN	18x2 1/1 GN		8	G	131x73x191
3224U	12x2 U	Universal	12	H	131x73x191
3216GN-DP	8x2 1/1 GN		12	A	131x73x151
3216EN-DP	8x2 EN		12	B	131x73x151
3226GN-DP	13x2 1/1 GN		8	C	131x73x151
3216U-DP	8x2 U	Universal	12	D	131x73x151
3224GN-DP	12x2 1/1 GN		12	E	131x73x191
3224EN-DP	12x2 EN		12	F	131x73x191
3236GN-DP	18x2 1/1 GN		8	G	131x73x191
3224U-DP	12x2 U	Universal	12	H	131x73x191

TRAY/PAN MOBILE CUPBOARDS - AMBIENT/INSULATED VERSION



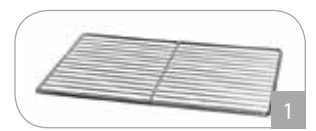
287

Options	Description	For item
SE260	1 Set with 4 resilient castors (2 with brake)	All



Accessories	Description	For item
A0038	- Closing handle with lock	All

A0170	1 1/1 GN stainless steel wire rack	All GN
-------	------------------------------------	--------



TRAY/PAN MOBILE CUPBOARDS - HEATED VERSION

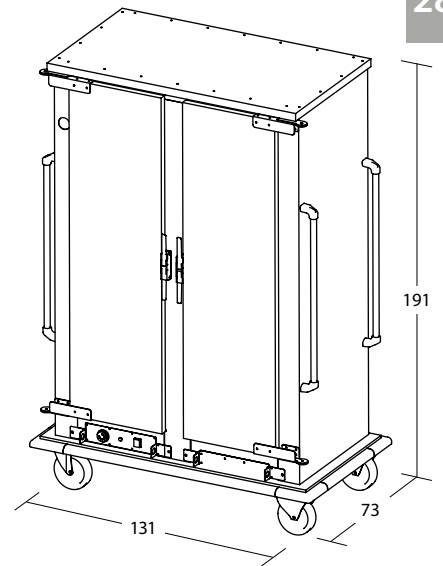
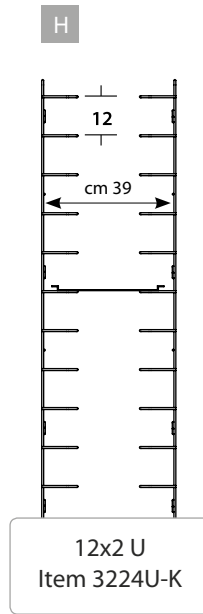
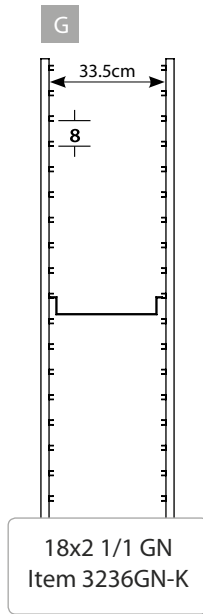
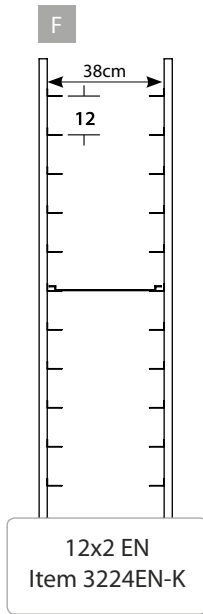
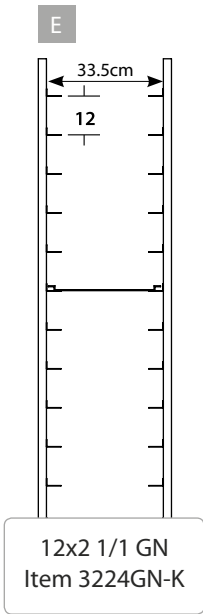
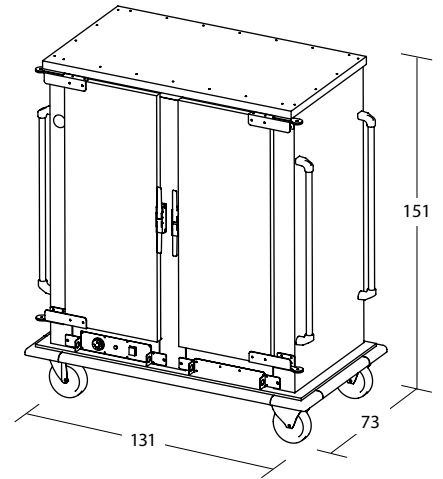
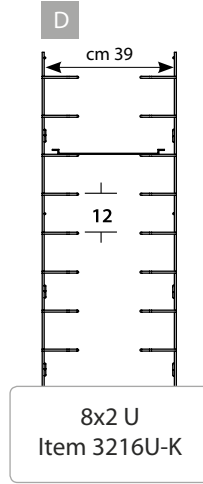
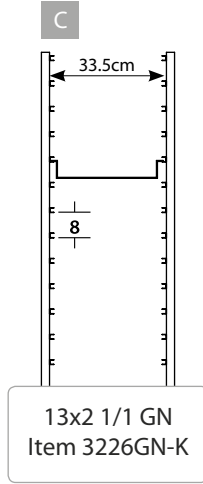
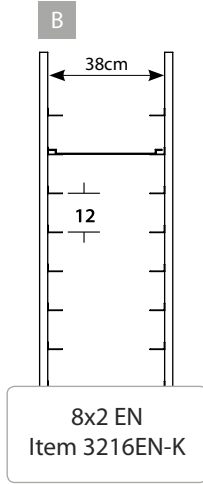
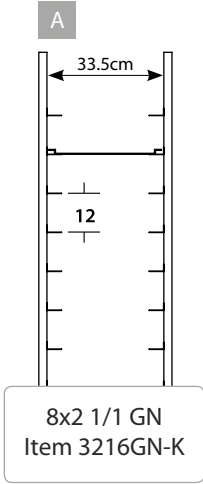
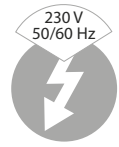
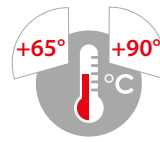
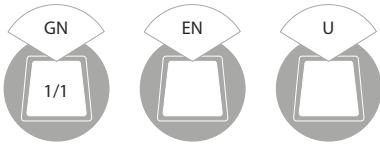
- Fully welded AISI 304 stainless steel sheet construction, brushed finish; double skin insulated with expanded polyurethane panels fitted between the steel sheet walls
- 2 double skin front doors with rubber seal opening to 270°
- Snap closure handles (lock available on request)
- Two push bars on both sides that can be used even with the doors open
- Internal compartment fitted with runners for pans and trays of different shapes depending on model
- Thermometer
- Ventilated heating unit consisting of an AISI 304 stainless steel sheet casing containing a powered fan and heating element, built-in control panel fitted with ON/OFF switch with warning light, thermostat, operation warning light and coiled power cable at the back
- The heating unit can be pulled out for ease of maintenance (the cupboard can be washed with a water jet after disassembling the electrical parts)
- Mains supply: 230V, 50/60 Hz, single-phase; power 1600W x 2
- Water trough to release moisture inside the cupboard
- All round grey non marking rubber bumper
- Two fixed and two braked swivel castors, ø 16cm, with galvanized brackets; grey non marking rubber tread rolling on bearings. Resilient castors for uneven floors or outdoor use available on request



288

Item	Loading capacity	Runners	Shelf spacing (cm)	Watt	📷	Max dim. (cm)
3216GN-K	8x2 1/1 GN	└┘	12	3200	A	131x73x151
3216EN-K	8x2 EN	└┘	12	3200	B	131x73x151
3226GN-K	13x2 1/1 GN	└┘	8	3200	C	131x73x151
3216U-K	8x2 U	Universal	12	3200	D	131x73x151
3224GN-K	12x2 1/1 GN	└┘	12	3200	E	131x73x191
3224EN-K	12x2 EN	└┘	12	3200	F	131x73x191
3236GN-K	18x2 1/1 GN	└┘	8	3200	G	131x73x191
3224U-K	12x2 U	Universal	12	3200	H	131x73x191

TRAY/PAN MOBILE CUPBOARDS - HEATED VERSION



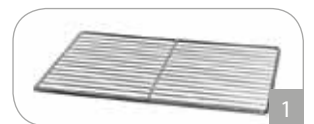
289

Options	Description	For item
SE260	1 Set with 4 resilient castors (2 with brake)	All



Accessories	Description	For item
A0038	- Closing handle with lock	All

A0170	1 1/1 GN stainless steel wire rack	All GN
-------	------------------------------------	--------







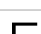




TRAY/PAN MOBILE CUPBOARDS - AMBIENT/INSULATED VERSION

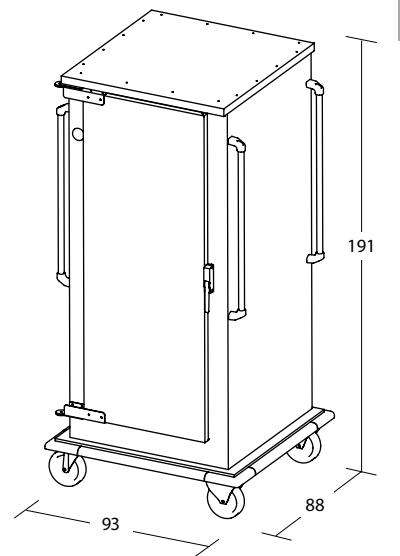
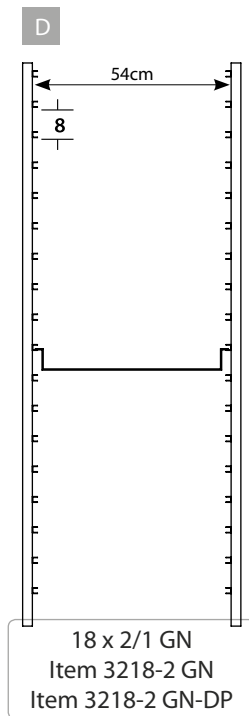
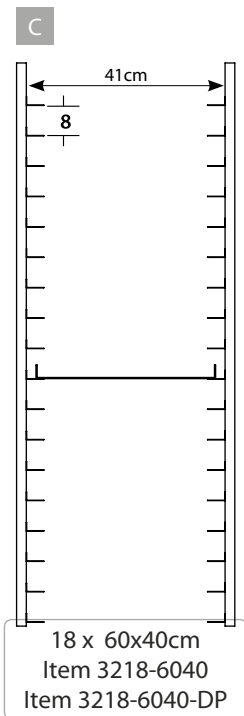
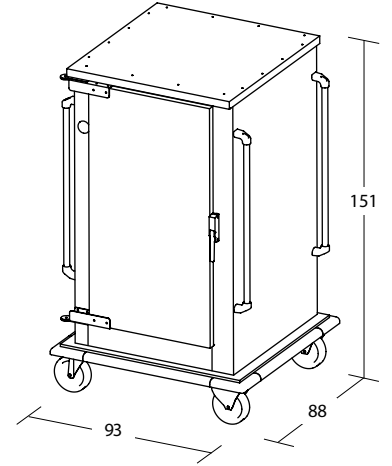
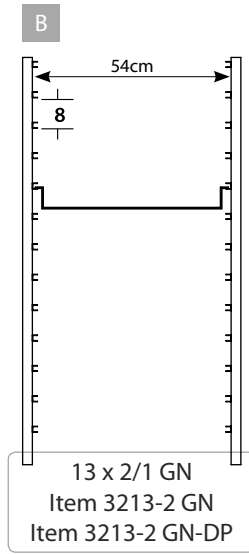
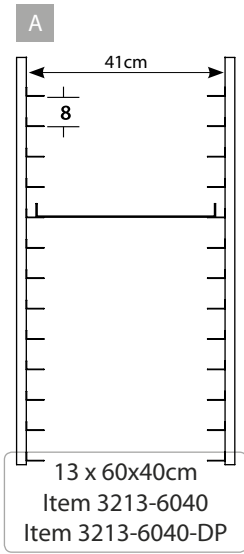
- Fully welded AISI 304 stainless steel sheet construction, brushed finish; single skin, or double skin insulated with expanded polyurethane panels fitted between the steel sheet walls (series DP)
- 1 double skin front door with rubber seal opening to 270°
- Snap closure handle (lock available on request)
- Two push bars on both sides that can be used even with the doors open
- Internal compartment fitted with runners for pans and trays of different shapes depending on model
- Thermometer in the double skin version
- All round grey non marking rubber bumper
- Two fixed and two braked swivel castors, ø 16cm, with galvanized brackets; grey non marking rubber tread rolling on bearings. Resilient castors for uneven floors or outdoor use available on request



290

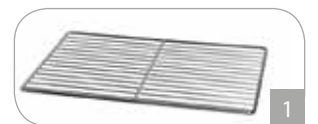
Item	Loading capacity	Runners	Shelf spacing (cm)		Max dim. (cm)
3213-6040	13 60x40cm		8	A	93x88x151
3213-2GN	13 2/1 GN		8	B	93x88x151
3218-6040	18 60x40cm		8	C	93x88x191
3218-2GN	18 2/1 GN		8	D	93x88x191
3213-6040-DP	13 60x40cm		8	A	93x88x151
3213-2GN-DP	13 2/1 GN		8	B	93x88x151
3218-6040-DP	18 60x40cm		8	C	93x88x191
3218-2GN-DP	18 2/1 GN		8	D	93x88x191

TRAY/PAN MOBILE CUPBOARDS - AMBIENT/INSULATED VERSION



291

Options	Description	For item
SE260	1 Set with 4 resilient castors (2 with brake)	All
Accessories	Description	For item
A0038	- Closing handle with lock	All
A0171	1 2/1GN stainless steel wire rack	All GN








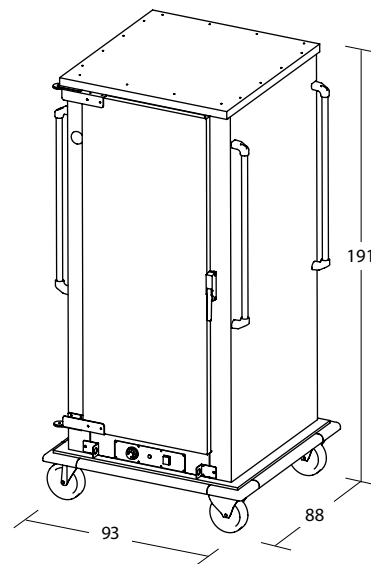
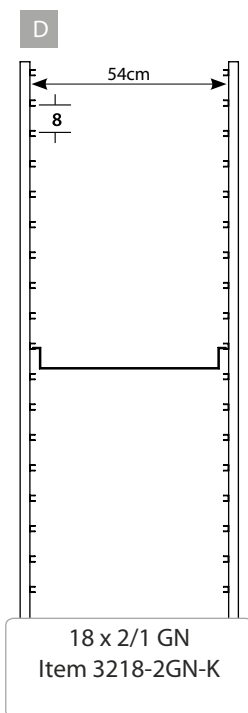
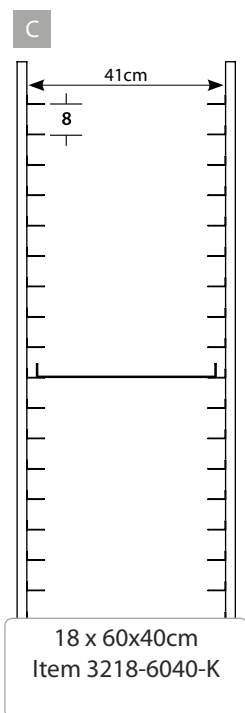
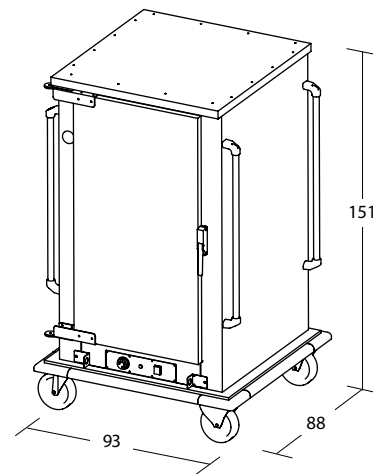
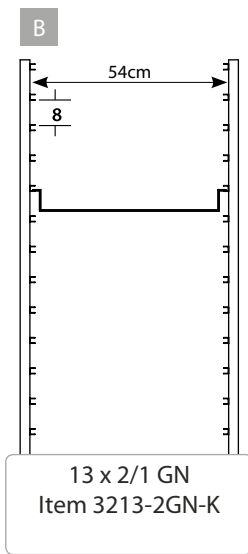
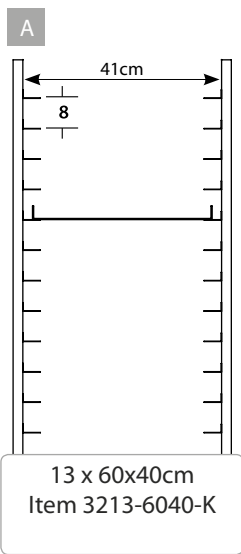
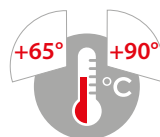
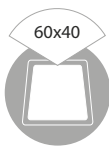
TRAY/PAN MOBILE CUPBOARDS - HEATED VERSION

- Fully welded AISI 304 stainless steel sheet construction, brushed finish; double skin insulated with expanded polyurethane panels fitted between the steel sheet walls
- 1 double skin front doors with rubber seal opening to 270°
- Snap closure handles (lock available on request)
- Two push bars on both sides that can be used even with the doors open
- Internal compartment fitted with runners for pans and trays of different shapes depending on model
- Thermometer
- Ventilated heating unit consisting of an AISI 304 stainless steel sheet casing containing a powered fan and heating element, built-in control panel fitted with ON/OFF switch with warning light, thermostat, operation warning light and coiled power cable at the back
- The heating unit can be pulled out for ease of maintenance (the cupboard can be washed with a water jet after disassembling the electrical parts)
- Mains supply: 230V, 50/60 Hz, single-phase; power 1600W
- Water container to release moisture inside the cupboard
- All round grey non marking rubber bumper
- Two fixed and two braked swivel castors, ø 16cm, with galvanized brackets; grey non marking rubber tread rolling on bearings. Resilient castors for uneven floors or outdoor use available on request

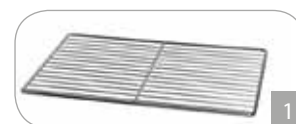


292

Item	Loading capacity	Runners	Shelf spacing (cm)	Watt		Max dim. (cm)
3213-6040-K	13 60x40cm		8	1600	A	93x88x151
3213-2GN-K	13 2/1 GN		8	1600	B	93x88x151
3218-6040-K	18 60x40cm		8	1600	C	93x88x191
3218-2GN-K	18 2/1 GN		8	1600	D	93x88x191



Options	Description	For item
SE260	1 Set with 4 resilient castors (2 with brake)	All
Accessories	Description	For item
A0038	- Closing handle with lock	All
A0171	1 2/1GN stainless steel wire rack	All GN





LUGGAGE RACKS
AND CARTS,
BARRIER SYSTEM
POSTS AND SHOE
POLISHERS

BRASS-PLATED BIRDCAGE LUGGAGE CARTS

- Brass-plated steel tube frame protected by clear coat
- Carpeted deck - claret or black colour
- Full wrap-around rubber bumper
- Two fixed and two braked swivel castors, \varnothing 16cm



Item 1950R

296

Item	Carpet colour	Max dim. (cm)
1921N	Black	79x59x189
1921R	Claret	79x59x189
1920N	Black	99x59x189
1920R	Claret	99x59x189
1950N	Black	108x76x189
1950R	Claret	108x76x189

Options	Description	For item
SE280	1 Set with 4 resilient castors (2 fixed and 2 swivel with brake)	All
SE310	2 Set with 4 pneumatic wheels (2 fixed and 2 swivel) to allow usage on uneven surfaces	All





Item 1920R



Item 1921N

CHROME-PLATED BIRDCAGE LUGGAGE CARTS

- Chrome-plated steel tube frame
- Carpeted deck - claret or black colour
- Full wrap-around rubber bumper
- Two fixed and two braked swivel castors, \varnothing 16cm

298



Item 1950CN

Item	Carpet colour	Max dim. (cm)
1922CN	Black	79x59x189
1922CR	Claret	79x59x189
1920CN	Black	99x59x189
1920CR	Claret	99x59x189
1950CN	Black	108x76x189
1950CR	Claret	108x76x189

Options	Description	For item
SE270	1 Set with 4 resilient castors (2 fixed and 2 swivel with brake)	All
SE310	2 Set with 4 pneumatic wheels (2 fixed and 2 swivel) to allow usage on uneven surfaces	All





Item 1922CN + SE310



Item 1920CN

STAINLESS STEEL BIRDCAGE LUGGAGE CARTS

- Stainless steel tube frame with polished or satin finish
- Carpeted deck - claret or black colour
- Full wrap-around rubber bumper
- Two fixed and two braked swivel castors, ø 16cm



Item 1922XR

300

Item	Description	Carpet colour	Max dim. (cm)
1922XR	Polished stainless steel	Claret	79x59x189
1922XN	Polished stainless steel	Black	79x59x189
1922SR	Satin stainless steel	Claret	79x59x189
1922SN	Satin stainless steel	Black	79x59x189
1920XR	Polished stainless steel	Claret	99x59x189
1920XN	Polished stainless steel	Black	99x59x189
1920SR	Satin stainless steel	Claret	99x59x189
1920SN	Satin stainless steel	Black	99x59x189
1950XR	Polished stainless steel	Claret	108x76x189
1950XN	Polished stainless steel	Black	108x76x189
1950SR	Satin stainless steel	Claret	108x76x189
1950SN	Satin stainless steel	Black	108x76x189

Options	Description	For item
SE270	1 Set with 4 resilient castors (2 fixed and 2 swivel with brake)	All
SE310	2 Set with 4 pneumatic wheels (2 fixed and 2 swivel) to allow usage on uneven surfaces	All





Item 1950XN



Item 1920XN

GARMENT RAILS

- Easily demountable chrome or brass plated steel frame
- 150cm-long garment rail
- Side extension bars (40cm each)
- Swivel castors



Item 1796



Item 1796D

Extension bar



302

Item	Description	Max dim. (cm)
1796	Chrome-plated steel	150x55x153 (with retracted extension bars)
1796D	Brass-plated steel	150x55x153 (with retracted extension bars)

- Garment rail structure in chrome-plated steel tube
- Stainless steel deck
- Grey rubber bumper rings at corners
- Swivel castors, ø 14cm



Item 1795

303

Item	Max dim. (cm)
1795	115x58x156

Options	Description	For item
S1250	1 Set with 2 braked castors	1795



1

LUGGAGE HANDTRUCKS

- Chrome-plated steel tube frame
- Folding luggage support
- Stackable
- Swivel castors, ø 12.5cm

304



Item 1485

Item	Max dim. (cm)
1485	74x55x95

Options	Description	For item
A00335	1 Set with 2 grey rubber bumper rings	1485



- Chrome-plated steel tube frame
- Chrome wire basket
- Stackable
- Two fixed castors (ø 20cm) and two swivel castors (ø 12.5cm)



Item 1487

Item	Max dim. (cm)
1487	89x64x102

Options	Description	For item
A00335	1 Set with 2 grey rubber bumper rings	1487



LUGGAGE HANDTRUCKS

- Chrome-plated steel tube frame
- Folding luggage support
- Castors, ø 20cm



306

Item	Max dim. (cm)
1790	76x58x130



- Frame and handle in aluminum painted steel sheet tube protected by clear coat
- Carpeted deck
- Lateral retaining bars depending on model
- Two fixed and two swivel castors, ø 16cm



Item 1894.1



Item 1894.2



Item 1894.3

Item	Retaining bars	Max dim. (cm)
1894.1	no	144x66x95
1894.2	1 pair	144x66x95
1894.3	2 pairs	144x66x95

Options	Description	For item
S1270	1 Set with 2 braked castors	All
SE310	2 Set with 4 pneumatic wheels (2 fixed and 2 swivel) to allow usage on uneven surfaces	All



1



2

WOODEN LUGGAGE RACKS

- Folding wood structure - various colours available depending on models
- With or without back guard
- Removable black PVC straps



Item 1460S



Item 1460



Item 1461S



Item 1461

Item	Wood finish	Back guard	Max dim. (cm)
1460	Dark walnut	Yes	48x48x58
1460S	Dark walnut	No	48x48x53
1461	Natural wood	Yes	48x48x58
1461S	Natural wood	No	48x48x53

- Folding painted wood structure - various colours available depending on models
- With or without back guard
- Removable black PVC straps



Item 1466C



Item 1468C



Item 1466



Item 1468

Item	Wood finish	Back guard	Max dim. (cm)
1466	Wenge stained	No	65x47x57
1466C	Natural wood	No	65x47x57
1468	Wenge stained	Yes	65x47x68
1468C	Natural wood	Yes	65x47x68

STEEL LUGGAGE RACKS

- Chrome or brass-plated tubular steel frame
- ø 2cm or 2.5cm - depending on model
- Without back guard
- Rubber feet
- Black PVC straps



Item 1755G



Item 1755P



Item 1756G



Item 1756P

Item	Description	Tube cross-section (cm)	Max dim. (cm)
1755G	Chrome-plated	2.5	68x43x51
1755P	Chrome-plated	2	56x38x44
1756G	Brass-plated	2.5	68x43x51
1756P	Brass-plated	2	56x38x44

- Chrome or brass-plated tubular steel frame
- ø 2cm or 2.5cm - depending on model
- With back guard
- Rubber feet
- Black PVC straps



Item 1750G



Item 1750P



Item 1751G



Item 1751P

Item	Description	Tube cross-section (cm)	Max dim. (cm)
1750G	Chrome-plated	2.5	68x49x72
1750P	Chrome-plated	2	56x40x58
1751G	Brass-plated	2.5	68x49x72
1751P	Brass-plated	2	56x40x58

POSTS FOR ROPE BARRIER SYSTEMS

- Post in polished stainless steel or brass-plated, 60mm ø
- Fastening ring to attach rope hooks in any direction
- Round ballasted base
- Suitable for sign holders
- Synthetic braided rope - various colours available
- Max recommended rope length: 1.5m.



Item 1907



Item 1913

Item 1914



312

Item	Description	Colour/Finish	Max dim. (cm)
1913	Post	Stainless steel	Ø 31x 94
1914	Post	Brass-plated	Ø 31 x94
1909	Vertical A4 portrait sign holder	Black	
1907	Horizontal A4 portrait sign holder	Black	
A0202	Rope per metre	Claret	Ø 3
A0204	Rope per metre	Gold	Ø 3
A0206	Rope per metre	Green	Ø 3
A0208	Rope per metre	Blue	Ø 3
A0213	Snap rope hook	Stainless steel	
A0214	Snap rope hook	Brass-plated	

- Post in polished stainless steel or or black lacquer - 50mm ø
- Round ballasted base
- 2m-long retractable strap
- Suitable for sign holders



Item 1908



Item 1906XR



Item 1905XR

Item 1905R

Item	Description	Max dim. (cm)
1905	Black post - blue strap	Ø 31x 100
1905R	Black post - red strap	Ø 31x 100
1905X	Stainless steel post - blue strap	Ø 31x 100
1905XR	Stainless steel post - red strap	Ø 31x 100
1906XB	Stainless steel wall fittings - blue strap	
1906XR	Stainless steel wall fittings - red strap	
1906NB	Black lacquer wall fittings - blue strap	
1906NR	Black lacquer wall fittings - red strap	
1908	Vertical A4 sign holder, stainless steel frame	

- Epoxy powder coated steel frame
- Grip handle
- ON/OFF button with electronic timer for delayed stopping
- Cotton and horsehair brushes
- Single-phase electric motor (230V - 50Hz, 150W)
- Rubber mat
- Polish dispenser
- Adjustable feet



Item 9023

Item	Max dim. (cm)
9023	62x30x83

Accessories	Description
9026	1l neutral polish (min 6l bottle)





ROOM SERVICE TABLES
AND HOUSEKEEPING
TROLLEYS

ROOM SERVICE TABLES

- Stainless steel construction, brushed finish
- Round melamine-faced top with all round rubber bumper and folding leaves
- The top folds vertically to nest the tables together and save space
- Swivel castors, \varnothing 9.5cm, 2 with brake

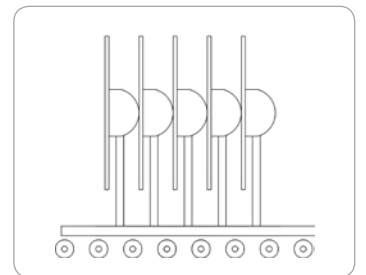
Cherry wood



Item 1104-80

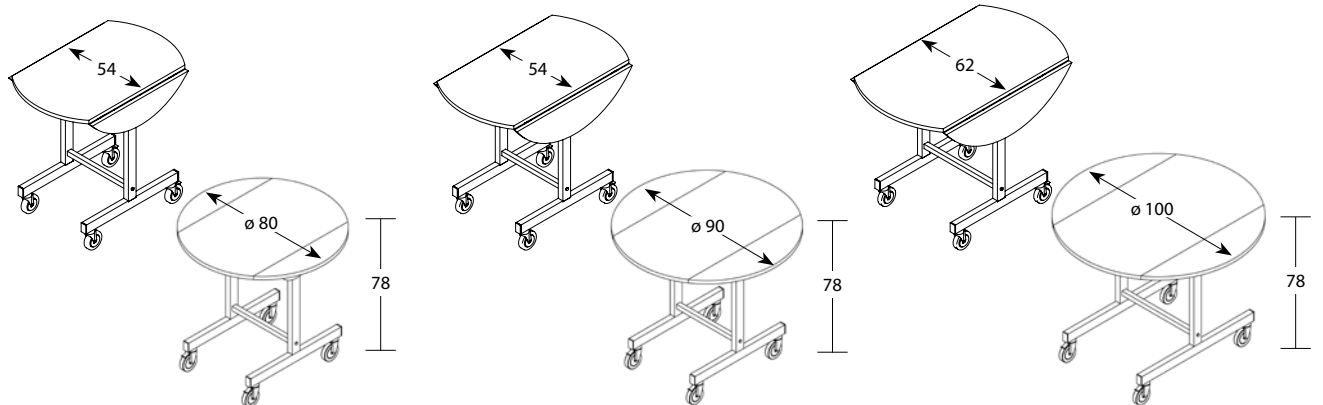


Foldable



Nestable

318



Item	Top shelf dim. (cm)	Max dim. (cm)
1104-80	\varnothing 80	\varnothing 80x78
1104-90	\varnothing 90	\varnothing 90x78
1104-100	\varnothing 100	\varnothing 100x78

Item	Description	For item
A0001	1 Insulated food carrier	1104-100
A0003	1 Insulated food carrier	1104-80, 1104-90



1

- Stainless steel construction, brushed finish
- Square melamine-faced top with all round rubber bumper and folding leaves
- The top folds vertically to nest the tables together and save space
- Swivel castors, ø 9.5cm, 2 with brake

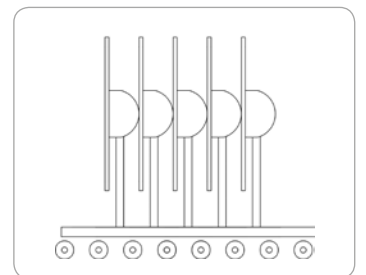
Cherry wood



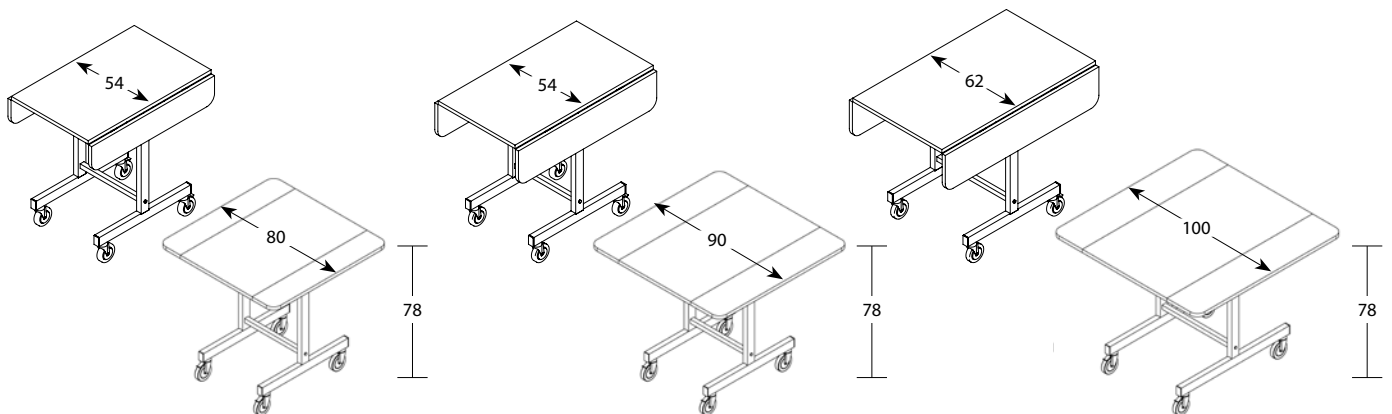
Item 1104-Q80



Foldable



Nestable



Item	Top shelf dim. (cm)	Max dim. (cm)
1104-Q80	80x80	80x80x78
1104-Q90	90x90	90x90x78
1104-Q100	100x100	100x100x78

Item	Description	For item
A0001	1 Insulated food carrier	1104-Q100
A0003	1 Insulated food carrier	1104-Q80, 1104-Q90



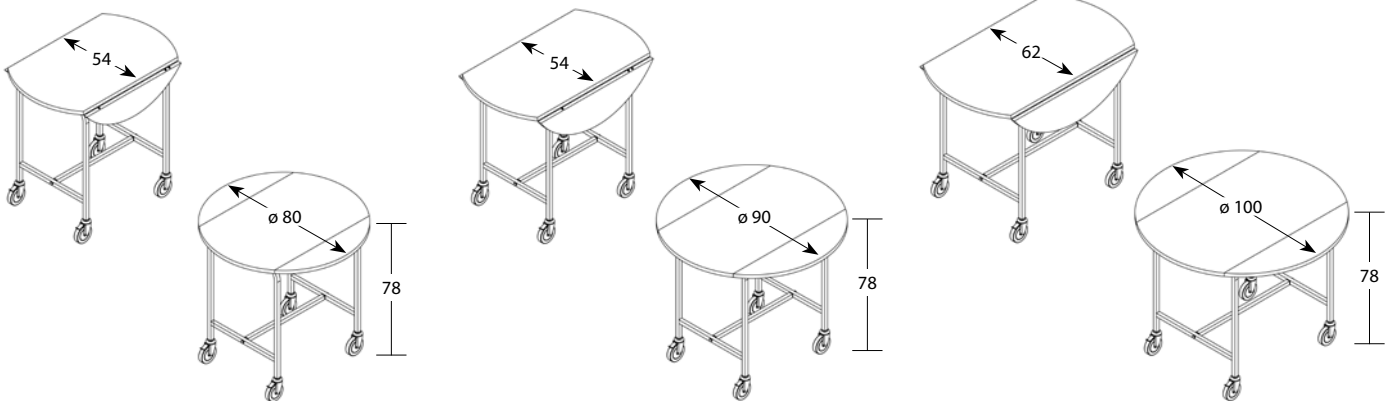
ROOM SERVICE TABLES

- Stainless steel 2x2cm square tube frame
- Round melamine-faced top with all round rubber bumper and folding leaves
- Swivel castors, \varnothing 9.5cm, 2 with brake

Cherry wood



Item 1102-80



Item	Top shelf dim. (cm)	Max dim. (cm)
1102-80	\varnothing 80	\varnothing 80x78
1102-90	\varnothing 90	\varnothing 90x78
1102-100	\varnothing 100	\varnothing 100x78

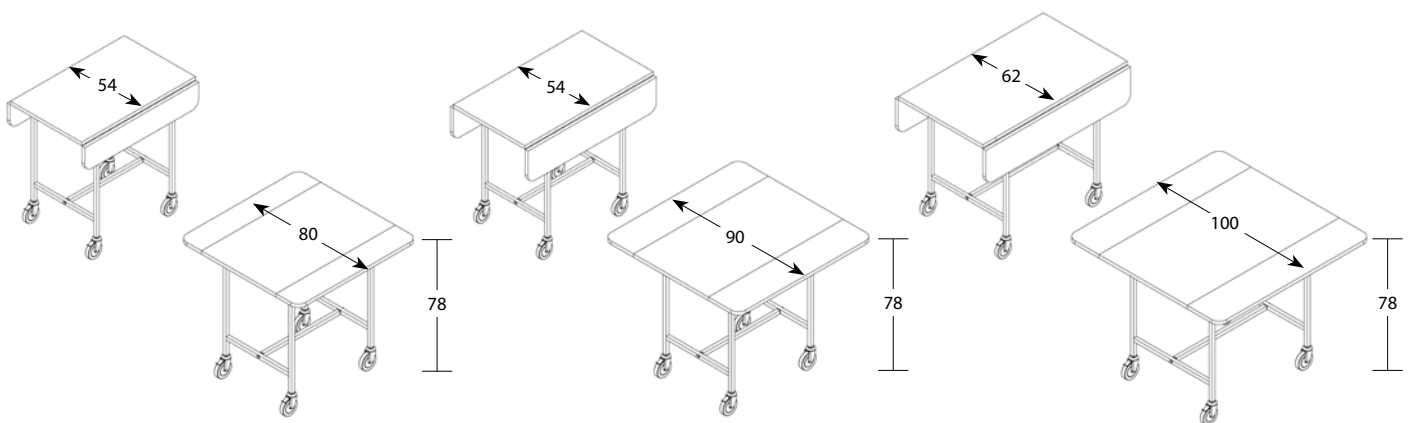
- Stainless steel 2x2cm square tube frame
- Square melamine-faced top with all round rubber bumper and folding leaves
- Swivel castors, \varnothing 9.5cm, 2 with brake

Cherry wood



Item 1102-Q80

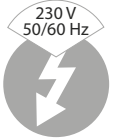
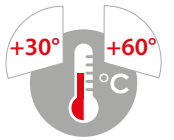
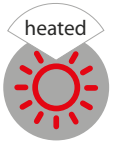
321



Item	Top shelf dim. (cm)	Max dim. (cm)
1102-Q80	80x80	80x80x78
1102-Q90	90x90	90x90x78
1102-Q100	100x100	100x100x78

INSULATED FOOD CARRIERS

- AISI 304 stainless steel sheet construction, brushed finish
- Can take plates with a max diameter of 32cm
- PVC handle to transport the carrier
- Front hinged door, opening angle 180°
- Opening handle with snap closure
- Intermediate stainless steel shelf
- ON/OFF switch with warning light
- Thermostatic control from +30 °C to +90 °C
- Removable power cable
- Mains voltage: 230V, 50/60 Hz, single-phase



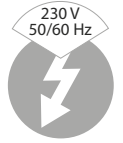
Item A0003



322

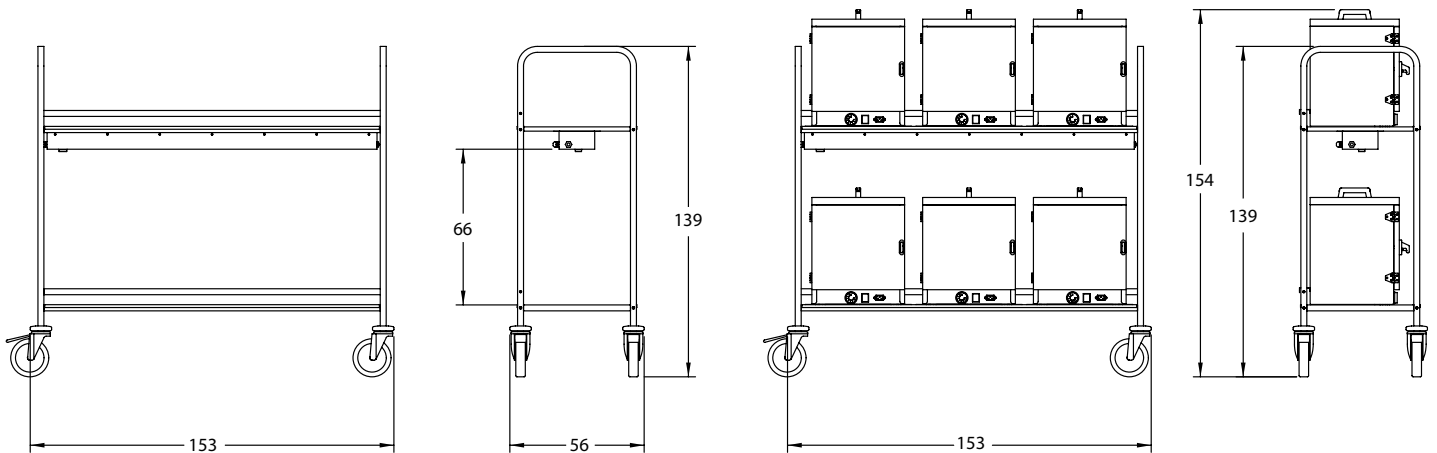
Item	For item	Max dim. (cm)
A0001	1104-100, 1104-Q100	39x46x51
A0003	1104-80, 1104-90, 1104-Q80, 1104-Q90	45x46x51

- AISI 304 stainless steel tube construction with stainless steel sheet shelves
- Max capacity: 6 insulated food carriers (items A0001 - A0003)
- Max absorbed power 2400W
- Mains voltage: 230V, 50/60 Hz, single-phase
- Grey rubber ring buffers
- Swivel castors, \varnothing 12.5cm, 2 with brake



Item 1150 + (6xA0001-A0003)

323



Item	Power	Max dim. (cm)
1150	6 x 400W	153x56x139

MINI BAR RESTOCKING TROLLEYS

- Stainless steel 2x2cm square tube frame
- Supplied with 3 removable PVC racks fitted with inserts to prevent tipping for no. 40 bottles – max ø 6.5cm
- Grey rubber ring buffers
- Swivel castors, ø 12.5cm



Item 2050 + S1200

324

Item	Max dim. (cm)
2050	73x47x102

Options	Description	For item
S1200	1 Set with 2 braked castors	2050



- Grey epoxy powder painted steel sheet construction comprising a base and three intermediate shelves adjustable in height
- Detachable PVC bin for empty bottles
- Push handle
- 180° opening doors with lock
- Base fitted with all round grey non marking rubber bumper
- Two fixed and two swivel castors, ø 16cm



Item 2012 + S1270

Item 2012 + S1270

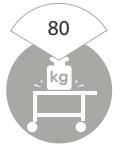
Item	Max dim. (cm)
2012	100x62x119

Options	Description	For item
S1270	1 Set with 2 braked castors	2012
SE270	2 Set with 4 resilient castors (2 with brake)	2012



STAINLESS STEEL CHAMBERMAID TROLLEYS - SERIES 4400

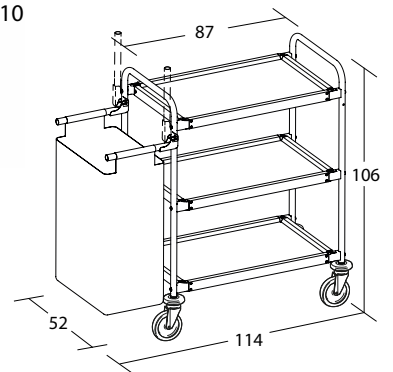
- Stainless steel 2.5cm tube construction
- Sheet steel shelves plastic coated, wood effect finish
- No sharp edges
- Pressed aluminium corner joints to fix the tiers to the frame with rounded inner angles
- 1 folding bag holder with canvas bag for dirty linen (Item 4402)
- 2 folding bag holders with canvas bag for dirty dirty linen (Item 4404)
- Grey rubber ring buffers
- Swivel castors, ø 12.5cm



Walnut



Item 4402 + S1210



326

Item	Description	Max dim. (cm)
4402	3 tiers - 70x45 cm + 1 folding bag holder with canvas bag for dirty linen	87-114x52x106
4404	4 tiers - 70x45 cm + 2 folding bag holders with canvas bag for dirty linen	87-140x52x130

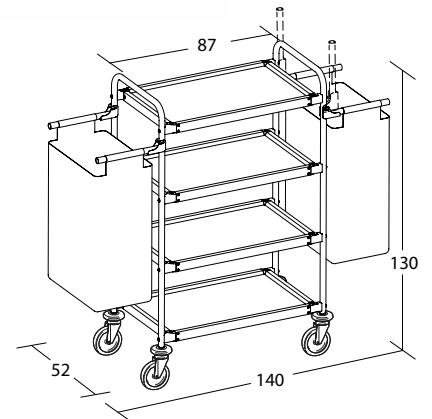
Options	Description	For item
S1210	1 Set with 2 braked castors	All
SE210	2 Set with 4 resilient castors (2 with brake)	All





Item 4404 + S1210

327



Accessories		Description	For item
A0079	3	PVC tray	All
R0040	-	Canvas bag for dirty linen	4402
R0010	-	Canvas bag for dirty linen	4404



CHAMBERMAID TROLLEYS WITH MELAMINE-FACED SHELVES

- Stainless steel 2x2cm square tube frame
- Melamine-faced shelves
- Folding bag holder with canvas bag for dirty linen
- Grey rubber bumper
- Swivel castors, ø 12.5cm

Cherry wood



Item 4410 + S1200



Item 4415 + S1200

328

Item	Description	Max dim. (cm)
4410	4 tiers + 1 folding bag holder with canvas bag for dirty linen	101-140x52x137
4415	4 tiers + 1 folding bag holder with canvas bag for dirty linen + 1 folding waste bag holder with lid and dividing panel	101-140x52x137

Options	Description	For item
S1200	1 Set with 2 braked castors	All
SE200	2 Set with 4 resilient castors (2 with brake)	All

Accessories	Description	For item
R0010	Canvas bag for dirty linen	All



1



2

- Stainless steel 2x2cm square tube frame
- Melamine-faced shelves
- 2 folding bag holders with canvas bag for dirty linen
- Grey rubber ring buffers
- Swivel castors, ø 12.5cm

Cherry wood



Item 4430.90 + S1200

329

Item	Description	Max dim. (cm)
4430.70	4 x 70cm tiers + 2 folding bag holders with canvas bag for dirty linen	81-120x52x137
4430.90	4 x 90cm tiers + 2 folding bag holders with canvas bag for dirty linen	101-140x52x137

Options	Description	For item
S1200	1 Set with 2 braked castors	All
SE200	2 Set with 4 resilient castors (2 with brake)	All

Accessories	Description	For item
R0010	Canvas bag for dirty linen	All



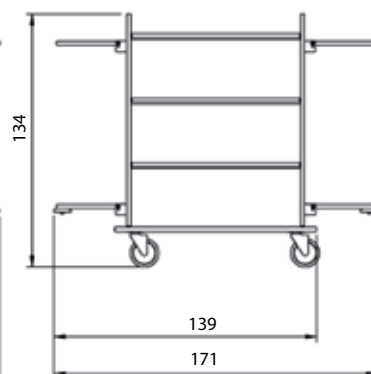
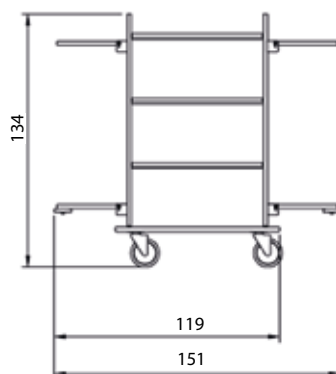
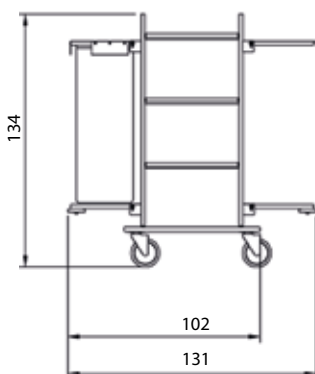
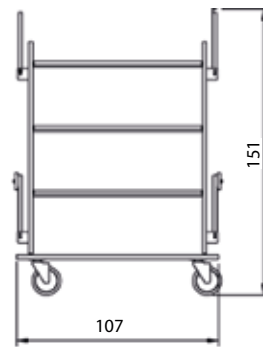
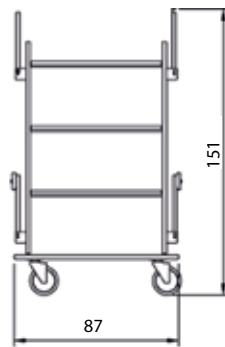
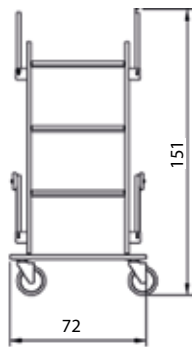
PRESENTATION OF HOUSEKEEPING TROLLEYS WITH MELAMINE-FACED SHELVES

A modular series of housekeeping trolleys with three different base sizes - 50, 70, 90cm length - and the common feature of having four shelves for clean linen, the possibility to mount side panels and to add a rear panel.

For dirty linen, a bag holder ring with canvas bag is fitted as standard and can be folded to save space. To collect waste, a folding waste bag holder accessory is available and is fitted with lid, dividing panel and small bag support shelf. Another folding bag holder with canvas linen bag or a folding waste bag holder with lid and bag support shelf can be added to any model in the series. For 70 or 90cm-long trolleys a top loading tray is available, which can be either open or closed with a lid fitted with a lock.

The tubular stainless steel structure sits on a cherry wood-stained melamine base, with grey rubber bumper, to which the 15 cm-diameter plate-mounted castors are fitted, including two with optional brake, which guarantee excellent resistance to weight and smooth sliding.

330





Item A41
Folding bag holder ring with
canvas bag for dirty linen



Item A45-90
Top loading compartmental tray with lid and
lock; also available without lid



Item A43
Folding waste bag holder with
lid, dividing panel and small
bag support shelf



Item 4492 + A43 + A45-90 + S1240

HOUSEKEEPING TROLLEYS WITH MELAMINE-FACED SHELVES

- Stainless steel 2x2cm square tube frame
- Melamine-faced shelves and side panels
- Folding bag holder with canvas bag for dirty linen
- Base fitted with all round grey non marking rubber bumper
- Swivel castors, ø cm 15

Cherry wood



Item 4450 + S1240



Item 4491

332

Item	Description	Max dim. (cm)
4450	72cm base + 1 folding bag holder with canvas bag	72x52x134
4451	72cm base + side panels + 1 folding bag holder with canvas bag	72x52x134
4452	72cm base + panels on three sides + 1 folding bag holder with canvas bag	72x52x134
4470	87cm base + 1 folding bag holder with canvas bag	87x52x134
4471	87cm base + side panels + 1 folding bag holder with canvas bag	87x52x134
4472	87cm base + panels on three sides + 1 folding bag holder with canvas bag	87x52x134
4490	107cm base + 1 folding bag holder with canvas bag	107x52x134
4491	107cm base + side panels + 1 folding bag holder with canvas bag	107x52x134
4492	107cm base + panels on three sides + 1 folding bag holder with canvas bag	107x52x134

Options	Description	For item
S1240	1 Set with 2 braked castors	All
SE240	2 Set with 4 resilient castors (2 with brake)	4470-4471-4472 4490-4491-4492





Item 4451 + S1240



Item 4452 + S1240



Item 4471 + S1240



Item 4491 + S1240

Accessories	Description	For item
A41	Folding bag holder with canvas bag for dirty linen	All
A42	Folding bag support	All
A43	Folding waste bag holder with lid and small bag support shelf	All
A44-70	Top loading compartmental tray, 70cm	4470 - 4471 - 4472
A44-90	Top loading compartmental tray, 90cm	4490 - 4491 - 4492
A45-70	Top loading compartmental tray with lid and lock, 70cm	4470 - 4471 - 4472
A45-90	Top loading compartmental tray with lid and lock, 90cm	4490 - 4491 - 4492
R0015	Canvas bag for dirty linen	All

PRESENTATION OF HOUSEKEEPING TROLLEYS WITH CUPBOARD

This trolley was created for clearing rooms and was designed to offer maximum versatility and sturdiness. Numerous special accessories complete the piece and make it suitable for various uses.

The fully-welded sheet steel structure finished with epoxy powder paint makes this a solid and sturdy piece that can cope with particularly difficult work conditions, such as service lifts that are not perfectly levelled, uneven external paving, etc.

Anchored to the base are 16 cm-diameter castors - two fixed and two swivel castors with an optional brake. Alternatively, resilient castors or wheels with pneumatic tyres can be fitted and are ideal for outdoor use. The edge bumpers protect the trolleys from knocks and do not ruin furnishings.

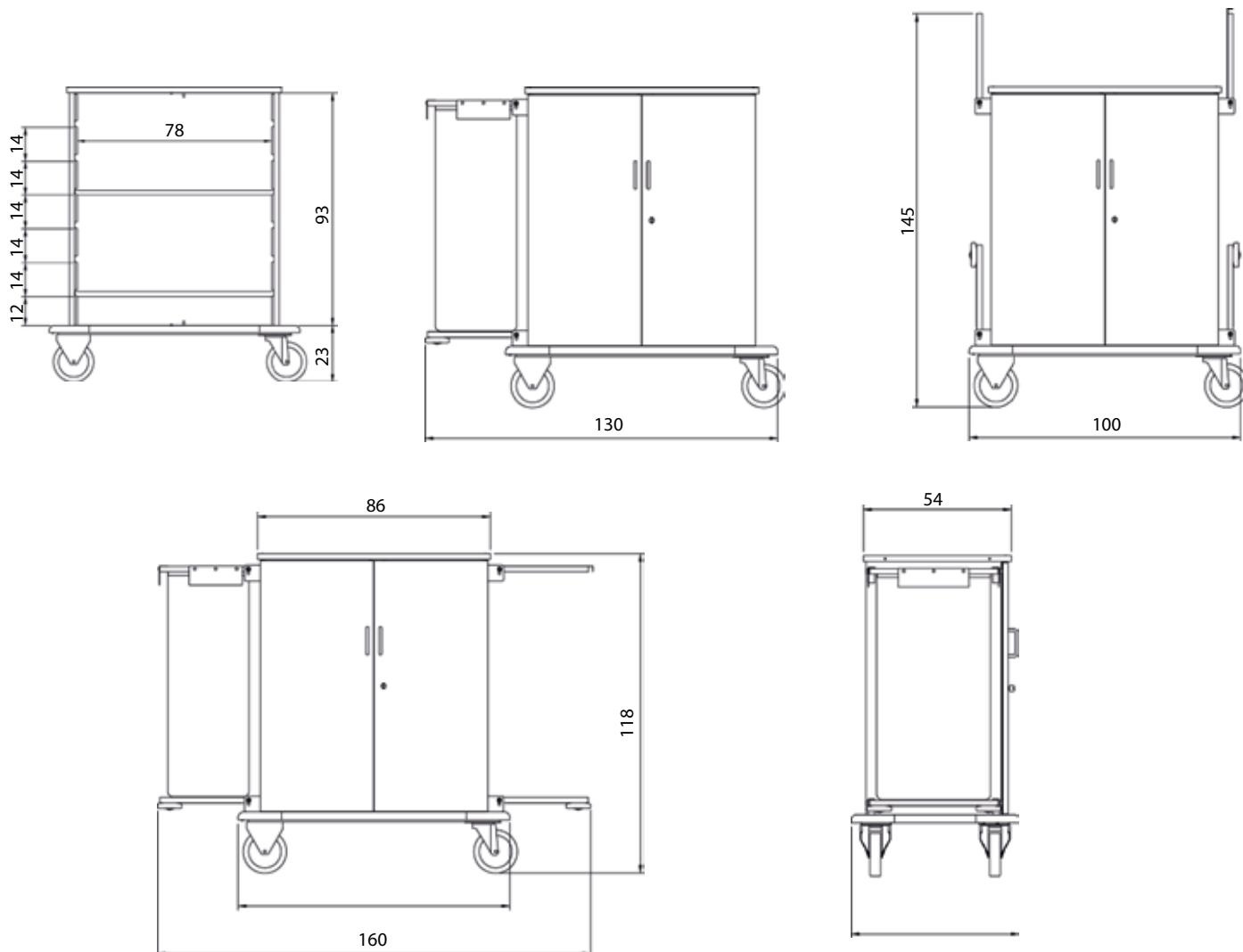
As well as a base panel, the internal compartment has two height-adjustable shelves and if requested, can be fitted with lockable doors.

External accessories (dirty linen bag support, waste bag support) include a small lower panel (optional for linen bag holder) that, when open in the working position, extends protection to furnishings thanks to integrated rubber buffers. When the trolley is not in use, all the accessories can be folded to save space.

Furthermore, a product tray with adjustable internal dividers is available that can be placed on top and can be either open or closed with a lockable lid.

A maximum of three black ABS product trays can be placed on the side of the trolley.

334





Item A46
Folding bag holder with canvas bag for dirty linen



Item A45-90
Top loading compartmental tray with lid and lock; also available without lid



Item A48
Folding waste bag holder with lid and small bag support shelf



Item 2026S + A47 + A45-90 + S1270



Item A49
Two lockable doors



Item A47
Folding bag support



Item AB01x3



Item 2020 + S1270



Item 2024 + S1270

Item	Canvas bag	Waste bag holder	Doors	Max dim. (cm)
2020	-	-	-	100x62x118
2020S	-	-	2	100x62x118
2022	1	-	-	130x62x118
2022S	1	-	2	130x62x118
2024	2	-	-	160x62x118
2024S	2	-	2	160x62x118
2026	1	1	-	160x62x118
2026S	1	1	2	160x62x118

Options	Description	For item
S1270	1 Set with 2 braked castors	All
SE270	2 Set with 4 resilient wheels (2 with brake)	All
SE310	3 Set with 4 pneumatic wheels (2 rigid, 2 swivel)	All





Item 2022S + A47 + AB01(x3) + S1270



Item 2022S + S1270



Item 2026S + A47 + A45-90 + S1270

Accessories		Description	For item
A47	-	Folding bag support	All
A44-90	-	Top loading compartmental tray , 90cm	All
A45-90	-	Top loading compartmental tray with lid&lock, 90 cm	All
R0015	-	Canvas bag for dirty linen	All
AB01	1	PVC waste bin, 35x19x18cm	All



- White plastic-coated steel tube foldable structure (Item 1500)
- White painted steel tube and wire foldable structure (Item 1505-1510)
- Swivel wheels - various diameters available depending on models



Item 1500

338

Item	Wheel ø (cm)	Max dim. (cm)
1500	8	80x51x75
1505	9.5	80x52x77
1510	9.5	100x60x87

Accessories		Description	For item
R0020	1	Canvas bag for dirty linen	1500 -1505
R0030	1	Canvas bag for dirty linen	1510



1



Item 1505



Item 1510

POLYPROPYLENE LINEN TRUCKS

- Structure made of polypropylene snap-in tubes
- Wheels mounted onto a galvanized steel frame – various diameters available depending on models



Item 15500

340



Item 15502

Item	Wheel \varnothing (cm)	Max dim. (cm)
15500	12.5	134x75x84
15502	10	102x63x82
15504	10	95x63x66
15506	8	83x48x62
15508	8	83x48x79



Item 15504



Item 15506



Item 15508

LINEN TRUCKS

- ABS base
- Nylon bag holder ring with bag retaining rubber seal
- AISI 304 stainless steel tube uprights
- Swivel castors, ø 8cm, 2 with brake



Item 14510



Item 14512



Item 14514

342

Item	Max dim. (cm)
14510	36x54x93
14512	74x54x93
14514	112x54x93

Accessories	Description	For item
A14540	1 Pedal operated blue lid	All
A14542	- Pedal operated red lid	All
A14544	- Pedal operated yellow lid	All
A14546	- Pedal operated green lid	All
A14548	- Pedal operated white lid	All
A14550	- Pedal operated brown lid	All
A0298	2 Push handle	All
R0296	3 Canvas bag	All





Item 14510 + A14540



Item 14510 + A14542 + R0296



Item 14512 + A14540 + A14542 + A0298



Item 14542



Item 14544



Item 14546



Item 14548

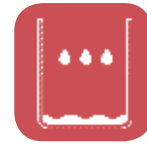


Item 14550



WASTE BINS,
WASTE PAPER BINS,
ASHTRAYS,
UMBRELLA STANDS,
PAPER TOWEL
DISPENSERS

- AISI 304 stainless steel waste container, brushed finish
- Watertight pressed bottom with no sharp edges
- Lid: 1/2 fixed + 1/2 opening
- All-round rubber trim
- Two fixed and two swivel castors







Watertight pressed bottom with no sharp edges



Item 2672



Item	Opening	Capacity (L)	Max dim. (cm)		  cm	
2670	Manual	110	58x35x70	11	M 64x39x72	12
2672	Manual	140	62x40x70	13	M 68x43x72	14
2674	Manual	150	60x45x70	13	M 66x49x72	14

- AISI 304 stainless steel waste bin, brushed finish
- Watertight radial pressed bottom with no sharp edges
- Manual or pedal operated opening depending on model
- All-round rubber trim
- Wheel-mounted



Watertight pressed bottom with no sharp edges



Item	Opening	Capacity (L)	Max dim. (cm)	Kg	cm	Kg
2650	Pedal operated	50	ø 40x62	9	M 43x43x67	10
2652	Pedal operated	75	ø 48x60	10	M 51x51x67	11
2654	Pedal operated	100	ø 48x72	11	M 51x51x78	13
2656	Manual	50	ø 40x62	8	M 43x43x67	9
2658	Manual	75	ø 48x60	9	M 51x51x67	10
2660	Manual	100	ø 48x72	10	M 51x51x78	12

STAINLESS STEEL WASTE BINS

- AISI 304 stainless steel waste bin, satin finish
- Leak-proof bottom
- Manual opening
- Removable wheeled base



Leak-proof bottom



Item 2450





Item 2451



Item 2452

348

Item	Opening	Capacity (L)	Max dim. (cm)	Kg	  cm	Kg
2450	Manual	50	ø 40x50	10	M 47x47x64	11
2451	Manual	70	ø 40x70	11	M 52x52x79	12
2452	Manual	90	ø 40x90	15	M 45x47x100	16

- AISI 304 stainless steel waste bin, satin finish
- Leak-proof bottom
- Pedal operated opening
- Removable wheeled base



Leak-proof bottom



Item 2455







Item 2456



Item 2457

349

Item	Opening	Capacity (L)	Max dim. (cm)	 Kg	 M	 cm	 Kg
2455	Pedal operated	50	∅ 40x50	10	M	47x47x64	11
2456	Pedal operated	70	∅ 40x70	11	M	52x52x79	12
2457	Pedal operated	90	∅ 40x90	15	M	45x47x100	16

FREE-STANDING WASTE SACK-HOLDERS

- Wheeled white-lacquer metal waste sack-holder
- Pedal operated opening







Item 2438

350

- Wheeled chrome-plated tube waste sack-holder
- Plastic lid, manual opening



Item 2440

Item	Opening	Capacity (L)	Max dim. (cm)		  cm	
2438	Pedal operated	100	40x45x100	12	M 63x57x100	13
2440	Manual	100	52x48x103	6	M 57x63x105	7

- AISI 304 stainless steel waste sack-holder, satin finish
- Pedal operated opening
- Swivel castors



Item 2434



Item 2441

- Polyethylene waste bin with handles and satin finished stainless steel dolly
- Nylon castors

Item	Opening	Capacity (L)	Max dim. (cm)	Kg	cm	Kg
2434	Pedal operated	110	ø 40x86	10	M 45x47x100	11
2441	Manual	75	ø 57x80	5	M 52x52x79	6

WASTE BINS - RECYCLING RANGE

- Stainless steel waste bin
- Bag held in place by an elastic ring
- Front door
- Pedal operated opening, stainless steel or coloured finish depending on model
- Two-wheel base



Item 2466



Item 2467

352

DISCONTINUED

DISCONTINUED

DISCONTINUED



DISCONTINUED

Item 2466B / Item 2467B

Item 2466G / Item 2467G

Item 2466V / Item 2467V

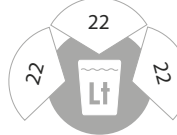
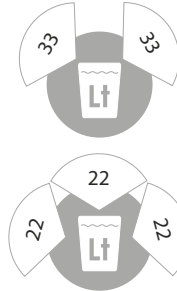
Item 2466R / Item 2467R

Item	Lid finish	Capacity (L)	Max dim. (cm)	Kg	  cm	Kg
2466	Stainless steel	70	46x36x70	11	M 52x52x79	12
2466B	Blue	70	46x36x70	11	M 52x52x79	12
2466G	Yellow	70	46x36x70	11	M 52x52x79	12
2466V	Green	70	46x36x70	11	M 52x52x79	12
2466R	Red	70	46x36x70	11	M 52x52x79	12
2467	Stainless steel	90	46x36x90	15	M 52x52x100	16
2467B	Blue	90	46x36x90	15	M 52x52x100	16
2467G	Yellow	90	46x36x90	15	M 52x52x100	16
2467V	Green	90	46x36x90	15	M 52x52x100	16
2467R	Red	90	46x36x90	15	M 52x52x100	16

- Stainless steel waste bin
- Removable inner liners in painted galvanised sheet metal, 2 or 3 depending on model
- Pedal operated opening
- Fixed base without wheels



Item 2442



- Stainless steel waste bin
- Inner liner in galvanised sheet metal
- Pedal operated opening

DISCONTINUED



Item 2472

Item	Liners	Liner capacity	Capacity (L)	Max dim. (cm)	Kg			cm	Kg
2442	2	33 L (each)	66	46x36x70	17	M		52x52x79	18
2443	3	22 L (each)	66	46x36x70	17	M		52x52x79	18
2472	1	-	80	ø 42x73	13	M		52x52x79	14

Accessories		Description	For item
2449	1	Stainless steel wheeled base	2442 - 2443

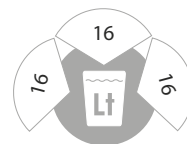
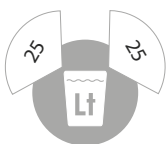


2460B	2	Stainless steel wheeled base	2472
-------	---	------------------------------	------

DISCONTINUED



- Stainless steel bin, satin finish
- Removable galvanised inner liners, 2 or 3 depending on model







Item 2585

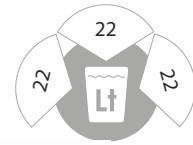
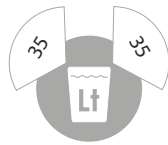
Item 2586



354

Item	Liners	Liner capacity	Capacity (L)	Max dim. (cm)			 cm	
2585	2	25 L (each)	50	ø 35x62	6	M	38x38x67	7
2586	3	16 L (each)	48	ø 35x62	6	M	38x38x67	7

- Stainless steel bin, satin finish
- Removable galvanised inner liners, 2 or 3 depending on model



Item 2587



Item 2588

DISCONTINUED
all the items

355



Item	Liners	Liner capacity	Capacity (L)	Max dim. (cm)	Kg	cm	Kg
2587	2	35 L (each)	70	ø 40x70	7	M 52x52x79	8
2588	3	22 L (each)	66	ø 40x70	7	M 52x52x79	8

RECYCLING BINS

- Stainless steel rectangular bin
- Swing top in scratch proof stainless steel or lacquer metal depending on model



Item 2431



Item 2432

DISCONTINUED

Item 2431G / Item 2432G

DISCONTINUED

Item 2431V / Item 2432V



DISCONTINUED


Item 2431B / Item 2432B

DISCONTINUED

Item 2431R / Item 2432R

356

Item	Lid finish	Capacity (L)	Max dim. (cm)	Kg	  cm	Kg
2431	Stainless steel	30	30x20x70	4	M 33x24x75	5
2431B	Blue	30	30x20x70	4	M 33x24x75	5
2431G	Yellow	30	30x20x70	4	M 33x24x75	5
2431V	Green	30	30x20x70	4	M 33x24x75	5
2431R	Red	30	30x20x70	4	M 33x24x75	5
2432	Stainless steel	70	40x30x90	9	M 46x35x91	10
2432B	Blue	70	40x30x90	9	M 46x35x91	10
2432G	Yellow	70	40x30x90	9	M 46x35x91	10
2432V	Green	70	40x30x90	9	M 46x35x91	10
2432R	Red	70	40x30x90	9	M 46x35x91	10

Accessories	 Description	For item
2431S	1 Magnetic fitting to join bins	All
2431T	2 Steel rod bag holder	Series 2431
2432T	2 Steel rod bag holder	Series 2432

DISCONTINUED



2

- Stainless steel bin, push operated opening
- Push operated opening - stainless steel or coloured hatch depending on model



Item 2404

DISCONTINUED

Item 2404G

DISCONTINUED

Item 2404V

DISCONTINUED

Item 2404B

DISCONTINUED

Item 2404R

Item	Lid finish	Capacity (L)	Max dim. (cm)	Kg	cm	Kg
2404	Stainless steel	45	ø 30x88	6	M 36x36x94	7
2404B	Blue	45	ø 30x88	6	M 36x36x94	7
2404G	Yellow	45	ø 30x88	6	M 36x36x94	7
2404V	Green	45	ø 30x88	6	M 36x36x94	7
2404R	Red	45	ø 30x88	6	M 36x36x94	7

Accessories	Description	For item
2404S	1 Magnetic fitting to join bins	All
2404C	2 Galvanised steel sheet liner	All

DISCONTINUED



2

WASTE PAPER BINS

- Push opening waste paper bin
- stainless steel or white/black lacquer metal
- Push or pedal operated opening depending on model



Item 2405



Item 2407






Item 2408

DISCONTINUED

DISCONTINUED

358

Item	Description	Opening	Capacity (L)	Max dim. (cm)	Kg	  cm	Kg
2405	White lacquer	Push	45	ø 30x88	6	M 36x36x94	7
2407	Black lacquer	Push	45	ø 30x88	6	M 36x36x94	7
2408	Stainless steel	Pedal	45	ø 30x88	6	M 36x36x94	7

Accessories	 Description	For item
2404C	1 Galvanised steel sheet liner	All



1

- Push opening stainless steel waste paper bin
- Push or pedal operated opening depending on model



Item 2410



Item 2411



Item 2409

359

Item	Description	Opening	Capacity (L)	Max dim. (cm)	Kg	cm	Kg
2409	Stainless steel	Push	87	ø 40x95	10	M 49x47x101	11
2410	Stainless steel	Push	78	ø 40x83	8	M 49x49x82	9
2411	Stainless steel	Pedal	78	ø 40x83	9	M 49x49x82	10

Accessories	Description	For item
2409Z	1 Galvanised steel sheet liner	2409
2410Z	1 Galvanised steel sheet liner	2410 - 2411



1

WASTE BINS

- Stainless steel waste bin
- Pedal operated stainless steel lid
- Inner liner





Item 2483

Item 2482

Item 2480

360





Item	Inner liner	Capacity (L)	Max dim. (cm)	Kg	  cm	Kg
2483	Aluminum	11	ø 26x40	5	M 30x30x46	6
2482	Galvanised sheet metal	18	ø 26x58	6	M 30x30x63	7
2480	Galvanised sheet metal	25	ø 26x73	7	M 30x30x79	8

- Stainless steel waste bin
- Pedal operated stainless steel lid
- Inner liner



Item 2491

Item 2490

Item	Inner liner	Capacity (L)	Max dim. (cm)			 cm	
2491	Galvanised sheet metal	30	ø 32x60	7	M	37x36x64	8
2490	Galvanised sheet metal	40	ø 32x75	8	M	36x36x79	9

WASTE BINS

- Waste bin in stainless steel or white epoxy powder coated steel
- Black plastic liner
- Pedal operated opening





DISCONTINUED
all the items



Item 2494

Item 2494B

MINIMUM SUPPLY: 6 PIECES PER ITEM

Item	Description	Capacity (L)	Max dim. (cm)	Kg	  cm	Kg
2493	Stainless steel	3	ø 17x25	1	M 26x22x18	15
2493B	White painted	3	ø 17x25	1	M 26x22x18	15
2494	Stainless steel	5	ø 21x28	1	M 26x22x32	15
2494B	White painted	5	ø 21x28	1	M 26x22x32	15

- Waste bin in stainless steel or white epoxy powder coated steel
- Black plastic liner
- Pedal operated opening





Item 2495

Item 2496

Item 2497

363

Item	Description	Capacity (L)	Max dim. (cm)	Kg	  cm	Kg
2495	Stainless steel	14	ø 25x38	2	M 26x34x44	2.5
2495B	White painted	14	ø 25x38	2	M 26x34x44	2.5
2496	Stainless steel	20	ø 29x50	3.5	M 38x31x55	4.5
2497	Stainless steel	30	ø 29x68	4	M 38x31x71	5.5

WASTE PAPER BINS

- Satin finished stainless steel waste paper bin
- Self-extinguishing top, satin finished stainless steel

Self-extinguishing



Item 2553







Item 2554



Item 2544







Item 2545

Item	Capacity (L)	Max dim. (cm)	 Kg	  cm	 Kg
2553	29	ø 25x60	3	M 31x31x63	4
2554	35	ø 25x70	4	M 28x28x76	5
2544	50	ø 30x70	5	M 36x36x79	6
2545	85	ø 40x70	7	M 52x52x79	8

- Outdoor wall-mounted litter bin - satin finished stainless steel or charcoal lacquer metal
- Tilt-to-empty version



Item	Description	Max dim. (cm)	 Kg	  cm	 Kg
2727	Stainless steel	28x25x49	6	M 34x34x58	7
2727G	Charcoal lacquer	28x25x49	6	M 34x34x58	7

WASTE PAPER BINS

- Waste paper bin - stainless steel or matt black lacquer metal



Item 2730







366

- Waste paper bin, perforated stainless steel



Item 2740

Item	Description	Max dim. (cm)	 Kg	 M	 cm	 Kg
2730	Stainless steel	ø 20x33	15	M	23x23x35	2
2734	Matt black lacquer	ø 20x33	15	M	23x23x35	2
2740	Perforated stainless steel	ø 20x33	15	M	23x23x35	2

- Rounded square waste paper bin in satin finished stainless steel



Item 2770



- Rounded triangular-shaped waste paper bin in stainless steel or aluminium grey/matt black lacquer







Item 2774



Item 2774G



Item 2774N

Item	Description	Max dim. (cm)	 Kg		 cm	 Kg
2770	Stainless steel, satin finish	25x25x38	2	M	28x28x40	3
2774	Stainless steel	27(side)x40	2	M	28x28x53	3
2774G	Aluminum grey lacquer	27(side)x40	2	M	28x28x53	3
2774N	Matt black lacquer	27(side)x40	2	M	28x28x53	3

- Litter bin and ashtray top litter bin in burnt copper with brass edges
- Leak-proof bottom
- Antioxidant transparent varnish



Leak-proof bottom



Item 2625

Item 2624



Item	Description	Max dim. (cm)			 cm	
2625	Burnt copper with brass edges	ø 23x30	1	M	25x25x36	2
2624	Burnt copper with brass edges	ø 23x66	3	M	26x26x71	4

• Stainless steel or brass ashtray top litter bin



Item 2502

Item 2504

• Stainless steel or brass litter bin with ashtray mesh top



Item 2506

Item 2508

Item 2510

Item 2512

Item	Description	Max dim. (cm)	Kg	cm	Kg
2502	Stainless steel	ø 20x58	3	M 23x23x65	4
2504	Brass	ø 20x58	3	M 23x23x65	4
2506	Stainless steel	ø 20x60	3	M 23x23x65	4
2508	Brass	ø 20x60	3	M 23x23x65	4
2510	Stainless steel	ø 25x69	4	M 28x28x76	5
2512	Brass	ø 25x69	4	M 28x28x76	5

Accessories Description For item

2501S 1 Steel rod bag holder 2510 - 2512



LITTER BINS AND ASHTRAY TOP LITTER BINS

- Ashtray top litter bin - stainless steel or black lacquer metal with stainless steel ashtray grid

370






Item 2530N



Item 2531

Item	Description	Max dim. (cm)	 Kg		 cm	 Kg
2530N	Black lacquer	ø 25x62	4	M	28x28x76	5
2531	Stainless steel	ø 25x62	4	M	28x28x76	5

Accessories		Description	For item	
2532	1	Steel rod bag holder	All	 1

- Ashtray top litter bin - stainless steel or charcoal/ semi-gloss black lacquer metal
- Fire-safe inner liner and stainless steel ashtray grid

Self-extinguishing




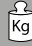






Item 2612

Item 2613

Item 2614

371

Item	Description	Max dim. (cm)	 Kg		 cm	 Kg
2612	Charcoal lacquer	ø 25x80	5	M	28x28x76	6
2613	Semi-gloss black lacquer	ø 25x80	5	M	28x28x76	6
2614	Stainless steel	ø 25x80	5	M	28x28x76	6

Accessories		Description	For item	
2615	1	Steel rod bag holder	All	 1
2616	2	Galvanised steel sheet liner	All	 2

LITTER BINS AND ASHTRAY TOP LITTER BINS

- Stainless steel ashtray top litter bin
- Front stainless steel door depending on model



Item 2521



Item 2523

- Ashtray top litter bin - stainless steel or charcoal/semi-gloss black lacquer metal with mesh top



Item 2617



Item 2618







Item 2619

DISCONTINUED

DISCONTINUED

DISCONTINUED

372

Item	Description	Max dim. (cm)	 Kg	 M	 cm	 Kg
2521	Stainless steel	30x20x70	5	M	33x24x75	6
2523	Stainless steel	30x20x70	5	M	33x24x75	6
2617	Charcoal lacquer	30x20x80	6	M	33x24x85	7
2618	Semi-gloss black lacquer	30x20x80	6	M	33x24x85	7
2619	Stainless steel	30x20x80	6	M	33x24x85	7

Accessories



Description

For item

2620

1

Steel rod bag holder

DISCONTINUED



1

- Column ashtray - stainless steel or charcoal/ semi-gloss black lacquer metal
- Grid top with knob



Item 2621



Item 2622



Item 2623

- Self-extinguishing column ashtray – satin finished stainless steel or semi-gloss black lacquer metal
- Inner ash bin

DISCONTINUED
all the items

Self-extinguishing



Item 2702



Item 2704

Inner ash bin



Item	Description	Max dim. (cm)	Kg		cm	Kg
2621	Charcoal lacquer	ø 30x70	8	M	33x33x74	9
2622	Semi-gloss black lacquer	ø 30x70	8	M	33x33x74	9
2623	Stainless steel	ø 30x70	8	M	33x33x74	9
2702	Stainless steel, satin finish	ø 30x110	9	M	37x36x83	10
2704	Semi-gloss black lacquer	ø 30x110	9	M	37x36x83	10

Accessories Description For item

2706 1 Galvanised steel theft proof chain - 2m long 2702 - 2704



CYLINDER ASHTRAYS

- Stainless steel or black painted steel column ashtray
- Inner stainless steel bin with handle
- Lockable
- Plastic feet
- Can be bolted to the ground

Inner ash bin



Lockable







Item 2701



Item 2703

374



Item	Description	Capacity (L)	Max dim. (cm)			 cm	
2701	Stainless steel	4	ø 30x101	2	M	31x80x16	5
2703	Black painted	4	ø 30x101	2.5	M	31x80x16	5.5

- Wall-mounted ashtray - stainless steel or charcoal/black lacquer metal



Item 2712



Item 2714



Item 2716

- Wall-mounted ashtray - stainless steel or white/black lacquer metal
- Tilting black-painted grid top



Item 2724



- Wall-mounted ashtray - stainless steel or powder coated steel
- Tilting self-extinguishing top

Self-extinguishing





Item 2729I



Item 2729



Item 2729R

Item	Description	Max dim. (cm)	Kg		 cm	Kg
2712	Stainless steel	ø 20x14	1	M	22x22x16	15
2714	Charcoal lacquer	ø 20x14	1	M	22x22x16	15
2716	Black lacquer	ø 20x14	1	M	22x22x16	15
2724	Stainless steel	ø 15x16	1	M	18x17x18	15
2726	White lacquer	ø 15x16	1	M	18x17x18	15
2728	Black lacquer	ø 15x16	1	M	18x17x18	15
2729I	Stainless steel	ø 16x14	15	M	17x17x19	2
2729	Dappled silver coated	ø 16x14	15	M	17x17x19	2
2729R	Red painted	ø 16x14	15	M	17x17x19	2

UMBRELLA STANDS

- Round or square umbrella stand -
satin finished stainless steel or black lacquer metal



Item 2771



Item 2760



Item 2761

376

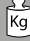



- Perforated umbrella stand –
stainless steel or matt black lacquer metal



Item 2780



Item 2780N

Item	Description	Max dim. (cm)			 cm	
2771	Stainless steel, satin finish	25x25x50	3	M	28x28x53	4
2760	Stainless steel, satin finish	24x24x49	3	M	28x28x53	4
2761	Black lacquer	24x24x49	3	M	28x28x53	4
2780	Stainless steel	ø 25x50	2	M	28x28x53	3
2780N	Matt black lacquer	ø 25x50	2	M	28x28x53	3

- Triangular-shaped embossed umbrella stand - stainless steel or aluminum grey/matt black lacquer metal



Item 2776



Item 2776N

DISCONTINUED
all the items



- Burnt copper umbrella stand
- Watertight
- Antioxidant transparent varnish



Item 2626



Leak-proof bottom

Item	Description	Max dim. (cm)	Kg	  cm	Kg
2776	Stainless steel	27(side)x50	2	M 28x28x53	3
2776G	Aluminum grey lacquer	27(side)x50	2	M 28x28x53	3
2776N	Matt black lacquer	27(side)x50	2	M 28x28x53	3
2626	Burnt copper with brass edges	ø 23x48	15	M 26x25x54	3

PAPER TOWEL DISPENSERS

- Wall-mounted vertical paper towel dispenser with internal unwinding
- satin finished stainless steel

Item 2604



378

- Wall-mounted horizontal paper towel dispenser
- satin finished stainless steel

Item 2608



Item	Max dim. (cm)	 Kg		 cm	 Kg
2604	ø 25x32	3	M	28x28x40	4
2608	ø 30x33	3	M	28x28x40	4

- Wall-mounted paper towel roll holder
- stainless steel



Item 2603

- Floor standing paper towel roll holder
- stainless steel



Item 2609

379

Item			 cm	
2603	1	M	41x20x29	2
2609	3	M	53x20x80	4

11

HANDLING, STORAGE,
PLATFORM TRUCKS
AND ROLL CAGES



ROLL CAGES

- Roll cage comprising a wheeled bottom platform and two side frames
- Comes standard with two retention straps
- Bright zinc electroplated tubular frame and reinforcing bars
- Polypropylene castors, ø 10.6cm - two swivel (red) and two fixed (black)



Item 1812



Item 1812 + A18122 + A18123

382

Item	Description	Max dim. (cm)
1812	1 platform + 2 side frames + 2 straps	72x81x180
Accessories	Description	For item
A18121	Nylon strap	1812
A18122	Rear wall	1812
A18123	Front opening 2/3	1812
A18124	Central shelf	1812

- Full security, nestable roll cage comprising a wheeled bottom platform, three side frames, a front door and a roof
- Bright zinc chromate electroplated tubular frame and reinforcing bars
- The hinged frames can be folded for ease of storage
- Door opening to 270°
- Anti-theft wire mesh
- Polypropylene castors, ø 10.6cm - two swivel and two rigid



Item 1814 + A18141



Item	Description	Max dim. (cm)
1814	1 platform +3 side frames + 1 front door + 1 roof	72x83x170

Accessories	Description	For item
A18141	Detachable central shelf	1814

ROLL CAGES

- Roll cage comprising a wheeled bottom platform, two side frames and one retention strap
- Bright zinc electroplated tubular frame and reinforcing bars
- Polypropylene castors, ø 10.6cm - two swivel (red) and two fixed (black)



384



Item 1826 + A18263



Item 1826 + A18263 + A18264

Item	Description	Max dim. (cm)
1826	1 platform + 2 side frames + 1 strap	120x81x180
Accessories	Description	For item
A18261	Central shelf	1826
A18262	Nylon strap	1826
A18263	Rear wall	1826
A18264	Front opening 2/3	1826


- Roll cage comprising a wheeled bottom platform and three rigid side frames
- Welded stainless steel construction
- Central shelf depending on model
- Swivel castors, ø cm 16, 2 with brake



Item 1832

385

Item	Description	Max dim. (cm)
1832	1 platform + 3 side frames	145x65x198
1833	1 platform + 3 side frames + 1 central shelf	145x65x198

Options	Description	For item	
SE270	1 Set with 4 resilient castors (2 with brake)	1832 - 1833	 1

POLYETHYLENE PLATFORM TRUCKS

- Polyethyelene base
- Fixed or folding handle in stainless steel tube
- Two fixed and two swivel castors, ø 14cm



Note: suitable for outdoor use

386



Item 1840

Item	Description	Max dim. (cm)
1840	Stainless steel rigid round tube handle, ø 2.5cm	107x57x97
1841	Stainless steel folding square tube handle, 2.5x2.5cm	95x57x87
1842	Without push handle	92x57x27



Item 1841



Item 1841 with handle in folded position



Item 1842

387

Accessories	Description	For item
A0121	Extra handle	1840 - 1842

Options	Description	For item
S1250	1 Set with 2 braked castors	All



1

STAINLESS STEEL PLATFORM TRUCKS

- AISI 304 stainless steel sheet platform
- Stainless steel tube handle
- Two fixed and two swivel castors, ø 14cm



388



Item 1895



Item 1897 + S1250

Item	Description	Platform dimensions	Max dim. (cm)
1895	1 push handle	60x60	60x70x97
1896	1 push handle	60x80	60x90x97
1897	1 push handle	60x100	60x110x97

Options	Description	For item
S1250	1 Set with 2 braked castors	All



- AISI 304 stainless steel sheet platform
- Two stainless steel tube handles
- Two fixed and two swivel castors, ø 14cm



Item 1897M2 + S1250

389

Item	Description	Platform dimensions	Max dim. (cm)
1895M2	2 push handles	60x60	60x80x97
1896M2	2 push handles	60x80	60x100x97
1897M2	2 push handles	60x100	60x120x97

Options	Description	For item
S1250	1 Set with 2 braked castors	All



MESH PLATFORM TRUCKS

- Bright zinc electroplated steel mesh platform
- Red polypropylene swivel castors, \varnothing 10.6cm



Item 1838

390



Item 1836

Item	Max dim. (cm)
1836	62x41x16
1838	96x55x16

- Hand truck for box handling
- Tubular frame with red painted steel sheet base
- Pneumatic wheels, \varnothing 26cm



Item 1891

391

Item

Max dim. (cm)

1891

62x55x126

CHANGING ROOM LOCKERS

- AISI 430 stainless steel sheet uniform locker
- Sloping top to reduce dust build-up
- Central partition with coat hooks for separate storage of work wear and daily wear
- Top hat shelf
- Double lower compartment for work and daily shoes
- Hinged door with lock
- Adjustable feet



Item 9440



Item 9444

392

Item	Description	Max dim. (cm)
9440	Single locker	50x40x215
9442	Two-person lockers	95x40x215
9444	Four-person lockers	95x40x215

- AISI 430 stainless steel sheet uniform locker
- Sloping top to reduce dust build-up
- Central partition with three adjustable storage shelves
- Hinged door with lock
- Adjustable feet



Item 9460

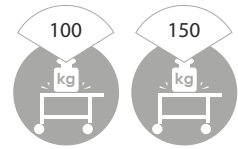


Item 9462

Item	Description	Max dim. (cm)
9460	One door	50x40x215
9462	Two doors	95x40x215

MODULAR SHELVING SYSTEMS

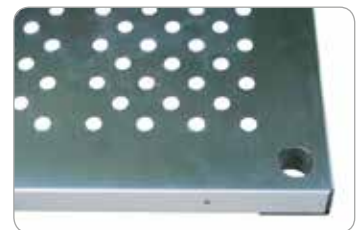
- Stainless steel round posts, \varnothing 3cm, with notches every 10 cm for easy shelf placement
- Solid or vented shelves in stainless steel sheet with plastic angle supports and safety edges to eliminate sharpness
- Adjustable level feet
- Normal shelves: 100 kg/m load capacity
- Reinforced shelves: 150 kg/m load capacity
- Shelves for continuous run systems: 100 kg/m load capacity
- Hooks for continuous runs of shelving and L-shaped shelving units



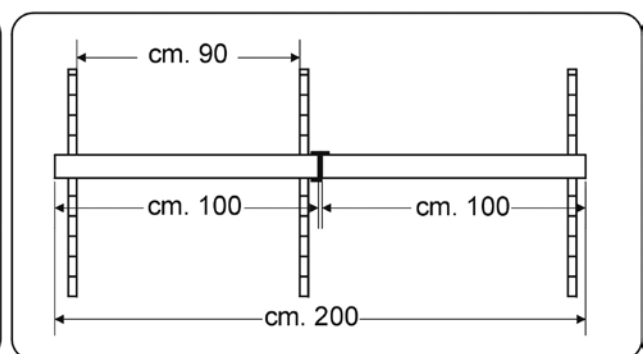
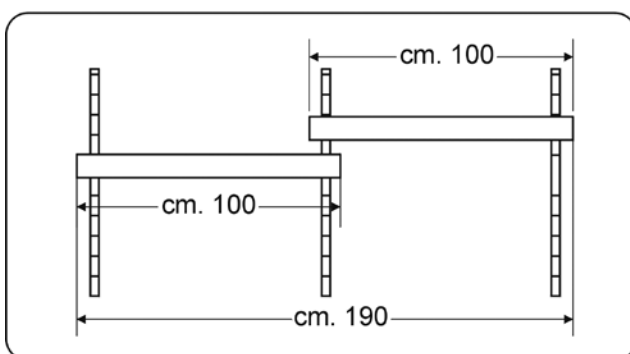
Note: made-to-measure shelving available upon request



Solid shelf



Vented shelf



SOLID shelves - Capacity 100 kg/m	
Item	Max dim. (cm)
PLI3080	80x30
PLI3090	90x30
PLI30100	100x30
PLI30110	110x30
PLI30120	120x30
PLI4080	80x40
PLI4090	90x40
PLI40100	100x40
PLI40110	110x40
PLI40120	120x40
PLI5080	80x50
PLI5090	90x50
PLI50100	100x50
PLI50110	110x50
PLI50120	120x50
PLI6080	80x60
PLI6090	90x60
PLI60100	100x60

VENTED shelves - Capacity 100 kg/m	
Item	Max dim. (cm)
PAI3080	80x30
PAI3090	90x30
PAI30100	100x30
PAI30110	110x30
PAI30120	120x30
PAI4080	80x40
PAI4090	90x40
PAI40100	100x40
PAI40110	110x40
PAI40120	120x40
PAI5080	80x50
PAI5090	90x50
PAI50100	100x50
PAI50110	110x50
PAI50120	120x50
PAI6080	80x60
PAI6090	90x60
PAI60100	100x60

Round posts, ø 3cm - Adjustable feet	
Item	Max dim. (cm)
MT075	75
MT150	150
MT180	180
MT200	200

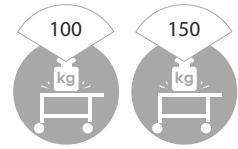
Accessories	
Item	Description
PAG001	Hooks

Reinforced SOLID shelves - Cap. 150 kg/m	
Item	Max dim. (cm)
PLIR30100	100x30
PLIR30110	110x30
PLIR30120	120x30
PLIR30130	130x30
PLIR30140	140x30
PLIR40100	100x40
PLIR40110	110x40
PLIR40120	120x40
PLIR40130	130x40
PLIR40140	140x40
PLIR50100	100x50
PLIR50110	110x50
PLIR50120	120x50
PLIR50130	130x50
PLIR50140	140x50
PLIR60100	100x60
PLIR60110	110x60
PLIR60120	120x60
PLIR60130	130x60
PLIR60140	140x60

Reinforced VENTED shelves - Cap. 150 kg/m	
Item	Max dim. (cm)
PAIR30100	100x30
PAIR30110	110x30
PAIR30120	120x30
PAIR30130	130x30
PAIR30140	140x30
PAIR40100	100x40
PAIR40110	110x40
PAIR40120	120x40
PAIR40130	130x40
PAIR40140	140x40
PAIR50100	100x50
PAIR50110	110x50
PAIR50120	120x50
PAIR50130	130x50
PAIR50140	140x50
PAIR60100	100x60
PAIR60110	110x60
PAIR60120	120x60
PAIR60130	130x60
PAIR60140	140x60

MODULAR SHELVING SYSTEMS

- Stainless steel sheet L-shaped posts, 3.5x3.5cm
- Solid or vented shelves in stainless steel sheet with safety edges to eliminate sharpness
- Stainless steel bolts standard supplied
- Adjustable feet supplied on request
- Normal shelves: 100 kg/m load capacity
- Reinforced shelves: 150 kg/m load capacity



Note: made-to-measure shelving available upon request



SOLID shelves - Capacity 100 kg/m	
Item	Max dim. (cm)
PLB3080	80x30
PLB3090	90x30
PLB30100	100x30
PLB30110	110x30
PLB30120	120x30
PLB4080	80x40
PLB4090	90x40
PLB40100	100x40
PLB40110	110x40
PLB40120	120x40
PLB5080	80x50
PLB5090	90x50
PLB50100	100x50
PLB50110	110x50
PLB50120	120x50
PLB6080	80x60
PLB6090	90x60
PLB60100	100x60
PLB60110	110x60
PLB60120	120x60

VENTED shelves - Capacity 100 kg/m	
Item	Max dim. (cm)
PAB3080	80x30
PAB3090	90x30
PAB30100	100x30
PAB30110	110x30
PAB30120	120x30
PAB4080	80x40
PAB4090	90x40
PAB40100	100x40
PAB40110	110x40
PAB40120	120x40
PAB5080	80x50
PAB5090	90x50
PAB50100	100x50
PAB50110	110x50
PAB50120	120x50
PAB6080	80x60
PAB6090	90x60
PAB60100	100x60
PAB60110	110x60
PAB60120	120x60

L-shaped posts, 3.5x3.5 cm	
Item	Max dim. (cm)
MA100	100
MA130	130
MA150	150
MA180	180
MA200	200

Accessories	
Item	Description
PR001	Adjustable foot




















Reinforced SOLID shelves - Cap. 150 kg/m	
Item	Max dim. (cm)
PLBR30100	100x30
PLBR30110	110x30
PLBR30120	120x30
PLBR30130	130x30
PLBR30140	140x30
PLBR40100	100x40
PLBR40110	110x40
PLBR40120	120x40
PLBR40130	130x40
PLBR40140	140x40
PLBR50100	100x50
PLBR50110	110x50
PLBR50120	120x50
PLBR50130	130x50
PLBR50140	140x50
PLBR60100	100x60
PLBR60110	110x60
PLBR60120	120x60
PLBR60130	130x60
PLBR60140	140x60




















Reinforced VENTED shelves - Cap. 150 kg/m	
Item	Max dim. (cm)
PABR30100	100x30
PABR30110	110x30
PABR30120	120x30
PABR30130	130x30
PABR30140	140x30
PABR40100	100x40
PABR40110	110x40
PABR40120	120x40
PABR40130	130x40
PABR40140	140x40
PABR50100	100x50
PABR50110	110x50
PABR50120	120x50
PABR50130	130x50
PABR50140	140x50
PABR60100	100x60
PABR60110	110x60
PABR60120	120x60
PABR60130	130x60
PABR60140	140x60

















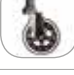




SPARE PARTS




















CASTORS/WHEELS

Wheel ø cm			Finish		Mount Type	Part no.
5	swivel		chrome-plated		Bracket	 005000500001
8	swivel		chrome-plated		Bracket 4.5x4.5	 005000800001
8	swivel	brake	chrome-plated		Bracket 4.5x4.5	 005000800002
9.5	swivel		chrome-plated		Thread M10x15	 005100950003
9.5	swivel	brake	chrome-plated		Thread M10x15	 005100950006
9.5	swivel		chrome-plated		Stem 20x20	 005150950001
9.5	swivel	brake	chrome-plated		Stem 20x20	 005150950002
9.5	swivel		brass-plated		Thread M10x20	 005100950002
9.5	swivel	brake	brass-plated		Thread M10x20	 005100950005
10	swivel		chrome-plated		Thread M10x20	 005101000001
10	swivel	brake	chrome-plated		Thread M10x20	 005101000004
10	swivel		chrome-plated		Thread M10x20	 005101000003
10	swivel	brake	chrome-plated		Thread M10x20	 005101000002
10	swivel		chrome-plated	ball bearings	Hole	 005251000001
10	swivel	brake	chrome-plated	ball bearings	Hole	 005251000002
10	swivel		chrome-plated	ball bearings	Thread M10x20	 005101000006
10	swivel	brake	chrome-plated	Ball bearings	Thread M10x20	 005101000007
12.5	swivel		PVC		Thread M10x20	 005101250008
12.5	swivel	brake	PVC		Thread M10x20	 005101250007

Wheel ø cm		Finish			Mount Type	Part no.	
12.5	swivel		PVC		Thread M10x40	 005101250009	
12.5	swivel	brake	PVC		Thread M10x40	 005101250010	
12.5	swivel		PVC		Thread M10x90	 005101250011	
12.5	swivel	brake	PVC		Thread M10x90	 005101250012	
12.5	swivel		PVC		Stem ø 25	 005201250018	
12.5	swivel	brake	PVC		Stem ø 25	 005201250019	
12.5	swivel		galvanised		Stem 25x25	 005201250001	
12.5	swivel	brake	galvanised		Stem 25x25	 005201250002	
12.5	swivel		PVC		Bracket 7x5	 005001250014	
12.5	swivel	brake	PVC		Bracket 7x5	 005001250015	
12.5	fixed	resilient	galvanised	ball bearings	Bracket 8x6	 005051250006	
12.5	swivel	resilient	galvanised	ball bearings	Bracket 8x6	 005001250016	
12.5	swivel	brake	resilient	galvanised	ball bearings	Bracket 8x6	 005001250017
12.5	swivel		galvanised		Thread M10x20	 005101250001	
12.5	swivel	brake	galvanised		Thread M10x20	 005101250002	
12.5	swivel		galvanised		Stem 20x20	 005151250001	
12.5	swivel	brake	galvanised		Stem 20x20	 005151250002	
12.5	swivel		galvanised		Stem ø 25	 005151250001	
12.5	swivel	brake	galvanised		Stem ø 25	 005151250002	

CASTORS/WHEELS

Wheel ø cm			Finish		Mount Type	Part no.	
12.5	swivel		galvanised		Stem 25x25	 005201250001	
12.5	swivel	brake	galvanised		Stem 25x25	 005201250002	
12.5	swivel		nylon + poly_urethane	stainless steel	Hole	 005251250038	
12.5	swivel	brake	nylon + poly_urethane	stainless steel	Hole	 005251250039	
12.5	swivel		resilient	chrome-plated	ball bearings	Hole	 005251250032
12.5	swivel	brake	resilient	chrome-plated	ball bearings	Hole	 005251250033
12.5	swivel		resilient	chrome-plated	ball bearings	Thread M10x40	 005101250013
12.5	swivel	brake	resilient	chrome-plated	ball bearings	Thread M10x40	 005101250014
402	12.5	swivel	resilient	chrome-plated	ball bearings	Thread M10x90	 005101250015
12.5	swivel	brake	resilient	chrome-plated	ball bearings	Thread M10x90	 005101250016
12.5	swivel		resilient	chrome-plated	ball bearings	Stem 20x20	 005201250023
12.5	swivel	brake	resilient	chrome-plated	ball bearings	Stem 20x20	 005201250022
12.5	swivel		resilient	chrome-plated	ball bearings	Stem ø 25	 005201250014
12.5	swivel	brake	resilient	chrome-plated	ball bearings	Stem ø 25	 005201250015
12.5	swivel		resilient	chrome-plated	ball bearings	Stem 25x25	 005201250017
12.5	swivel	brake	resilient	chrome-plated	ball bearings	Stem 25x25	 005201250016
14	fixed		galvanised		Bracket 8x6	 005051400001	
14	swivel		galvanised		Bracket 8x6	 005001400001	
14	swivel	brake	galvanised		Bracket 8x6	 005001400002	

Wheel ø cm		Finish		Mount Type		Part no.
15	fixed		chrome-plated	Ball bearings	Bracket 7x5	 005051500001
15	swivel		chrome-plated	ball bearings	Bracket 7x5	 005001500003
15	swivel	brake	chrome-plated	ball bearings	Bracket 7x5	 005001500004
16	fixed		brass-plated		Bracket 10.5x8	 005051600003
16	swivel	brake	brass-plated		Bracket 10.5x8	 005001600005
16	fixed		galvanised		Bracket 10.5x8	 005051600002
16	swivel		galvanised		Bracket 10.5x8	 005001600004
16	swivel	brake	galvanised		Bracket 10.5x8	 005001600002
16	fixed		galvanised	roller bearings	Bracket 10.5x8	 005051600004
16	swivel		galvanised	roller bearings	Bracket 10.5x8	 005001600007
16	swivel	brake	galvanised	roller bearings	Bracket 10.5x8	 005001600006
16	fixed	resilient	galvanised	ball bearings	Bracket 10.5x8	 005051600005
16	swivel	resilient	galvanised	ball bearings	Bracket 10.5x8	 005001600010
16	swivel	brake	resilient	galvanised ball bearings	Bracket 10.5x8	 005001600011
20	fixed		galvanised	ball bearings	Bracket 10.5x8	 005052000007
20	swivel	integral brake	galvanised	ball bearings	Bracket 10.5x8	 005002000014
20					Hole 2 cm	 005302000002
20	fixed	tyre	galvanised	roller bearings	Bracket 10.5x8	 005052000009
20	swivel	tyre	galvanised	roller bearings	Bracket 10.5x8	 005002000017

DOMES

Description

Part no.

1/1GN semi-cylindrical dome

233004250008

Roll-top system for 1/1GN semi-cylindrical dome

233004250009



Complete semi-cylindrical dome 66x515x26h cm

433004200007

Right side

233004200001

Left side

233004200004

Inner roll-top

233004200018

Outer roll-top

233004200017

Complete semi-cylindrical dome 90x515x26h cm

433004200002

Right side

233004200001

Left side

233004200004

Inner roll-top

233004200006

Outer roll-top

233004200005

Complete semi-cylindrical dome 101x515x26h cm

433004200008

Right side

233004200001

Left side

233004200004

Inner roll-top

233004200020

Outer roll-top

233004200019



Description	Part no.
Complete semi-cylindrical dome 69x63x32h cm	433004200018
Right side	233004200010
Left side	233004200009
Inner roll-top	233004200051
Outer roll-top	233004200050
Complete semi-cylindrical dome 101x63x32h cm	433004200017
Right side	233004200010
Left side	233004200009
Inner roll-top	233004200044
Outer roll-top	233004200043
Complete semi-cylindrical dome 149x63x32h cm	433004200014
Right side	233004200010
Left side	233004200009
Inner roll-top	233004200036
Outer roll-top	233004200035



Rectangular dome with hinged opening c/w hardware 90x44x14h cm	433004240002
Rectangular dome with hinged opening c/w hardware 90x50x14h cm	433004250001



DOMES

Description	Part no.
Front opening dome 69x63x33h cm	433004200019
Right side	233004200039
Left side	233004200037
Roll-top	233004200050
Back panel	233004200047
Wooden shelf, oak stained	233004200048
Wooden shelf, wenge stained	233004200049
Front opening dome 101x63x33h cm	433004200015
Right side	233004200039
Left side	233004200037
Roll-top	233004200043
Back panel	233004200038
Wooden shelf, oak stained	233004200040
Wooden shelf, wenge stained	233004200046
406 Front opening dome 149x63x33h cm	433004200016
Right side	233004200039
Left side	233004200037
Roll-top	233004200035
Back panel	233004200041
Wooden shelf, oak stained	233004200042
Wooden shelf, wenge stained	233004200045



Description

Part no.

Complete dome for series 6670

433004210005

Sliding rounded front part

333004210001

Fixed back panel

333004210003

Fixed back with LED housing

333004210004

Glass shelf

233004210007



SNEEZE GUARDS

Description	Part no.
Acrylic cutlery holder cover door	232201800002
Right tempered glass door with handle	232000840006
Left tempered glass door	232000840005
Hinge	001754140004
Hinge mounting plate	001754140005



408

Front vertical tempered glass sneeze guard - 2x1/1GN	231101800034
Front vertical tempered glass sneeze guard - 3x1/1GN	231101800030
Front vertical tempered glass sneeze guard - 4x1/1GN	231101800032
Top curved tempered glass sneeze guard - 2x1/1GN	231101800033
Top curved tempered glass sneeze guard - 3x1/1GN	231101800029
Top curved tempered glass sneeze guard - 4x1/1GN	231101800031
Sneeze guard right shelf support	231101680022
Sneeze guard left shelf support	231101680023



Description	Part no.
Acrylic buffet sneeze guard - 2x1/1GN	233004200032
Acrylic buffet sneeze guard - 3x1/1GN	233004200031
Acrylic buffet sneeze guard - 4x1/1GN	233004200030
Acrylic buffet sneeze guard - 5x1/1GN	233004200033
Acrylic buffet sneeze guard - 6x1/1GN	233004200034



RH-LH side tempered glass buffet sneeze guard - 2x1/1GN	231304220011
RH-LH side tempered glass buffet sneeze guard - 3x1/1GN	231304220010
RH-LH side tempered glass buffet sneeze guard - 4x1/1GN	231304220002
RH-LH side tempered glass buffet sneeze guard - 5x1/1GN	231304220009
RH-LH side tempered glass buffet sneeze guard - 6x1/1GN	231304220008
Central tempered glass buffet sneeze guard - 2x1/1GN	231304220007
Central tempered glass buffet sneeze guard - 3x1/1GN	231304220006
Central tempered glass buffet sneeze guard - 4x1/1GN	231304220001
Central tempered glass buffet sneeze guard - 5x1/1GN	231304220005
Central tempered glass buffet sneeze guard - 6x1/1GN	231304220004
RH-LH vertical lift-up mechanism for buffet sneeze guard	231304220003
Central lift-up mechanism for buffet sneeze guard	231304220012



ELECTRICAL COMPONENTS

Description	Part no.
Square double pole switch, green	003252060001
Round double pole switch, green	003252040002
Square switch protection	003252060002
Round switch protection	003252040003
Digital thermostat +30°C +90°C	003201840005
Digital thermostat -35°C +35°C	003201840004
2m silicone probe for thermostat +30°C +90°C	003201860004
Probe for thermostat -35°C +35°C	003201860005
Adjustable mechanical thermostat +30°C +90°C	003201820001
Adjustable mechanical thermostat -35°C +35°C	003201820002
Thermometer -40°C +40°C, 4cm diameter	003703820002
Thermometer 0°C +120°C, 5.2cm diameter	003703820003
Red warning light 220V	003302260001
Power cable with Schuko plug	003553260002
3-pole male chassis connector	003553300001
Coiled power cable - 3m long, cross-section 3x15 - Schuko plug	003553280001
Coiled power cable - 3m long, cross-section 3x2.5 - w/o plug	003553280004
Power plug 2P+GND 6h/250V - 16A - IP67 (IEC 309)	003553320001
Porcelain lamp holder	003151620001
250W infrared lamp, colour: red	003151620002
250W infrared lamp, colour: white	003151620004
Fluorescent tube - 60cm long	003151630003
Fluorescent tube - 90cm long	003151630002
Fluorescent tube - 120cm long	003151630001
Fluorescent tube - 150cm long	003151630004
Compressor unit 1/8-R134A	431304440002
Compressor unit 1/5-R404A-R507	431304440001
1/2" ball valve	002001020001
3/8" ball valve	002001020002

Description	Part no.
Adhesive aluminum foil tape, price per sq.m.	021200750003
Wire-wound heating element - 230V-250W - 4m long	003001040018
Wire-wound heating element - 230V-300W - 6m long	003001040019
Wire-wound heating element - 230V-450W - 8m long	003001040020
Wire-wound heating element - 230V-600W - 10m long	003001040021
Wire-wound heating element - 230V-750W - 12m long	003001040022
Wire-wound heating element - 230V-350W - 4m long	003001040023
Wire-wound heating element - 230V-650W - 8m long	003001040024
Wire-wound heating element - 230V-1000W - 12m long	003001040025
Wire-wound heating element - 230V-1300W - 15m long	003001040026
Bain-Marie immersion heating element - 230V-1950W	003001020002
Bain-Marie immersion L-shaped heating element - 230V-2000W	003001020001
Foil heating element for Bain-Marie - 230V-600W	003001070002
Foil heating element for dry heat - 230V-250W	003001080003
230V-500W heating element w/o power cable	003001040010
Stainless steel tube heating element - 230V- 400W w/o power cable	003001040002
Stainless steel tube heating element - 230V- 800W w/o power cable	003001040030
Stainless steel tube heating element - 230V-1400W w/o power cable	003001040005
Stainless steel tube heating element - 230V-1800W w/o power cable	003001040004
Ventilated oven heating element - 230V-1600W	003001040017
Ventilated oven heating element - 230V-2050W	003001040016
Powered fan for cupboard heating element	003653640002
Cooling fan	003653640003
Grey PVC ring buffer, 2.5cm ø round hole	233004680005
Grey PVC ring buffer, 2x2cm square hole	233004680003
Grey PVC ring buffer, 2.5x2.5cm square hole	233004680011
Grey PVC corner bumper	233004680002
Grey PVC corner bumper with fitting	233004680001
Grey PVC rubber trim, price per metre	021200650001
Grey rubber buffer	233004680028
Door seal in silicone elastomer suitable for food contact, price per metre	021200850001

MISCELLANEOUS

Description	Part no.
2-burner hob	009540650001
1-burner hob	009540650002
Gas supply pipe	002503020003
Lid, ø 28cm	009580760004
Container, ø 28x27x1cm, with spigot	009580760001
Complete support for container with spigot	431604440001
3/4" tap complete with nozzle	002503100002
PVC product tray	233002520002
Cutlery drawer, black PVC	233006120001
Snap closure handle, with lock	001703900003
Snap closure handle	001703900001
Knob handle with lock, complete with bars and hardware	001703930002
10 place self-service support, chrome-plated iron	233005280002
12 place self-service support, chrome-plated iron	233005280001
10 place tray support, stainless steel wire, 520	233005280007
10 place tray support, stainless steel wire, 620	233005280008
30 plate draining rack, stainless steel	233005280036
36 plate draining rack, stainless steel	233005280037
20 plate draining rack, stainless steel	233005280011
Wire rack, white Rilsan plastic coated	233005280018
Divider for wire rack, white Rilsan plastic coated	233005280019
48-plate holder, white Rilsan plastic coated, ø 24-31cm	233005280010
48-plate holder, white Rilsan plastic coated, ø 18-24cm	233005280009
24-plate holder, white Rilsan plastic coated, ø 24-31cm	233005280041
24-plate holder, white Rilsan plastic coated, ø 18-24cm	233005280040
Grey ABS drip tray, 78.5x58.5x8cm	233002520004
Grey ABS drip tray, 93.5x58.5x8cm	233002520007

Description	Part no.
Canvas bag	R0010
Canvas bag	R0015
Canvas bag	R0020
Canvas bag	R0030
Canvas bag	R0040
Canvas bag	R0050
Canvas bag	R0080
Canvas bag	R0085
Canvas bag	R0296



ORDERS

Placing an order implies full acceptance of these sales terms and conditions, to which NO exception whatsoever is permitted, unless expressly agreed in writing. Orders passed to intermediaries and sales agents will be accepted by us with the specific clause "subject to the selling company's approval".

PRICES

The prices indicated on this price list are ex-works and net of VAT. The company reserves the right to review the prices without prior notice should there prove to be significant changes to the cost of raw materials, labour or other costs of any kind whatsoever. In any case, the final price applicable will be that indicated on the order confirmation. Goods will be packaged in cardboard boxes or palletized cardboard boxes, suitable for the type of product being shipped. Any additional packaging will be charged at cost.

TRANSPORT

Goods travel at the risk of the purchaser, even if sold on free port terms. Therefore, the consignee is responsible for checking the state of the goods at the time of delivery. In the event of any discrepancy, claims should be forwarded to the sender within 24 hours of withdrawal.

Should goods be damaged on arrival, in order to open an insurance claim and ensure the goods are restored, it is essential to comply with the following procedure: write the words "box not intact, goods accepted unchecked" on the delivery note or invoice and on the transport document.

Delivery terms and conditions are not binding in any way, but merely indicative. Any delays that may occur cannot therefore, represent a reason for waiving or modifying the agreements specified on the order nor can they give rise to a claim for damages against the manufacturer.

GUARANTEE

The manufacturer guarantees the goods for a period of 12 months from the date of purchase. The guarantee covers faults due to materials and manufacturing. The guarantee does not cover electrical parts (resistances, thermostats, compressors, lamps, circuit breakers, etc.) or materials subject to wear and tear (wheels, brushes, etc.). Products deemed faulty must be carefully repackaged in their original packaging and shipped to our warehouses on free port terms. Any intervention under guarantee will be carried out exclusively at our premises in Bellaria I.M. (RN), Italy and any goods repaired or replaced will be sent back to the consignee without the application of further costs.

The manufacturer declares that the products illustrated in this catalogue comply with applicable European legislation.

RETURN OF GOODS

In no circumstances will returns be accepted without prior written consent by Metalcarelli. In the event of any returns that are the client's responsibility, in other words returns not attributable to our error, providing they are INTACT and UNUSED and packaged in their original packaging, goods will be accredited by way of a reduction on the purchase price. In no case whatsoever will we accept returns of stainless steel items whose protection has been removed or items specially made to measure.

COMPLAINTS - FAULTS

Complaints and/or claims must be communicated in writing within 8 (eight) days at the very latest of the date of receipt of goods, excluding any transport problems as mentioned above.

PAYMENTS

Payments will not be considered valid unless made directly at the manufacturer's place of business or to one of its representatives that, at the time of receipt, must provide due authorization. Any delays in payment, as well as any other contractual non-fulfilments, will give rise to a suspension of any other supplies; it will also give the manufacturer the right to apply interest on arrears. In the event of any controversy arising, the purchaser does not have any right to delay or refuse payment for goods supplied that has reached maturity. Sales with deferred payment are considered carried out with retention of title by the manufacturer until the balance has been settled.

JURISDICTION

In case of dispute, the only competent court shall be the one of Rimini.

RESERVE CLAUSE

The manufacturer reserves the right to modify, at any time and without prior notice, the dimensions and execution of the products listed in this catalogue. Any illustrations, photos or descriptions included in this catalogue should be considered general indications and do not constitute an exclusive obligation nor do they necessarily correspond to the effective conformation of the products.

Any drawings, illustrations or prints provided by the manufacturer along with a supply offer or contract are covered by the Metalcarelli brand and are to be considered proprietary by law. Therefore, in the event of reproduction, the source must be specified.

The purchaser undertakes not to use any trade names or brands registered by Metalcarelli on its own goods, property or promotional material, unless expressly authorized by the manufacturer.

METALCARRELLI S.R.L.

"Company subject to management and coordination by SO.RI.MET. Srl - Fiscal code 03762700403"

Via A. Gagliani, 10 A - 47814 Bellaria Igea Marina (RN) - Italy

T +39 0541 331627 - F +39 0541 331561 | www.metalcarrelli.com - info@metalcarrelli.com

VAT no. and fiscal code 03249750401